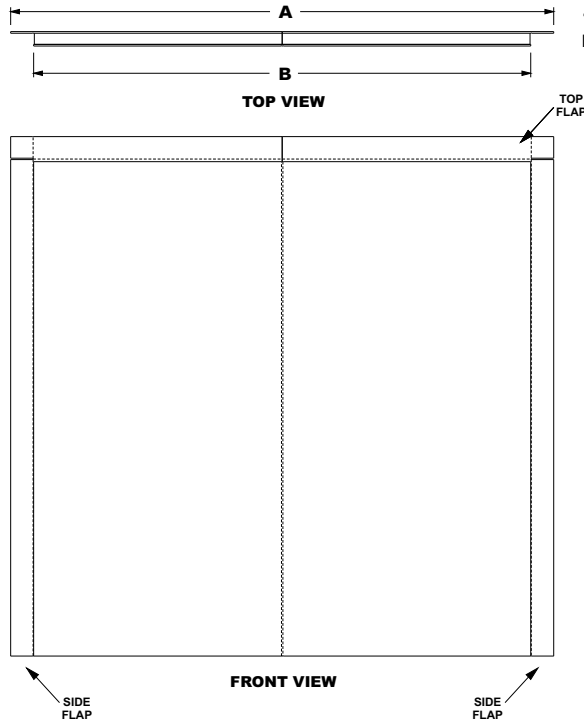


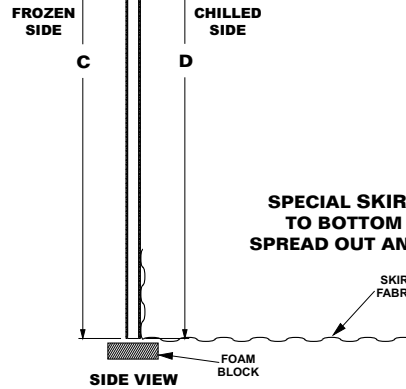
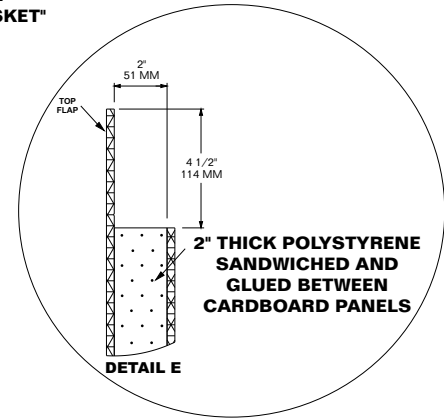
DESIGNED TO DIVIDE A REEFER CONTAINER INTO A FROZEN SECTION AND A CHILLED SECTION. ONE-TIME-USE INEXPENSIVE PRODUCT.

MODEL 7001-1577
MODEL 7001-1677
MODEL 7001-1977



THE TOP FLAP ALLOWS THE BULKHEAD TO BE FIXED IN A 3" HEIGHT RANGE AND TO FORM A "GASKET" FOR A TIGHT FIT

THE SIDE FLAPS ALLOWS THE BULKHEAD TO BE FITTED IN A 6" WIDTH RANGE AND TO FORM A "GASKET" FOR A TIGHT FIT



SPECIAL SKIRT FABRIC IS GLUED TO BOTTOM OF BULKHEAD TO SPREAD OUT ANY LEAKING COLD AIR

FOAM BLOCK 2x4x18" FITS INTO FLOOR GROOVES (36 PCS/PER BULKHEAD)

MODEL	USE FOR	FITS INTERIOR SIZE RANGE	BULKHEAD DIMENSIONS				WEIGHT
			A	B	C	D	
7001-1577	9' 6" HIGH REEFER CONTAINERS	100" - 103" H 90" - 96" W	97.5" 2,477 MM	89.3" 2,267 MM	104.0" 2,642 MM	99.5" 2,527 MM	55.0 LBS 25.0 Kg
7001-1677	45' - 53' REEFER TRAILERS	108" - 111" H 94" - 100" W	101.0" 2,565 MM	92.8" 2,356 MM	112.0" 2,845 MM	107.5" 2,731 MM	65.0 LBS 29.5 Kg
7001-1977	8' 6" HIGH REEFER CONTAINERS	88" - 91" H 90" - 96" W	97.5" 2,477 MM	89.3" 2,267 MM	92.0" 2,337 MM	87.5" 2,223 MM	41.0 LBS 18.6 Kg

THE INFORMATION CONTAINED IN THIS DRAWING IS THE SOLE PROPERTY OF BUFFERS USA, INC. ANY REPRODUCTION IN PART OR WHOLE WITHOUT THE WRITTEN PERMISSION OF BUFFERS USA, INC. IS PROHIBITED.