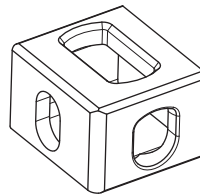
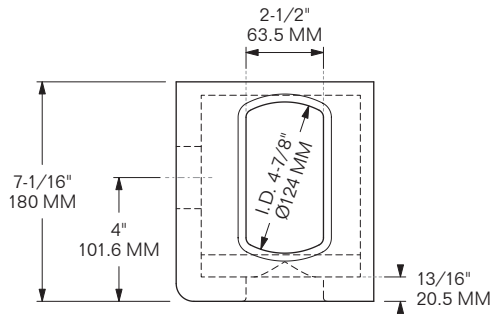
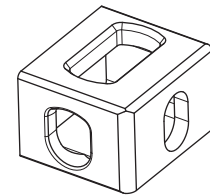


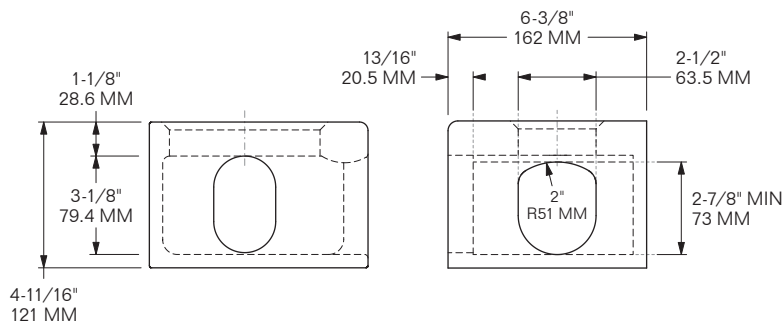
MODEL 6201-1142-TL
MODEL 6201-1142-TR



MODEL 6201-1142-TL
Top Left



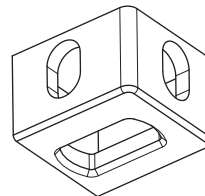
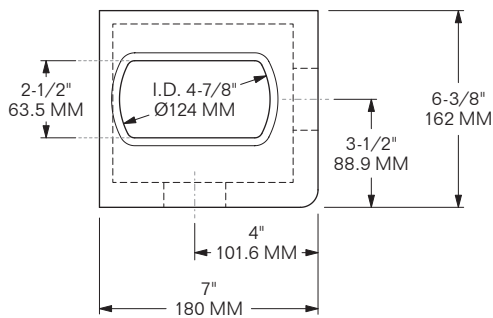
MODEL 6201-1142-TR
Top Right



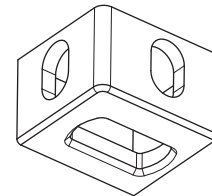
MATERIAL: ALUMINUM
FINISH: AS MACHINED
WEIGHT: 9.9 LBS / 4.5 Kg

- Fabricated from extruded aluminum channels
- Machined on all 6 sides for close tolerance
- Lightweight: 9.9 lbs. per fitting
- Meets all size and strength requirements of ISO 1161

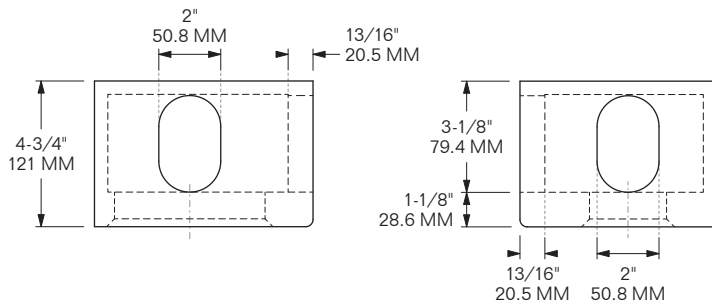
MODEL 6201-1142-BL
MODEL 6201-1142-BR



MODEL 6201-1142-BL
Bottom Left



MODEL 6201-1142-BR
Bottom Right

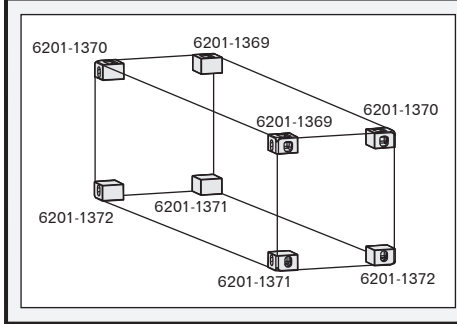
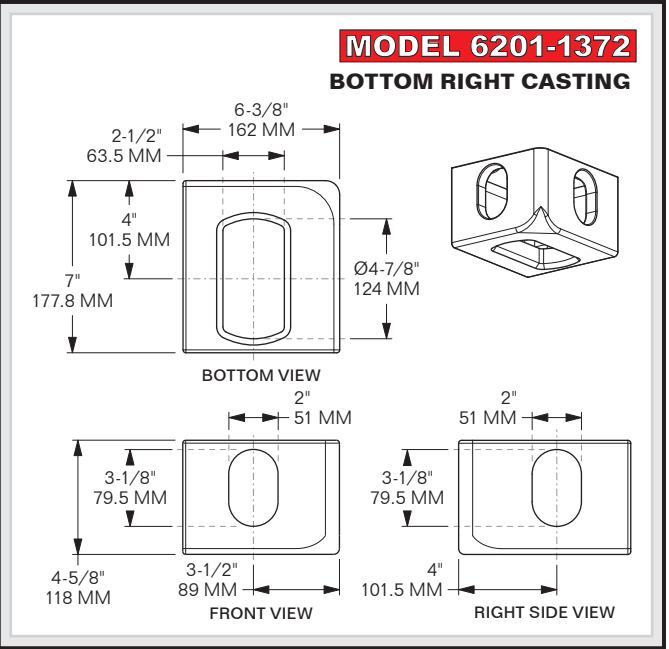
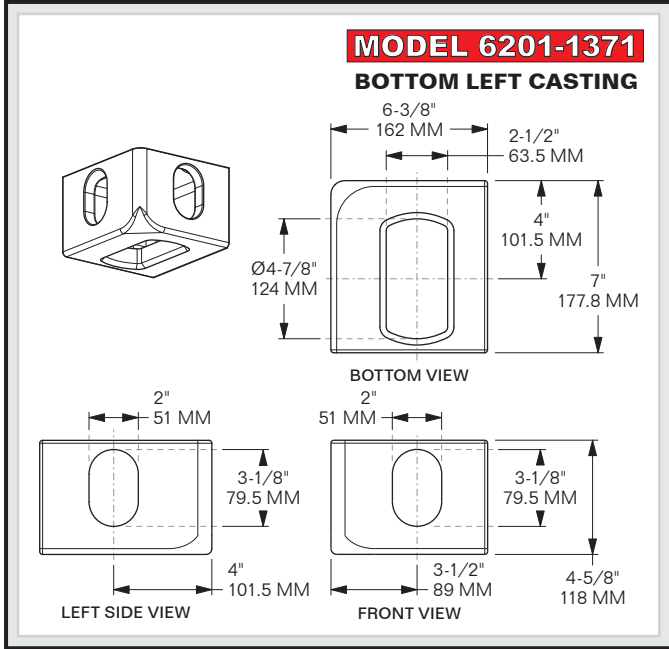
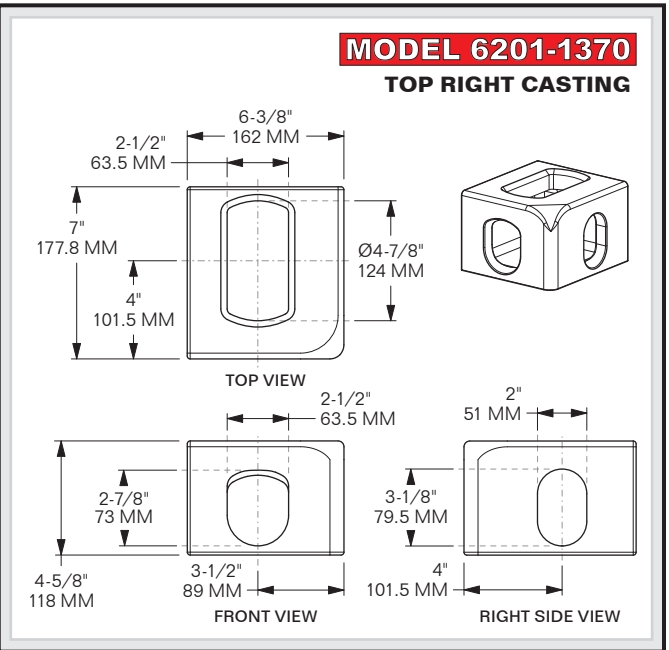
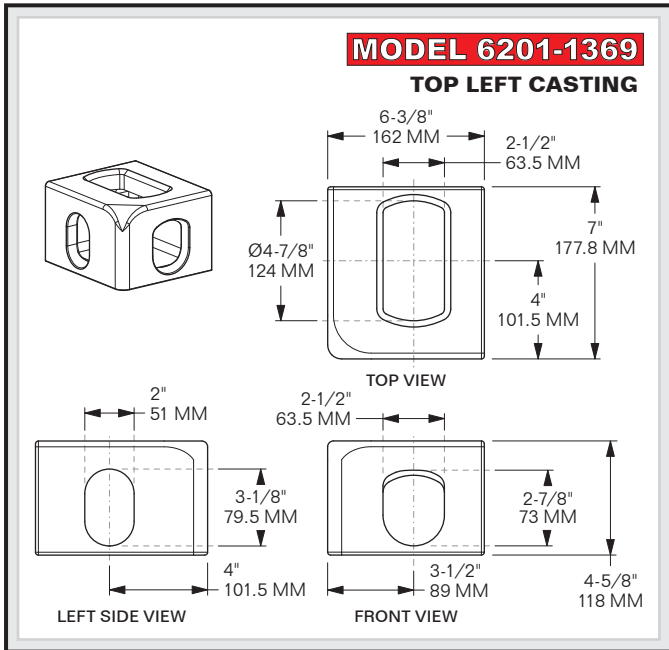


MATERIAL: ALUMINUM
FINISH: AS MACHINED
WEIGHT: 9.9 LBS / 4.5 Kg



ISO CORNER CASTINGS

STD STEEL CASTINGS per ISO 1161
for 96"-WIDE CONTAINERS & FLATRACKS



NOTE: Standard ISO Containers use 8 ea. Corner Castings, consisting of:
 2 pcs. Top Left **MODEL 6201-1369** | **WEIGHT:** 24.8 LBS / 11.25 Kg
 2 pcs. Top Right **MODEL 6201-1370** | **WEIGHT:** 24.8 LBS / 11.25 Kg
 2 pcs. Bottom Left **MODEL 6201-1371** | **WEIGHT:** 24.3 LBS / 11 Kg
 2 pcs. Bottom Right **MODEL 6201-1372** | **WEIGHT:** 24.3 LBS / 11 Kg

MATERIAL: CAST STEEL (per ISO 1161 requirements)
FINISH: MACHINED ON ALL SIX SIDES & SHOT-BLASTED

Each Corner Casting is manufactured in accordance w/ Approval Certificate by a Classification Society and meets ISO 1161 requirements for ISO Containers.

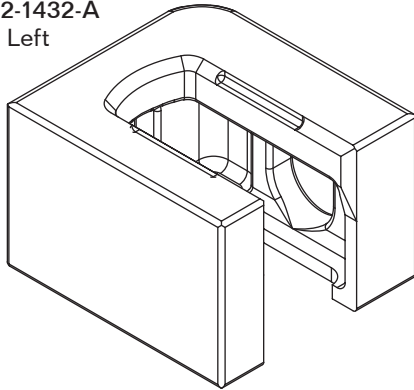


SLOTTED CORNER CASTING

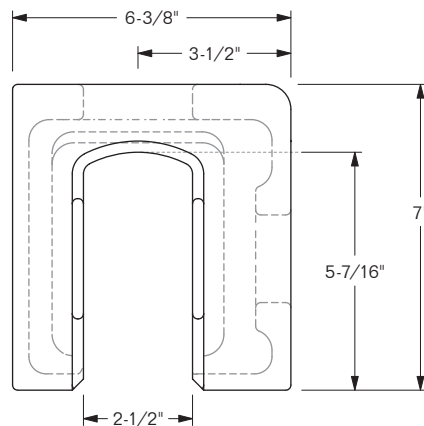
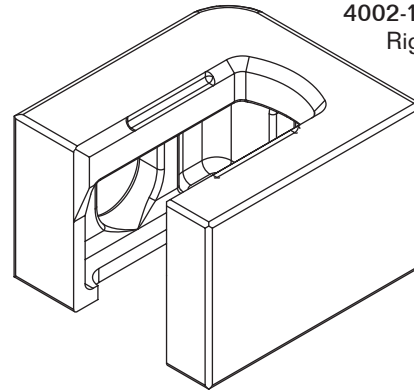
for FOLDING END
ISO FLATRACK CONTAINERS

LEFT MODEL 4002-1432-A
RIGHT MODEL 4002-1432-B

4002-1432-A
Left

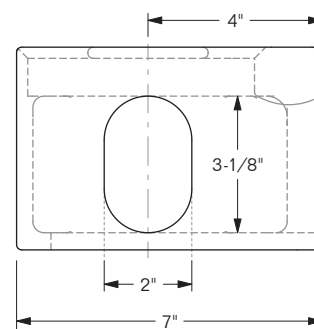
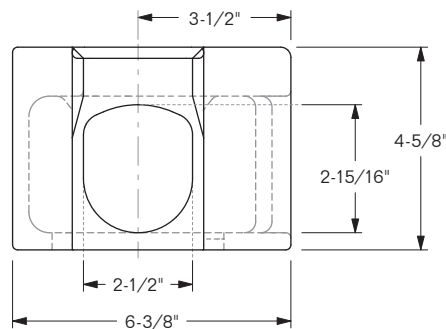


4002-1432-B
Right



Model 4002-1432-A Left Casting is shown dimensioned.

Model 4002-1432-B Right Casting is the mirror opposite.



MATERIAL: CAST STEEL (per ISO 1161 requirements)
FINISH: MACHINED ON ALL SIDES & SHOT-BLASTED
WEIGHT: 25 LBS / 11.34 Kg