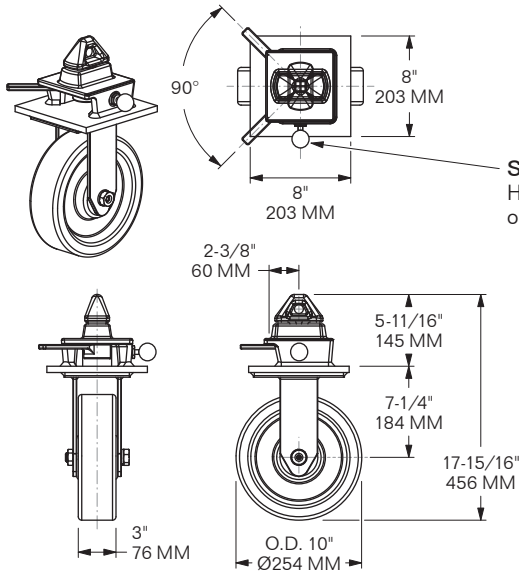


WHEEL DIA. x WIDTH	WHEEL MATERIAL	CAPACITY PER WHEEL	COMPLETE ASSEMBLIES		
			RIGID	SWIVEL	SWIVEL w/ LOCK & WHEEL BRAKE
Ø10" x 3"	GRAY IRON (-GIR)	2,700 LBS	<b>6108-8053-GIR</b>	<b>6108-8056-GIR</b>	<b>6108-8058-GIR</b>
Ø10" x 3"	PHENOLIC (-PHN)	2,900 LBS	<b>6108-8053-PHN</b>	<b>6108-8056-PHN</b>	<b>6108-8058-PHN</b>
Ø10" x 3"	DUCTILE IRON (-DUC)	5,000 LBS	<b>6108-8053-DUC</b>	<b>6108-8056-DUC</b>	<b>6108-8058-DUC</b>

### RIGID TYPE



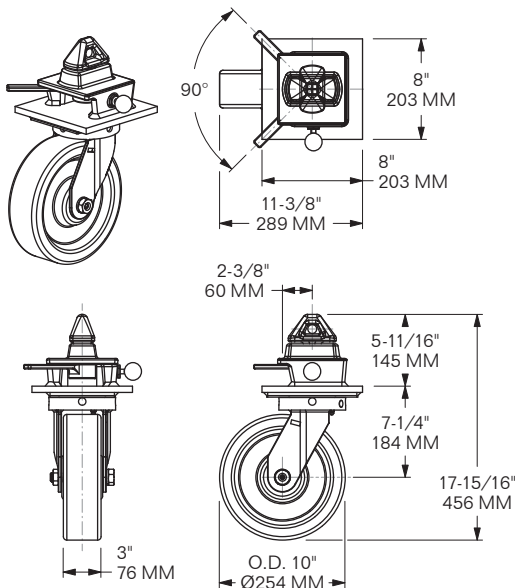
**FRAME MATERIAL:**  
FAB. STEEL, ZINC-PLATED

**LOCK MATERIAL:** FORGED STEEL,  
HOT-DIP GALVANIZED

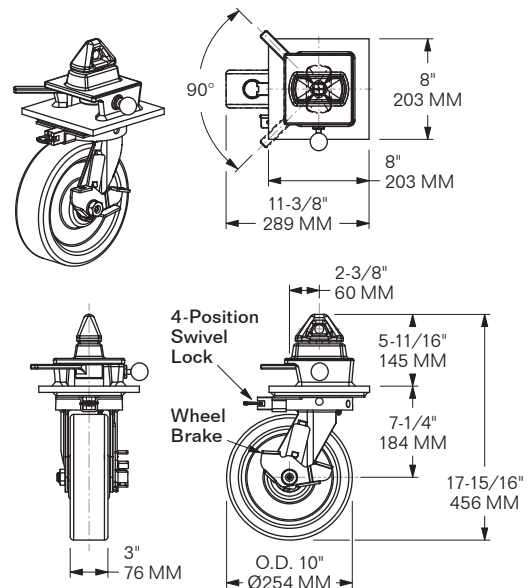
Spring-Loaded Pull Pin automatically engages the Handle to secure the LOCKED position. Pull the Knob outward to UNLOCK and disengage the Handle.

**NOTE:** Twistlocks on all Caster Assembly models have a Spring-Loaded Latch Pin for the LOCKED position.

### SWIVEL TYPE



### SWIVEL TYPE w/ SWIVEL LOCK & WHEEL BRAKE



SPECIAL ORDER ONLY

**MODEL 6108-6481**

**STRENGTH RATING:**

Tow Bar Assembly is Heavy-Duty, capable of towing a 67,200-lb. Freight Container on Caster Wheels up or down a 30° incline from horizontal level. Rating is based on max. speed of 4 mph.

**WEIGHT:** 120 LBS / 54.4 Kg

