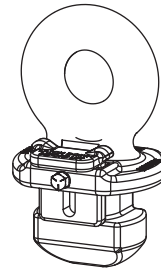
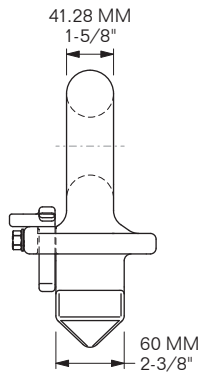
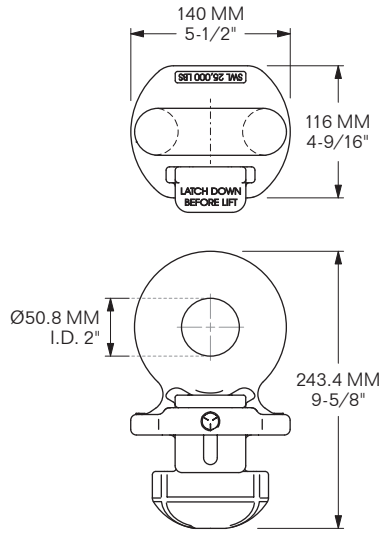


**MODEL 6101-1864-KIT**

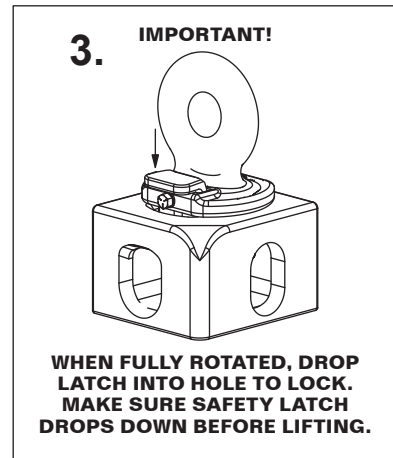
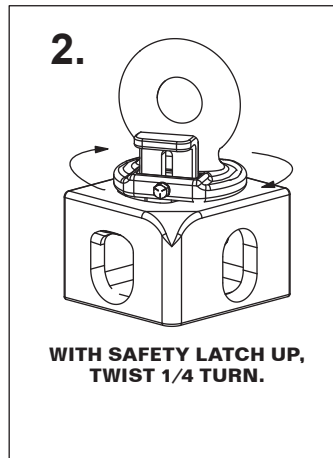
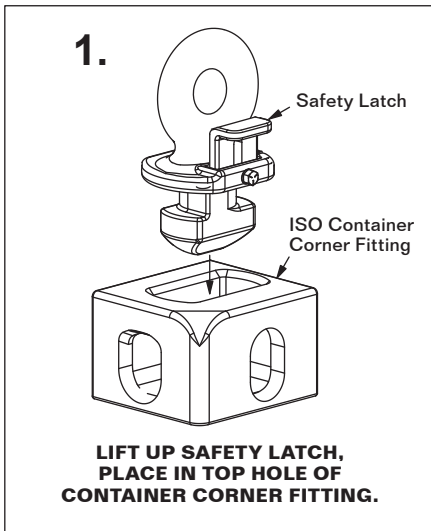
**CONTAINER TOP LIFT LUG**  
 Kit includes Test Tag on Lanyard

**PLEASE NOTE:** 4 ea. 1864-KIT  
 are needed to lift a Container.



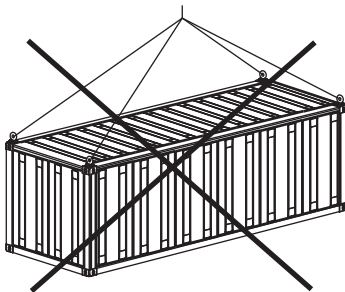
**SWL:** 25,000 LBS  
**MATERIAL:** HIGH-STRENGTH ALLOY STEEL  
**FINISH:** EPOXY PAINT, YELLOW  
**WEIGHT:** 8.39 Kg / 18.5 LBS

**INDIVIDUALLY PROOF-LOADED  
 TO 60,000 LBS**

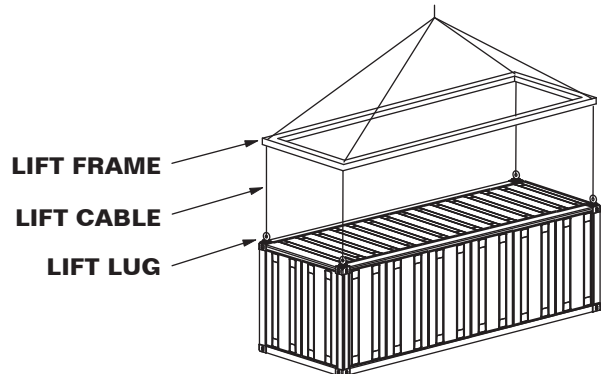


**WARNING:  
 DESIGNED FOR STRAIGHT LIFT ONLY**

MUST USE LIFT FRAME FOR STRAIGHT LIFT.

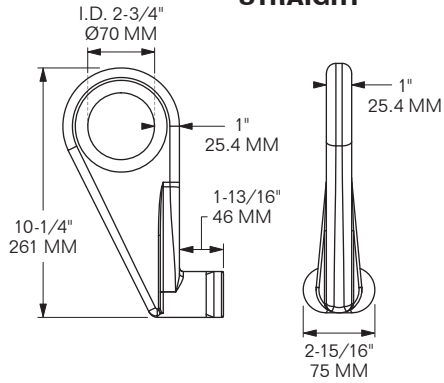


**WARNING**  
 THIS TYPE OF LIFT NOT ALLOWED!  
 MUST USE LIFT FRAME FOR STRAIGHT LIFT.



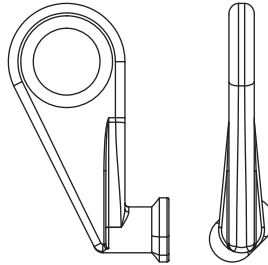
**MODEL 6101-1801**

**STRAIGHT**



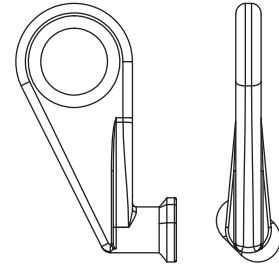
**MODEL 6101-1800-L**

**LEFT**



**MODEL 6101-1800-R**

**RIGHT**



**ISO CONTAINER SIDE LIFT HOOK**

**MODEL 6101-1801: STRAIGHT**

**WLL:** 27,500 LBS

**COLOR:** YELLOW, PAINTED

**WEIGHT:** 8.4 LBS / 3.81 Kg

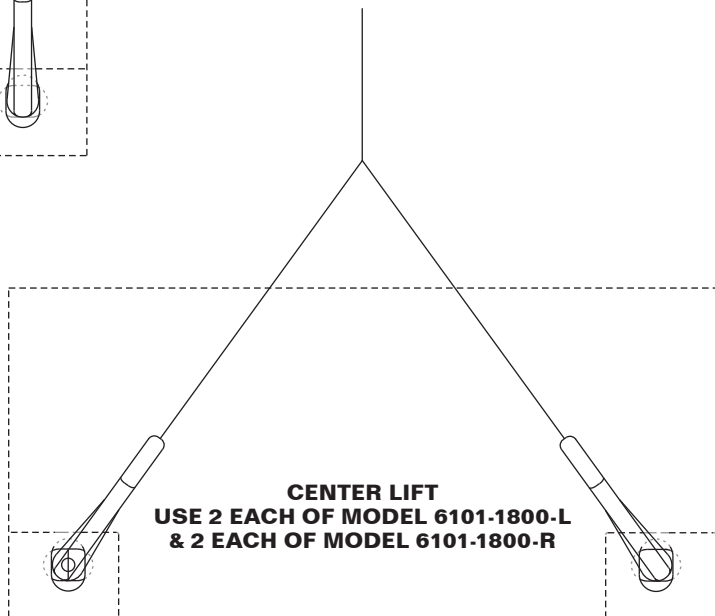
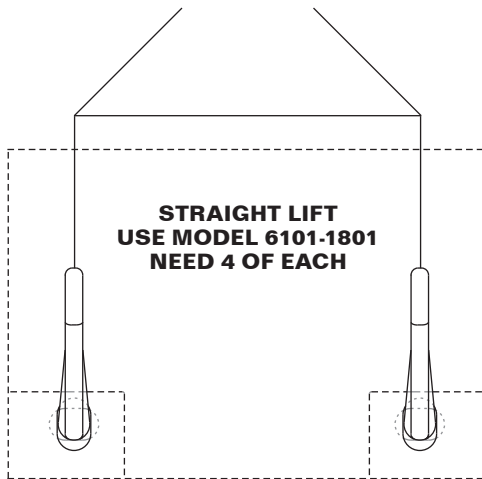
**MODEL 6101-1800-L: LEFT 45°**

**MODEL 6101-1800-R: RIGHT 45°**

**WLL:** 27,500 LBS

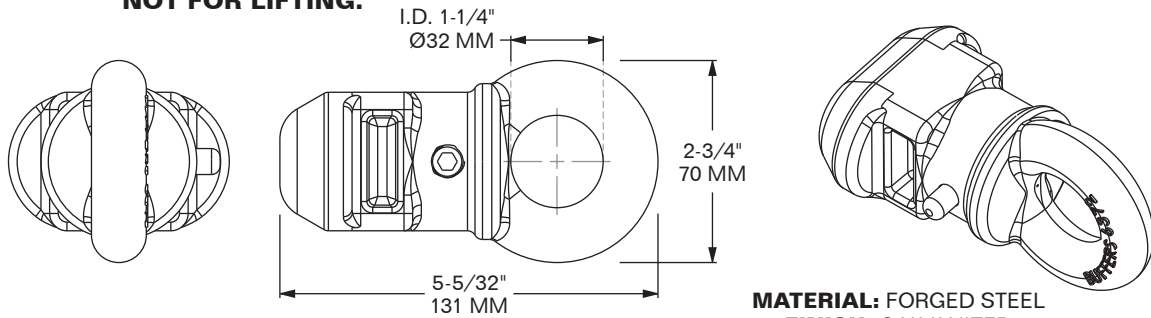
**COLOR:** YELLOW, PAINTED

**WEIGHT:** 8.4 LBS / 3.81 Kg



**FOR PULLING CONTAINERS ONTO TILT BEDS.  
NOT FOR LIFTING.**

**MODEL 6101-6372**

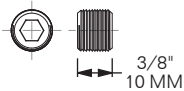


**MIN. BREAK STRENGTH: 10,000 LBS**

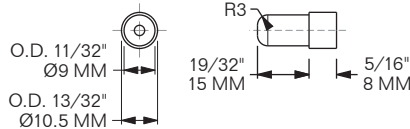
**MATERIAL: FORGED STEEL  
FINISH: GALVANIZED  
WEIGHT: 3.6 LBS / 1.63 Kg**

1. INSERT INTO SMALL, OVAL-SHAPED HOLE IN FRONT SIDE OF BOTTOM CORNER CASTING. THE LUG IS DESIGNED FOR USE IN THIS HOLE ONLY.
2. PUSH IN UNTIL ROUND FLANGE MEETS THE CASTING WALL.
3. TURN EITHER 90° CLOCKWISE OR COUNTER-CLOCKWISE, WHICH DEPRESSES THE SMALL PUSHBUTTON.
4. AFTER TURNING THE LUG 90°, PULL THE LUG OUTWARDS UNTIL PUSHBUTTON POPS OUT.

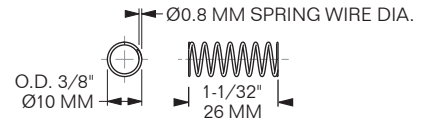
WITH THE PUSHBUTTON IN THIS POSITION, THE LUG CANNOT FALL BACK INTO THE CASTING AND ACCIDENTALLY PULL OUT.



**MODEL 6101-4621  
SOCKET SET SCREW**  
M12 x 1.75 x 10  
ZINC-PLATED

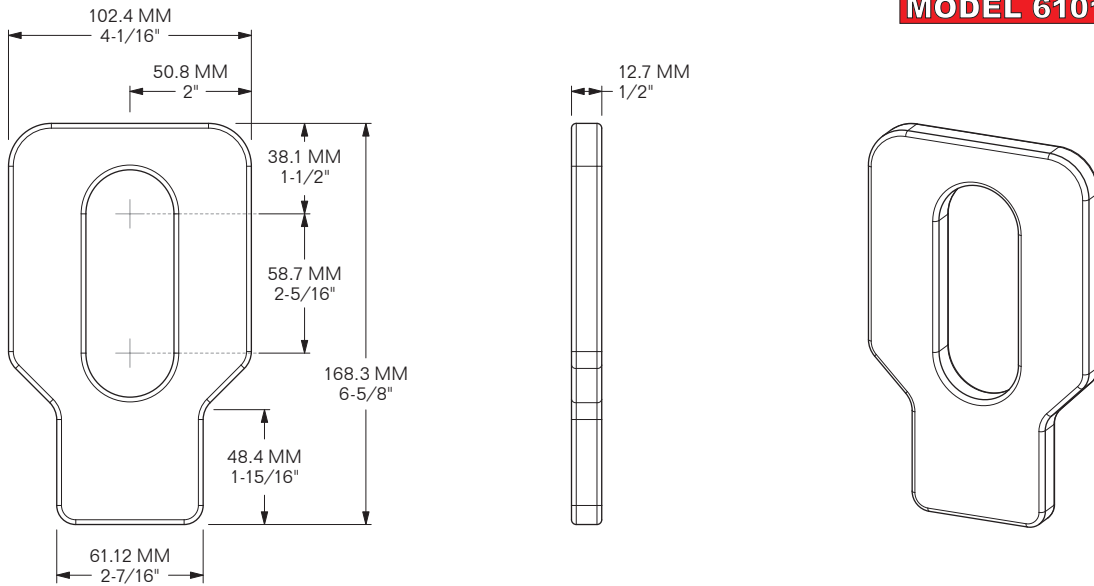


**MODEL 6101-6372-2  
LATCH PIN**  
STAINLESS STEEL



**MODEL 6101-4644  
SPRING**  
10 MM O.D. x 26 MM LENGTH  
STAINLESS STEEL

**MODEL 6101-2010**



**FITS:** TANDEMLOC 72009-3-P **FITS:** TANDEMLOC LIFT LUG MODEL 72009  
**MATERIAL:** STEEL **FINISH:** HOT-DIP GALVANIZED (HDG)  
**WEIGHT:** 1.3 Kg / 2.8 LBS