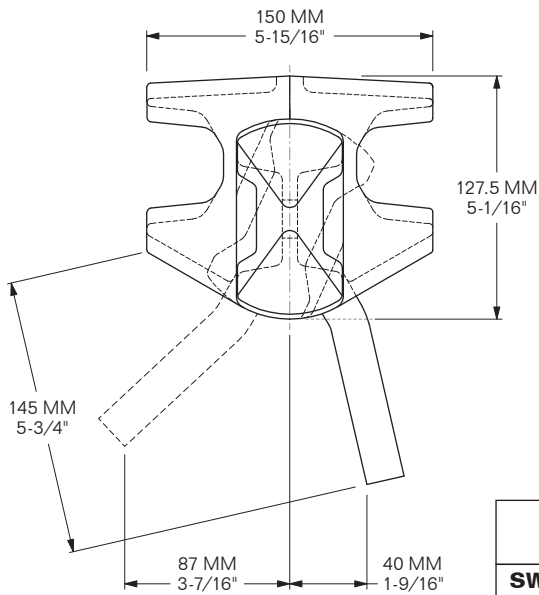
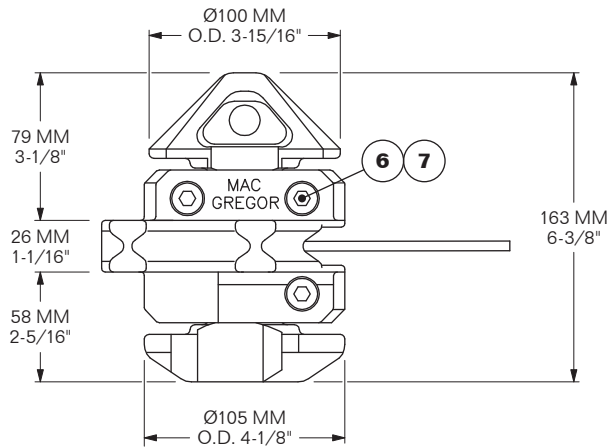
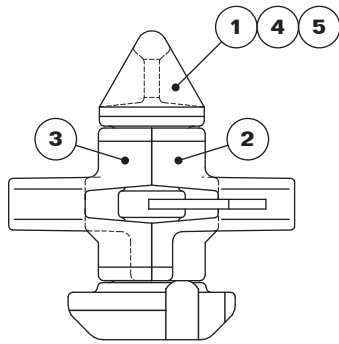




MODEL 5005-CV-8G-LL

LEFT-LOCKING
SAP 1065830



NOT AVAILABLE AS RIGHT-LOCKING.

MATERIAL: CAST STEEL HOUSING, FORGED STEEL STEM/SHAFT, STAINLESS STEEL SPRING
FINISH: HOT-DIP GALVANIZED (HDG)
WEIGHT: 5.29 Kg / 11.68 LBS

	TENSION (kN)	SHEAR (kN)	COMPRESSION (kN)	COMPRESSION LR ONLY (kN)
SWL	250	210	1,150	1,150
PL	375	315	1,438	1,350
BL	500	420	2,000	1,550

ITEM	QTY.	MODEL	DESCRIPTION	WEIGHT/EA.
1	1	5005-CV-8-1093564	Stem/Shaft w/ Handle (left-locking)	2 Kg / 4.41 LBS
2	1	5005-CV-8G-K103937	Left Housing Half (round cavities)	1.5 Kg / 3.3 LBS
3	1	5005-CV-8G-K103936	Right Housing Half (hex cavities)	1.5 Kg / 3.3 LBS
4	1	5005-CV-8-1010771	Detent Ball, 16mm	0.01 Kg / 0.02 LBS
5	1	5005-CV-8-1010789	Detent Spring, Stainless Steel	0.01 Kg / 0.01 LBS
6	3	5005-CV-8-1044786	Socket Head Cap Screw, M10 x 35	0.03 Kg / 0.06 LBS
7	3	5002-CV-20-1080141	Hex Nut, M10	0.01 Kg / 0.03 LBS

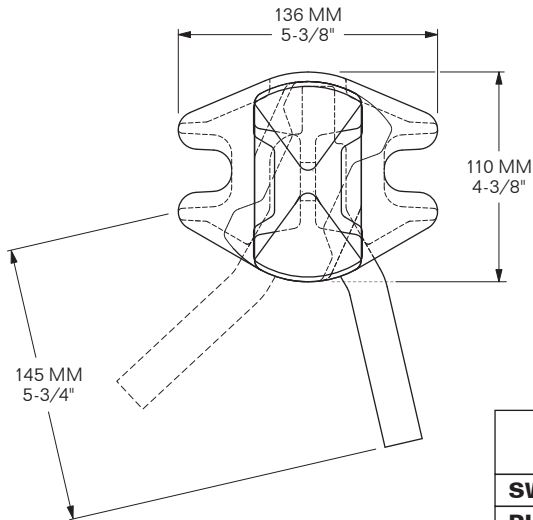
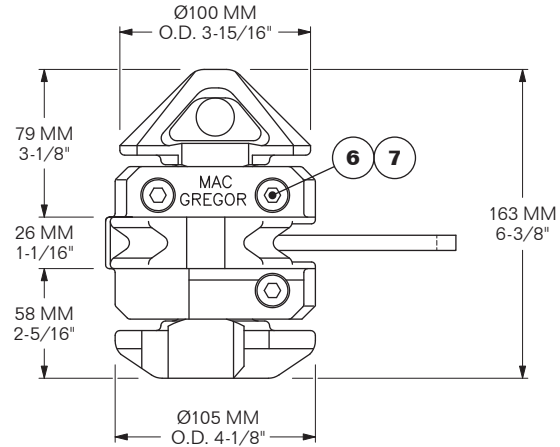
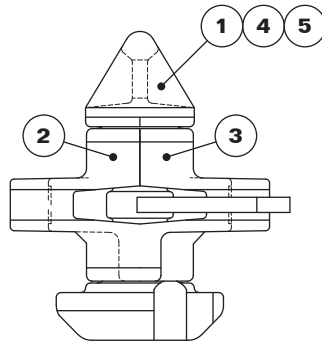


MODEL 5005-CV-8-LL

LEFT-LOCKING, SAP 1020835

MODEL 5005-CV-8R-RL

RIGHT-LOCKING, SAP 1070783



LEFT-LOCKING MODEL SHOWN.

MATERIAL: CAST STEEL HOUSING, FORGED STEEL STEM/SHAFT, STAINLESS STEEL SPRING
FINISH: HOT-DIP GALVANIZED (HDG)
WEIGHT: 4.89 Kg / 10.8 LBS

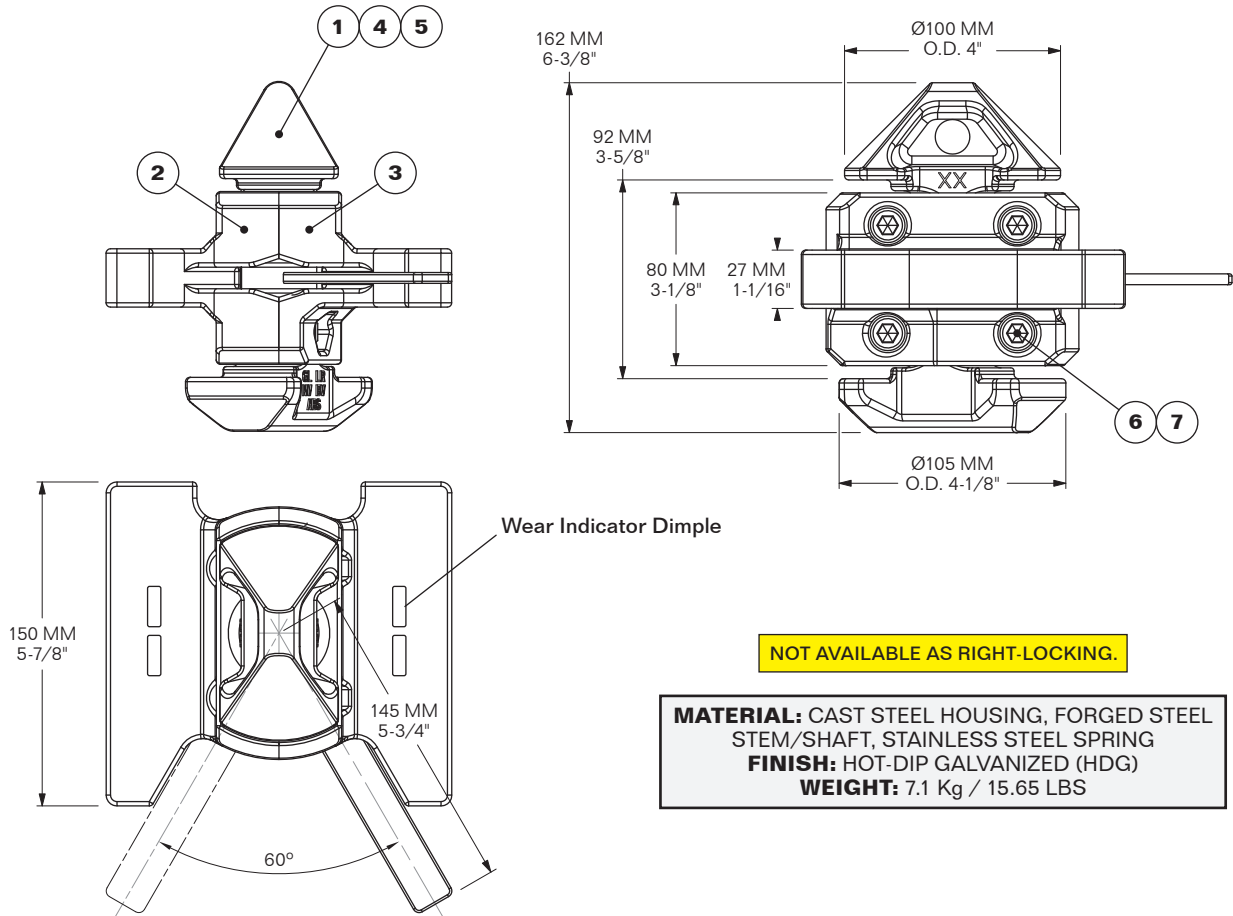
	TENSION (kN)	SHEAR (kN)	COMPRESSION (kN)	COMPRESSION LR ONLY (kN)
SWL	250	210	1,150	1,150
PL	375	315	1,438	1,350
BL	500	420	2,000	1,550

ITEM	QTY.	MODEL	DESCRIPTION	WEIGHT/EA.
1	1	5005-CV-8-1093564	Stem/Shaft w/ Handle (left-locking)	2 Kg / 4.41 LBS
1	1	5005-CV-8-1093564R	Stem/Shaft w/ Handle (right-locking)	2 Kg / 4.41 LBS
2	1	5005-CV-8-K103932	Left Housing Half (round cavities)	1.3 Kg / 2.86 LBS
3	1	5005-CV-8-K103933	Right Housing Half (hex cavities)	1.3 Kg / 2.86 LBS
4	1	5005-CV-8-1010771	Detent Ball, 16mm	0.01 Kg / 0.02 LBS
5	1	5005-CV-8-1010789	Detent Spring, Stainless Steel	0.01 Kg / 0.01 LBS
6	3	5005-CV-8-1044786	Socket Head Cap Screw, M10 x 35	0.03 Kg / 0.06 LBS
7	3	5002-CV-20-1080141	Hex Nut, M10	0.01 Kg / 0.03 LBS



MODEL 5005-CV-8B-LL

LEFT-LOCKING
SAP 1081129



NOT AVAILABLE AS RIGHT-LOCKING.

MATERIAL: CAST STEEL HOUSING, FORGED STEEL STEM/SHAFT, STAINLESS STEEL SPRING
FINISH: HOT-DIP GALVANIZED (HDG)
WEIGHT: 7.1 Kg / 15.65 LBS

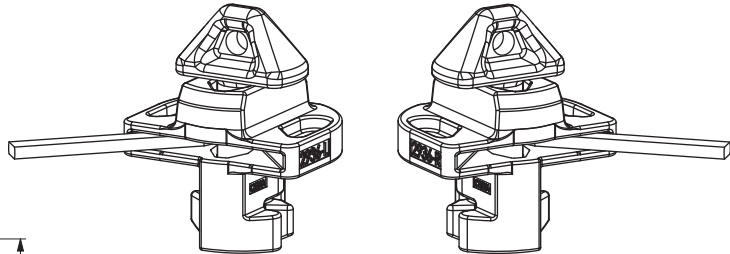
	TENSION (kN)	SHEAR (kN)	COMPRESSION (kN)	COMPRESSION LR ONLY (kN)
SWL	250	210	1,150	1,150
PL	375	315	1,438	1,350
BL	500	420	2,000	1,550

ITEM	QTY.	MODEL	DESCRIPTION	WEIGHT/EA.
1	1	5005-CV-8B-K105004	Stem/Shaft w/ Handle (left-locking)	2.11 Kg / 4.65 LBS
2	1	5005-CV-8B-K105005	Left Housing Half (round cavities)	2.47 Kg / 5.45 LBS
3	1	5005-CV-8B-K105006	Right Housing Half (hex cavities)	2.43 Kg / 5.35 LBS
4	1	5005-CV-8-1010771	Detent Ball, 16mm	0.01 Kg / 0.02 LBS
5	1	5005-CV-8-1010789	Detent Spring, Stainless Steel	0.01 Kg / 0.01 LBS
6	4	5005-CV-8-1044786	Socket Head Cap Screw, M10 x 35	0.03 Kg / 0.06 LBS
7	4	5002-CV-20-1080141	Hex Nut, M10	0.01 Kg / 0.03 LBS

NOTE: THIS FIXED-BASE DESIGN PREVENTS PLACING THE LOCK UPSIDE DOWN THAT CAN OTHERWISE CONFUSE LEFT LOCK BEING OPEN AS BEING CLOSED. FIXED-BASE FLANGES ALSO PREVENT ROLL-OUT DURING LOADING.

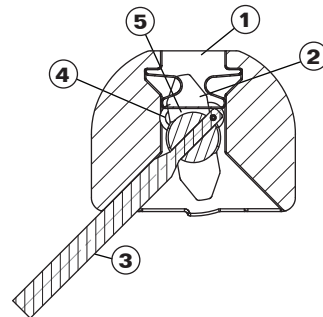
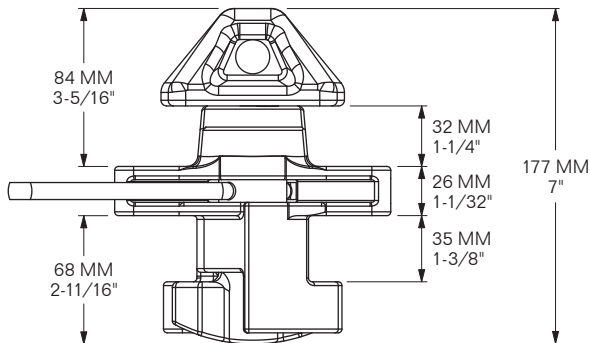
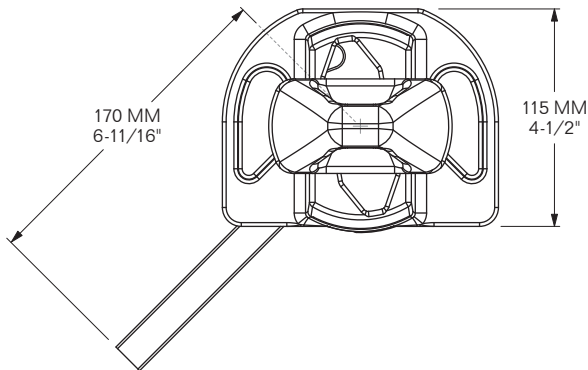
MODEL 5005-2936-LL

MODEL 5005-2936-RL



LEFT-LOCKING

RIGHT-LOCKING



ITEM	QTY	MODEL	DESCRIPTION	WEIGHT
1	1	5005-2936-1-L	Housing, left-locking	12.2 LBS / 5.5 Kg
1	1	5005-2936-1-R	Housing, right-locking	12.2 LBS / 5.5 Kg
2	1	5005-2936-2-L	Pin, left-locking	4.8 LBS / 2.2 Kg
2	1	5005-2936-2-R	Pin, right-locking	4.8 LBS / 2.2 Kg
3	1	5005-2936-4	Handle, non-handed	0.45 LBS / 0.2 Kg
4	1	5005-2936-5	Leaf Spring, SS	0.01 LBS / 0.01 Kg
5	1	5005-4757-SS	Split Roll Pin	0.01 LBS / 0.01 Kg

MBS TENSION: 50 M. TON **MBS SHEAR:** 40 M. TON
MBS COMPRESSION: 100 M. TON
FINISH: HOT-DIP GALVANIZED (HDG)
WEIGHT: 12.05 LBS / 5.47 Kg



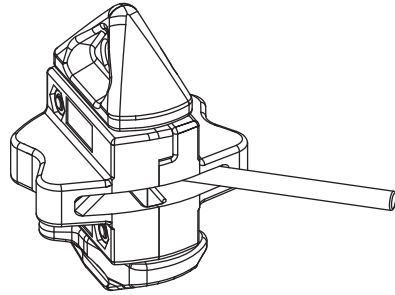
MANUAL TWISTLOCK

3-WAY LOCKING TYPE

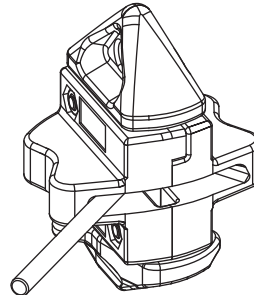
ISO, DOMCON & ISO FLATRACK CONTAINERS

MODEL 5005-7726-LL

MODEL 5005-7726-RL



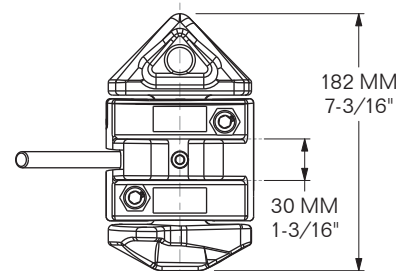
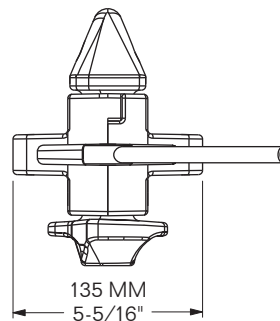
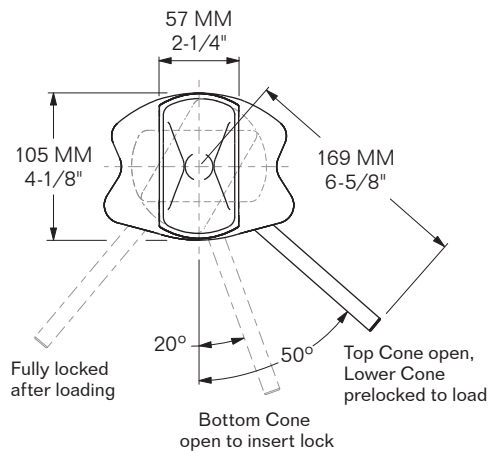
MODEL 5005-7726-LL
Left-Locking



MODEL 5005-7726-RL
Right-Locking

MODEL	TENSION BREAKING LOAD (M. TON)	SHEAR BREAKING LOAD (M. TON)	WEIGHT	PAD SIZE W x L
5005-7726-LL	50	42	13.2 LBS / 5.9 Kg	135 MM x 105 MM
5005-7726-RL	50	42	13.2 LBS / 5.9 Kg	135 MM x 105 MM

THREE-WAY LOCKING FEATURE:
Bottom Cone is prelocked when Top Cone is open to prevent roll-out during loading.



B.L. TENSION: 50 M. TON PROOF LOAD: 32 M. TON
B.L. SHEAR: 42 M. TON PROOF LOAD: 26 M. TON
B.L. COMPRESSION: 100 M. TON
FINISH: HOT-DIP GALVANIZED (HDG)