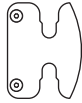


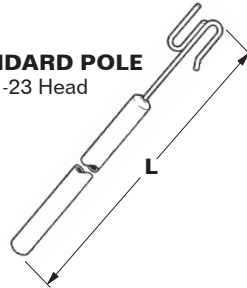


5004-OR-W-1063839



Bolted on to OR-W Unlocking Pole

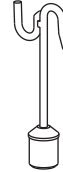
STANDARD POLE
w/ AH-23 Head



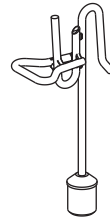
5004-AH-23



5004-AH-24



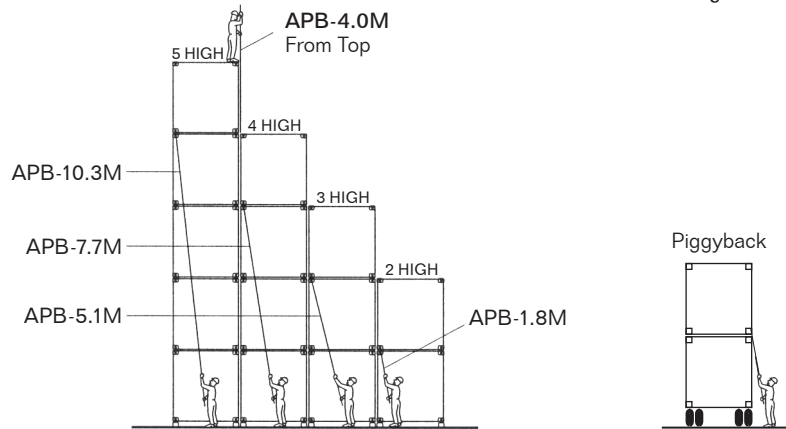
5004-AH-25



TO BE USED FROM DECK OF SHIP UNLESS OTHERWISE NOTED.

MODEL	ALLSET #	MACGREGOR	LENGTH*	REACH	WEIGHT	NOTES	
5004-UP-06-W/AH-23	APB-1.8M	OR-W/1.8	1.8 M 5.9'	2 HIGH	1.5 Kg 3.2 LBS		
5004-UP-09-W/AH-23	—	—	2.7 M 8.9'	2 HIGH	2 Kg 4.4 LBS		
5004-UP-13-W/AH-25	—	—	4 M 13.1'	—	2.5 Kg 5.4 LBS	PIGGYBACK	
5004-UP-13-W/AH-24	APB-4.0M	OR-W/3.6	4 M 13.1'	—	2.2 Kg 4.9 LBS	FROM TOP	
5004-UP-16-W/AH-23	—	—	4.9 M 16.1'	3 HIGH	2.4 Kg 5.4 LBS		
5004-UP-16-W/AH-25	—	—	4.9 M 16.1'	3 HIGH	2.5 Kg 5.4 LBS		
5004-UP-18-W/AH-23	APB-5.1M	OR-W/5.1	5.5 M 18'	3 HIGH	2.9 Kg 6.5 LBS		
5004-UP-20-W/AH-23	—	—	6.1 M 20'	3 HIGH	3.4 Kg 7.6 LBS		
5004-UP-24-W/AH-23	—	—	7.3 M 23.9'	4 HIGH	3.7 Kg 8.1 LBS		
5004-UP-26-W/AH-25	—	—	7.9 M 26'	4 HIGH	4.4 Kg 9.9 LBS		
5004-UP-26-W/AH-23	APB-7.7M	OR-W/7.8	7.9 M 25.9'	4 HIGH	4.3 Kg 9.6 LBS		
5004-UP-35-W/AH-23	APB-10.3M	OR-W/10.4	10.3 M 33.8'	5 HIGH	5.4 Kg 12 LBS		
5004-UP-35-W/AH-25	—	—	10.3 M 33.8'	—	5.6 Kg 12.3 LBS		
5004-UP-09-W/UP-02	—	9' EXTENSION for UP-35 Unlocking Pole Tube				1.8 Kg / 4 LBS	
5004-1623	—	BOLT-ON COUPLING w/ Hardware for 5004-UP-35-W/AH-23				0.6 Kg / 1.3 LBS	

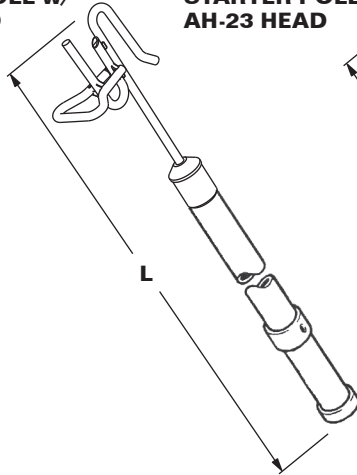
*Other lengths can be supplied upon request.



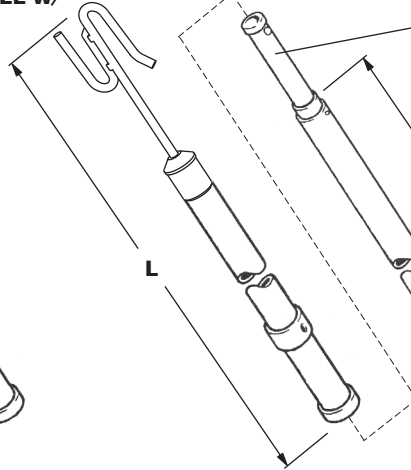
MATERIAL: AGE-HARDENED ALUMINUM TUBE, STEEL ACTUATOR HEAD **TUBE FINISH:** MILLED



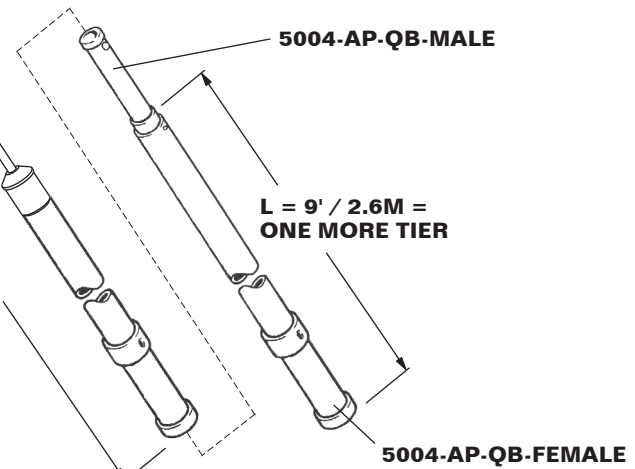
5004-APB-Q-2.2-25
QUICK-COUPLING
STARTER POLE w/
AH-25 HEAD



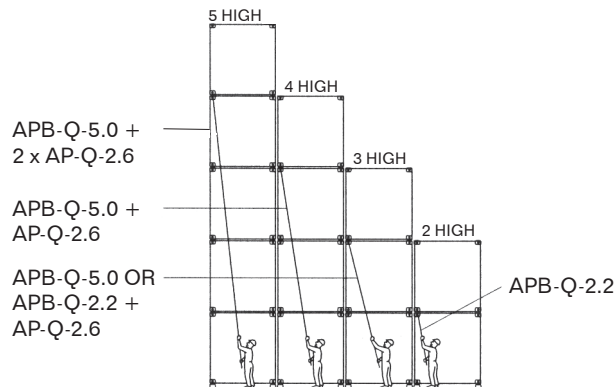
5004-APB-Q-2.2-23
QUICK-COUPLING
STARTER POLE w/
AH-23 HEAD



5004-AP-Q-2.6
EXTENSION PIECE



ITEM	MODEL	TYPE	LENGTH		WEIGHT		REACH
1	5004-APB-Q-2.2-23	STARTER	2.2 M	7'	2 Kg	4.4 LBS	2 HIGH
2	5004-APB-Q-2.2-25						
3	5004-APB-Q-5.0-23	STARTER	5 M	16'	3 Kg	6.6 LBS	3 HIGH
4	5004-APB-Q-5.0-25						
5	5004-APB-Q-5.4-23	STARTER	5.4 M	18'	3.4 Kg	7.5 LBS	3 HIGH
6	5004-APB-Q-5.4-25						
7	5004-APB-Q-7.7-23	STARTER	7.9 M	26'	4.9 Kg	11 LBS	4 HIGH
8	5004-APB-Q-7.7-25						
9	5004-AP-Q-2.6	EXTENSION	2.6 M	9'	2.9 Kg	6.4 LBS	ONE TIER MORE
10	5004-APB-Q-KIT/APM-23	SET	1 ea. ITEM 1 3 ea. ITEM 9		10.7 Kg	23.6 LBS	2 – 5 HIGH
11	5004-APB-Q-KIT/APM-25	SET	1 ea. ITEM 2 3 ea. ITEM 9		10.7 Kg	23.6 LBS	2 – 5 HIGH



MATERIAL: AGE-HARDENED ALUMINUM TUBE / STAINLESS STEEL ACTUATOR HEAD.

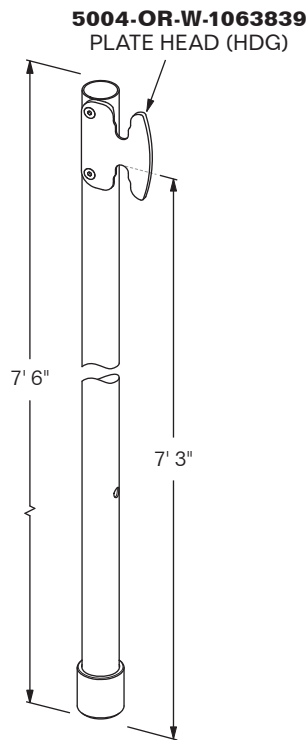




MODEL 5004-6365-EP-CV20

KIT INCLUDES: 1 EA. **5004-6365-1-CV20**
 UNLOCKING POLE w/ PLATE HEAD,
 3 EA. **5004-6365-2-EP**
 EXTENSION POLES

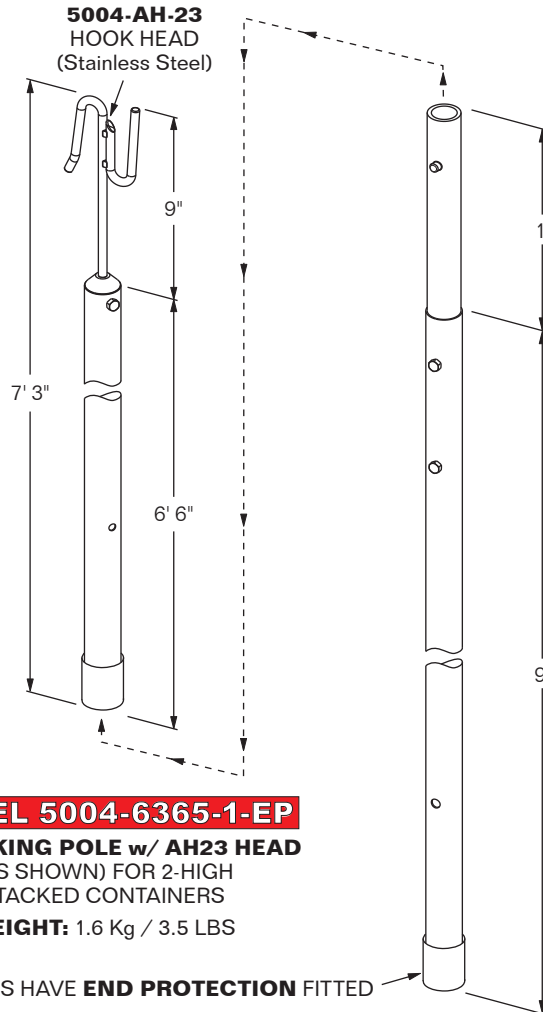
WEIGHT: 7.4 Kg / 16.35 LBS



MODEL 5004-6365-EP

KIT INCLUDES: 1 EA. **5004-6365-1-EP**
 UNLOCKING POLE w/ AH23 HEAD,
 3 EA. **5004-6365-2-EP**
 EXTENSION POLES

WEIGHT: 7.5 Kg / 16.5 LBS



MODEL 5004-6365-1-CV20-EP

UNLOCKING POLE w/ PLATE HEAD
 (AS SHOWN) FOR 2-HIGH
 STACKED CONTAINERS

WEIGHT: 1.5 Kg / 3.3 LBS

Other lengths of any pole
 can be made upon request.

MODEL 5004-6365-1-EP

UNLOCKING POLE w/ AH23 HEAD
 (AS SHOWN) FOR 2-HIGH
 STACKED CONTAINERS

WEIGHT: 1.6 Kg / 3.5 LBS

ALL POLES HAVE **END PROTECTION** FITTED

MODEL 5004-6365-2-EP

EXTENSION POLE (AS SHOWN) FOR
 UP TO 5-HIGH STACKED CONTAINERS

WEIGHT: 2 Kg / 4.35 LBS

TUBE MATERIAL: ALUMINUM **FINISH:** SELF-COLOR

UNLOCKING POLE

EXTENDABLE, SPRING-BUTTON TYPE
SHORT EXTENSION LENGTH

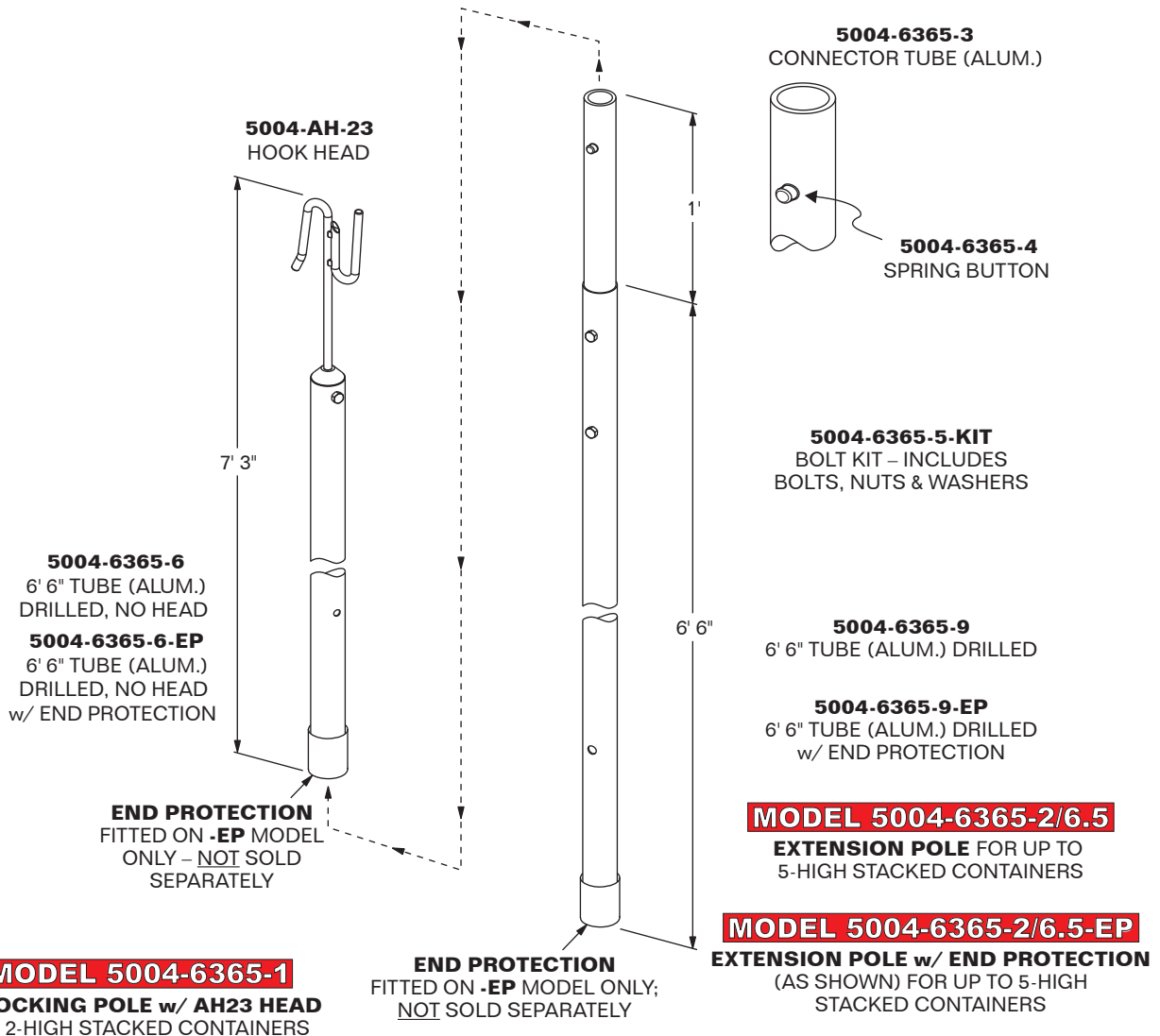


MODEL 5004-6365-6.5

KIT INCLUDES: 1 EA. **5004-6365-1** UNLOCKING POLE w/ AH23 HEAD, 3 EA. **5004-6365-2/6.5** EXTENSION POLES

MODEL 5004-6365-6.5-EP

KIT INCLUDES: 1 EA. **5004-6365-1-EP** UNLOCKING POLE w/ AH23 HEAD, 3 EA. **5004-6365-2/6.5-EP** EXTENSION POLES w/ END PROTECTION



MATERIAL: ALUMINUM TUBES / STAINLESS STEEL HEAD

FINISH: SELF-COLOR

WEIGHT: **5004-6365-6.5:** 6.5 Kg / 14.3 LBS

5004-6365-6.5-EP: 6.8 Kg / 15.0 LBS

5004-6365-1: 1.4 Kg / 3.0 LBS

5004-6365-1-EP: 1.5 Kg / 3.3 LBS

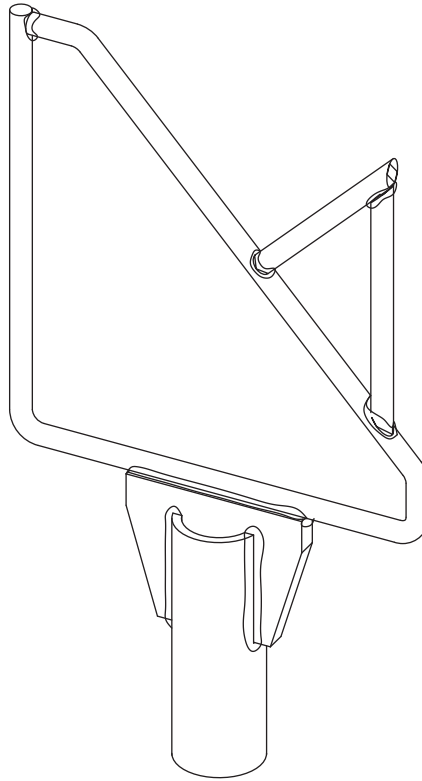
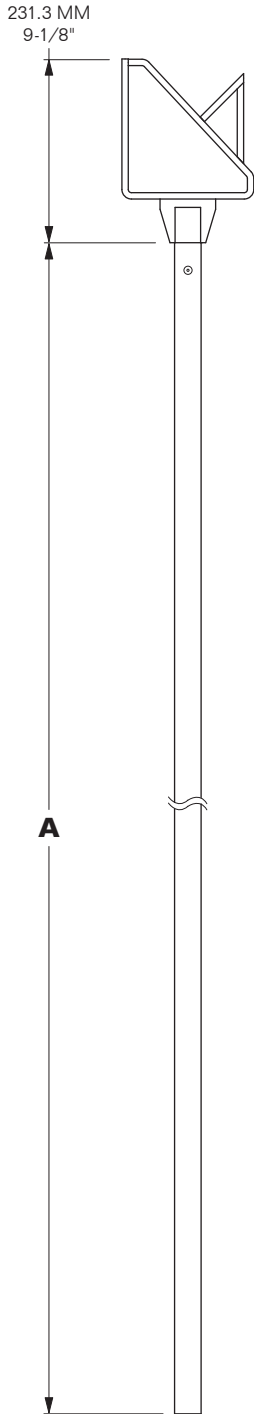
5004-6365-2/6.5: 1.7 Kg / 3.7 LBS

5004-6365-2/6.5-EP: 1.8 Kg / 4.0 LBS





MODEL 5004-UP-06-W/2937
MODEL 5004-UP-16-W/2937
MODEL 5004-UP-26-W/2937



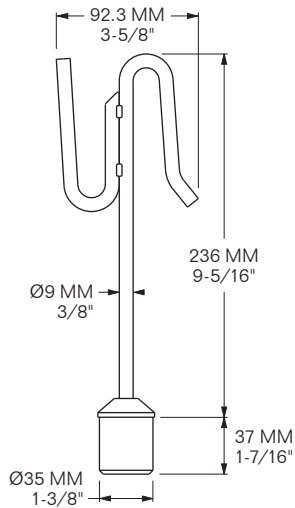
MODEL	A	WEIGHT
5004-UP-06-W/2937	198.2 MM 6' 6"	1.87 Kg 4.13 LBS
5004-UP-16-W/2937	4,877 MM 16'	3.35 Kg 7.38 LBS
5004-UP-26-W/2937	7,925 MM 26'	4.91 Kg 10.8 LBS

HEAD MADE FROM STEEL,
BOLTED TO 1-1/2" ALUMINUM POLE.



MODEL 5004-AH-23

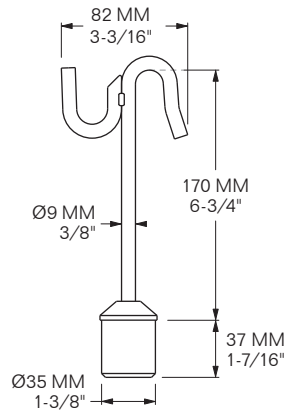
STANDARD TYPE



REFERENCE: 6365-1
MATERIAL: STAINLESS STEEL / ALUMINUM
FINISH: SELF-COLOR
WEIGHT: 0.38 Kg / 0.83 LBS

MODEL 5004-AH-24

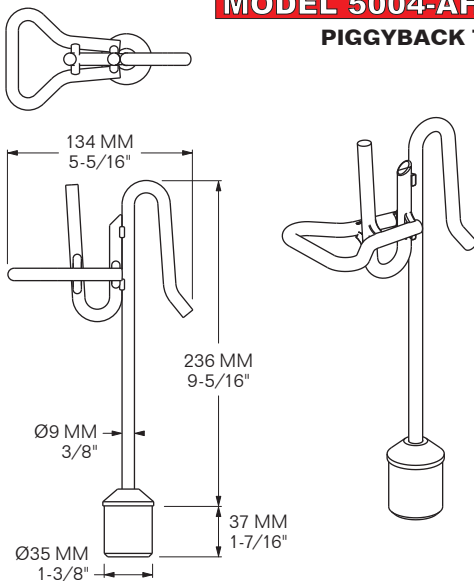
FROM TOP TYPE



REFERENCE: 7683-1
MATERIAL: STAINLESS STEEL / ALUMINUM
FINISH: SELF-COLOR
WEIGHT: 0.28 Kg / 0.62 LBS

MODEL 5004-AH-25

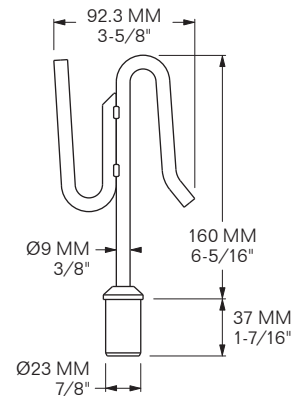
PIGGYBACK TYPE



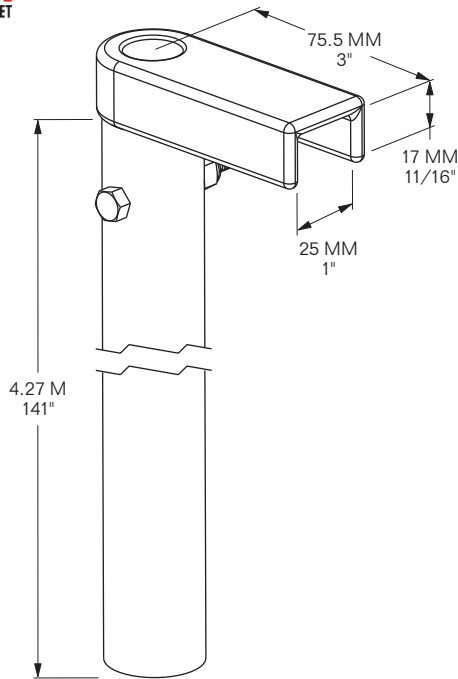
REFERENCE: 7684-1
MATERIAL: STAINLESS STEEL / ALUMINUM
FINISH: SELF-COLOR
WEIGHT: 0.50 Kg / 1.09 LBS

MODEL 5004-AH-23-TQ

FOR TELESCOPIC POLE



REFERENCE: 7694-1
MATERIAL: STAINLESS STEEL / ALUMINUM
FINISH: SELF-COLOR
WEIGHT: 0.28 Kg / 0.61 LBS



MODEL 5004-UP-7-W/1218

UNLOCKING POLE ASSEMBLY / KIT
7' x O.D. 1.25" Aluminum Pole
w/ Galvanized Steel Head
WEIGHT: 1.5 Kg / 3.31 LBS

MODEL 5004-UP-14-W/1218

UNLOCKING POLE ASSEMBLY / KIT
14' x O.D. 1.25" Aluminum Pole
w/ Galvanized Steel Head
WEIGHT: 2.55 Kg / 5.62 LBS

MODEL 5004-1218

GALVANIZED STEEL HEAD ONLY
WEIGHT: 0.43 Kg / 0.95 LBS

MODEL 5004-UP-7-1.25

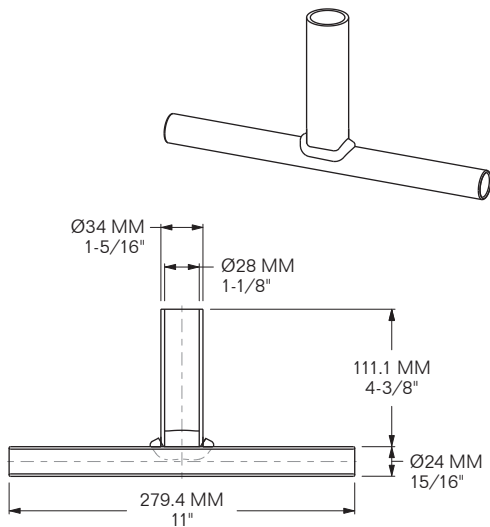
7' ALUMINUM POLE ONLY
1.25" O.D. POLE
WEIGHT: 1.05 Kg / 2.31 LBS

MODEL 5004-UP-14-1.25

14' ALUMINUM POLE ONLY
1.25" O.D. POLE
WEIGHT: 2.1 Kg / 4.62 LBS

MODEL 5004-1628

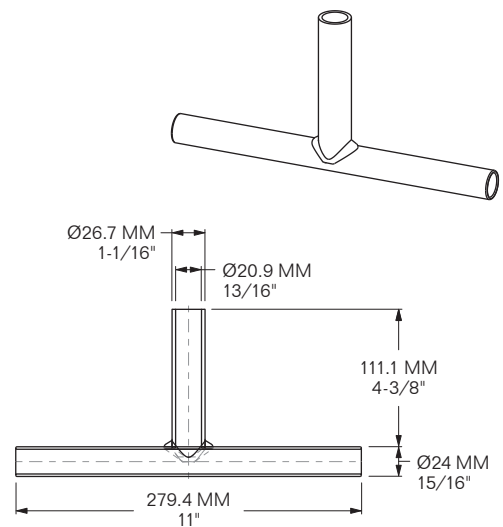
T-HANDLE FOR UNLOCKING POLES
Fits 1-1/2" Tube



MATERIAL: GALVANIZED STEEL
WEIGHT: 0.55 Kg / 1.2 LBS

MODEL 5004-7723

T-HANDLE FOR UNLOCKING POLES
Fits 1-1/4" Tube



MATERIAL: GALVANIZED STEEL
WEIGHT: 0.49 Kg / 1.07 LBS

