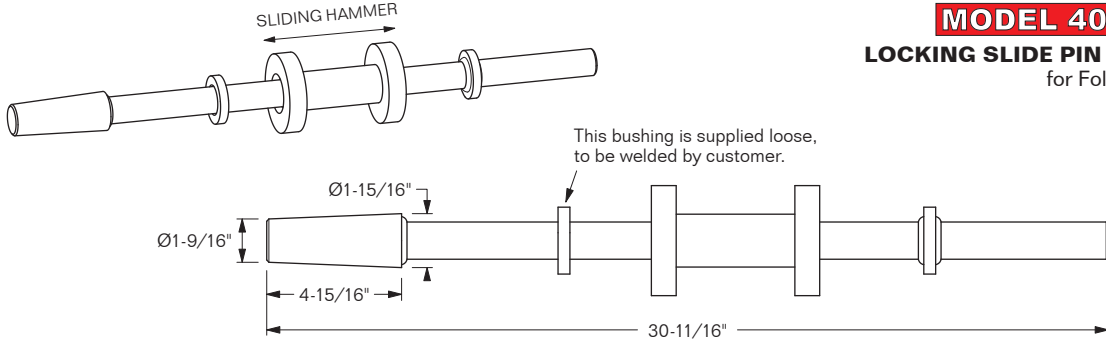


MODEL 4003-2028
LOCKING SLIDE PIN ASSEMBLY
 for Folding Flatracks

SECURES FRONT & REAR END WALLS IN UPRIGHT POSITION.

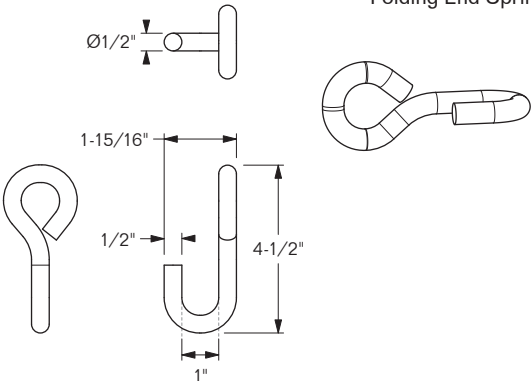
PIN & SHAFT MATERIAL: STAINLESS STEEL **SLIDING HAMMER MATERIAL:** CAST STEEL
PIN & SHAFT FINISH: SELF-COLOR **SLIDING HAMMER FINISH:** PRIMER **WEIGHT:** 21.08 LBS / 9.56 Kg



MODEL 4003-6922
LOCKING SLIDE PIN ASSEMBLY
 for Folding Flatracks

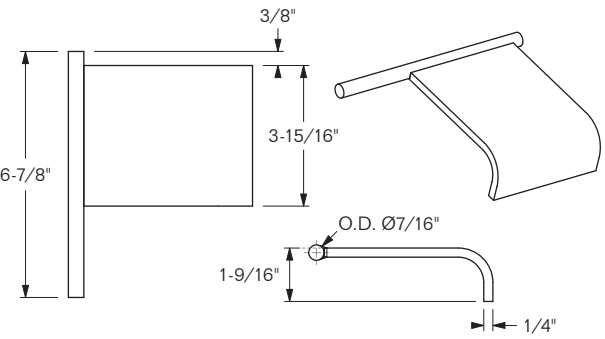
PIN & SHAFT MATERIAL: STAINLESS STEEL **SLIDING HAMMER MATERIAL:** CAST STEEL
PIN & SHAFT FINISH: SELF-COLOR **SLIDING HAMMER FINISH:** PRIMER **WEIGHT:** 21.85 LBS / 9.91 Kg

MODEL 4003-2792
HOOK for Flatrack
 Folding End Spring



MATERIAL: STEEL **FINISH:** BLACK PAINT
WEIGHT: 0.43 LBS / 0.2 Kg

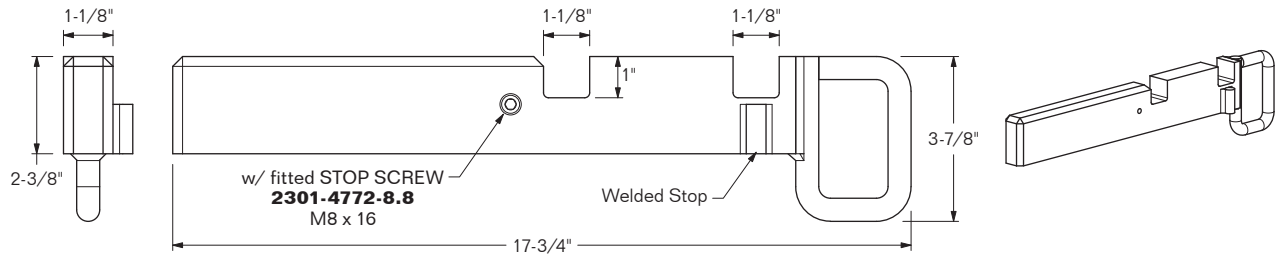
MODEL 4003-6923
LATCH for 6922 Locking
 Slide Pin Assembly (above)



WORKS WITH: 4003-6922 LOCKING SLIDE PIN ASSY.
MATERIAL: STEEL **FINISH:** HOT-DIP GALVANIZED (HDG)
WEIGHT: 1.88 LBS / 0.85 Kg

MODEL 4003-2085-KIT

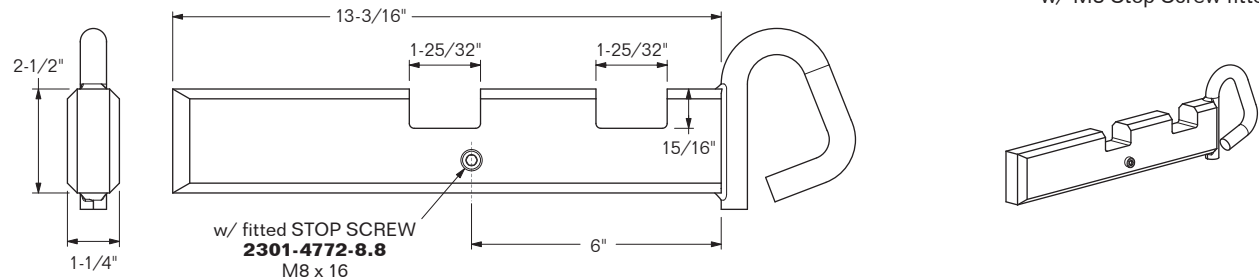
SHOOT BOLT LOCK
for Folding End Wall
w/ M8 Stop Screw fitted



SUB FOR: CIMC SL-HL **FOR USE ON:** CIMC **WORKS WITH:** BUFFERS 4003-2660 GRAVITY LATCH
MATERIAL: ALLOY STEEL **FINISH:** HOT-DIP GALVANIZED (HDG) **WEIGHT:** 10.85 LBS / 4.92 Kg

MODEL 4003-2980-KIT

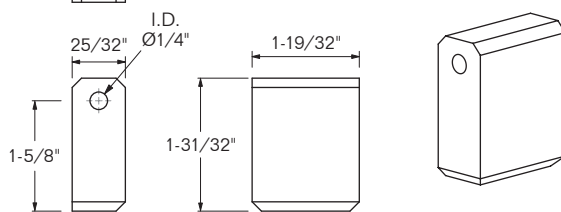
SHOOT BOLT LOCK
for Folding End Wall
w/ M8 Stop Screw fitted



FOR USE ON: CMCI, YMC **WORKS WITH:** BUFFERS 4003-2981 GRAVITY LATCH
MATERIAL: ALLOY STEEL **FINISH:** HOT-DIP GALVANIZED (HDG) **WEIGHT:** 10.98 LBS / 4.98 Kg

MODEL 4003-2981

GRAVITY LATCH
for 2980 Shoot Bolt



WORKS WITH: HEX BOLT 2301-4739-SS,
HEX NUT 2301-4740-SS & FLAT WASHER 2301-4741-SS
MATERIAL: STEEL **FINISH:** ZINC-PLATED
WEIGHT: 0.65 LBS / 0.3 Kg

MODEL 4003-2976
GRAVITY LATCH

FOR USE ON: CMCI **MATERIAL:** STEEL
FINISH: SELF-COLOR **WEIGHT:** 5.35 LBS / 2.43 Kg

MODEL 4003-2979
GRAVITY LATCH
for Folding End
w/ brass bushing

Holds flatrack end walls in DOWN position

MATERIAL: STEEL **FINISH:** PAINTED RED
WEIGHT: 4.25 LBS / 1.93 Kg

