



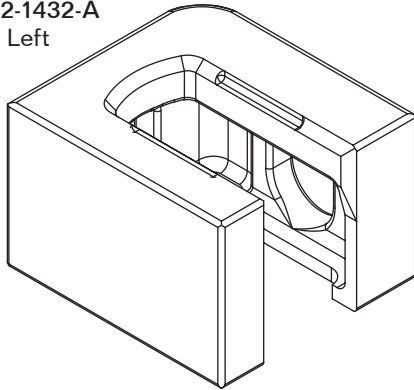
SLOTTED CORNER CASTING

for FOLDING END
ISO FLATRACK CONTAINERS

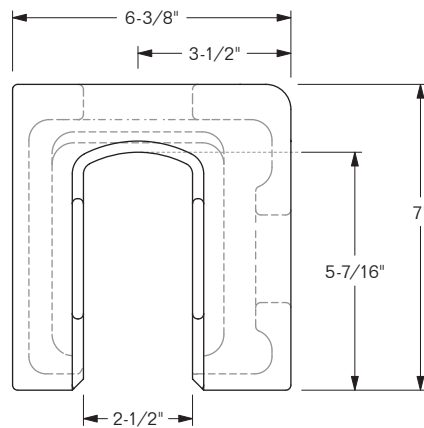
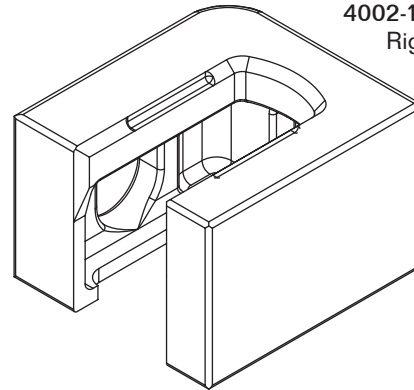
LEFT **MODEL 4002-1432-A**

RIGHT **MODEL 4002-1432-B**

4002-1432-A
Left

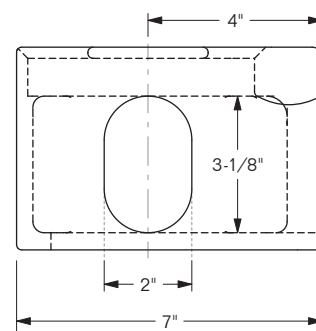
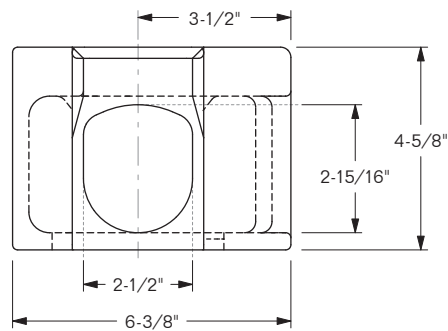


4002-1432-B
Right



Model 4002-1432-A Left Casting is shown dimensioned.

Model 4002-1432-B Right Casting is the mirror opposite.



MATERIAL: CAST STEEL (per ISO 1161 requirements)
FINISH: MACHINED ON ALL SIDES & SHOT-BLASTED
WEIGHT: 25 LBS / 11.34 Kg

BUFFERS USA INC

"The Intermodal Hardware Specialists"

4002-1

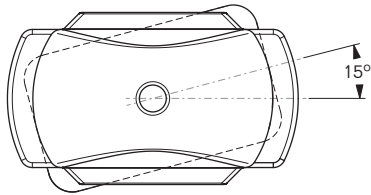


904-696-0010

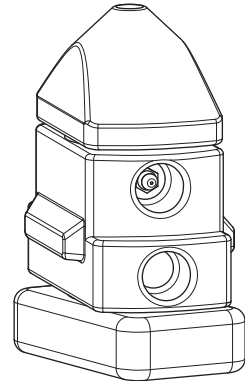
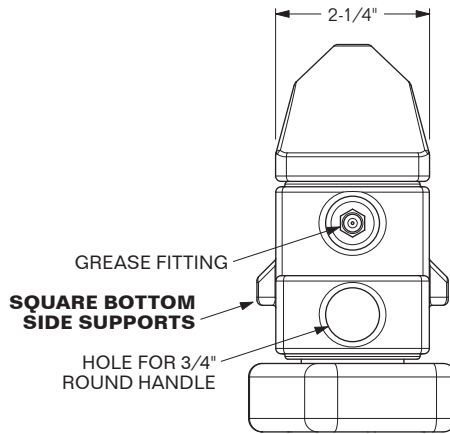
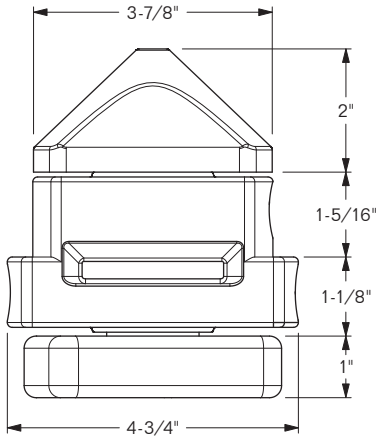
E-mail: sales@buffersusa.com

MODEL 4002-1755

FLIP-OVER TWISTLOCK
w/ Square Bottom Side Supports
connects stacked empty Flatracks



Detented locked and unlocked positions

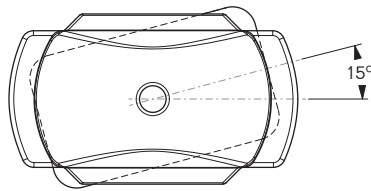


**REQUIRES GROOVES ON
CORNER CASTING CHAMFERS**

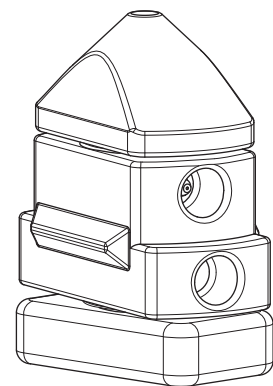
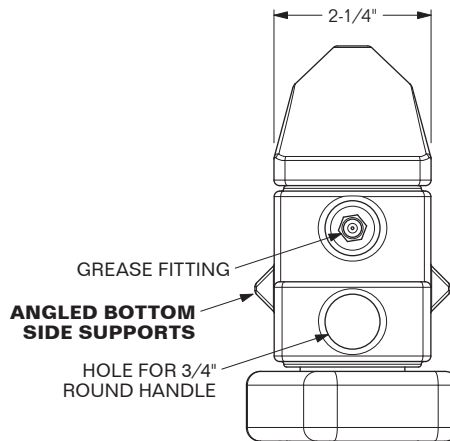
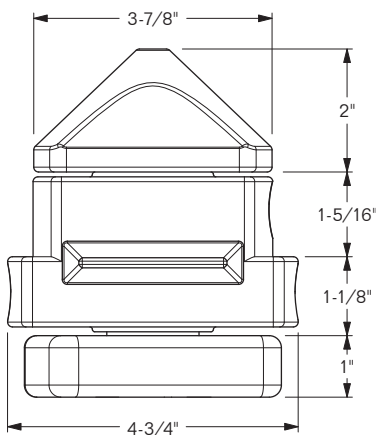
MATERIAL: CAST & FORGED STEEL
FINISH: PRIMER **WEIGHT:** 11.18 LBS / 5.07 Kg

MODEL 4002-2880

FLIP-OVER TWISTLOCK
w/ Angled Bottom Side Supports
connects stacked empty Flatracks



Detented locked and unlocked positions



**DOES NOT REQUIRE GROOVES ON
CORNER CASTING CHAMFERS**

MATERIAL: CAST & FORGED STEEL
FINISH: PRIMER **WEIGHT:** 11.2 LBS / 5.08 Kg