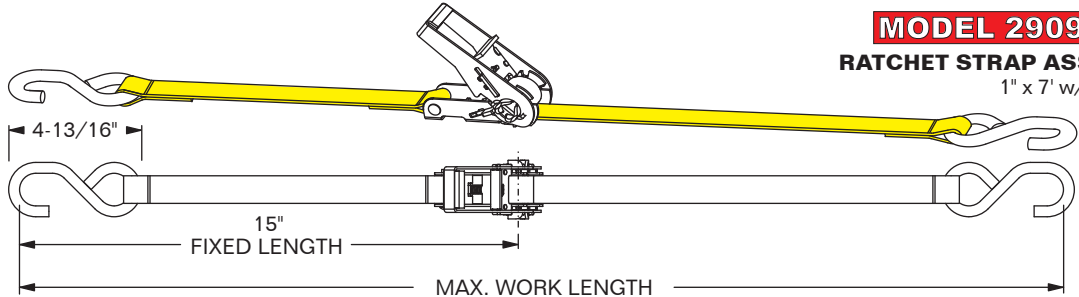


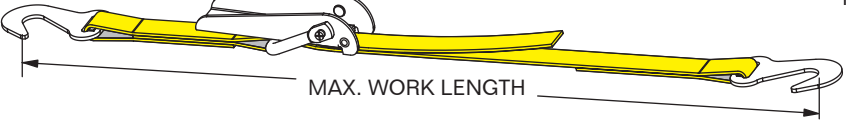
MODEL 2909-6014
RATCHET STRAP ASSEMBLY
 1" x 7' w/ S-Hooks

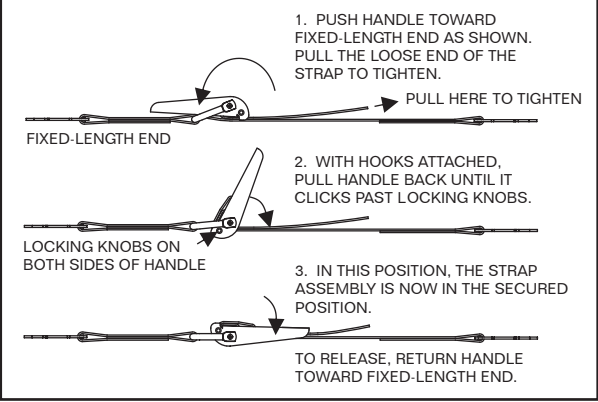


WORKING LOAD LIMIT (WLL): 1,033 LBS / 468 Kg
BREAK STRENGTH (BS): 3,100 LBS / 1,406 Kg

NOTE: NOT FOR LIFTING. LOAD-SECURING ONLY.
WEIGHT: 1.8 LBS / 0.81 Kg

MODEL 2909-6012
OVER-CENTER BUCKLE STRAP ASSEMBLY
 1" x 6'-6" w/ Flat Hooks

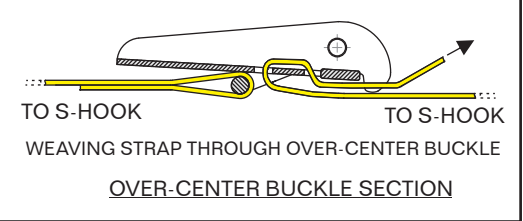




1. PUSH HANDLE TOWARD FIXED-LENGTH END AS SHOWN. PULL THE LOOSE END OF THE STRAP TO TIGHTEN.

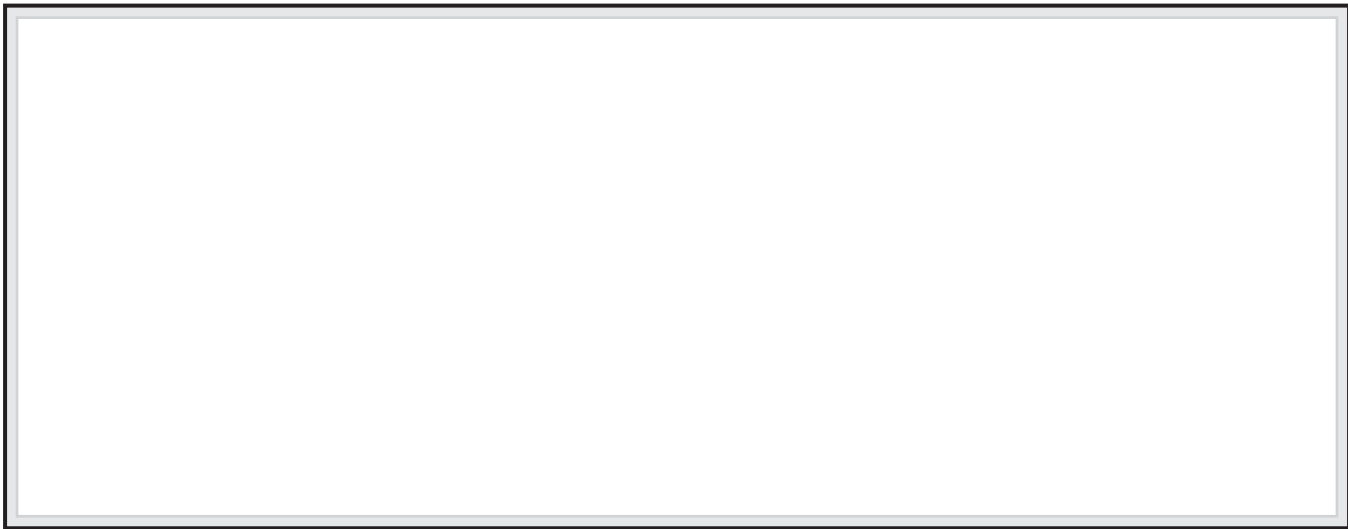
2. WITH HOOKS ATTACHED, PULL HANDLE BACK UNTIL IT CLICKS PAST LOCKING KNOBS.

3. IN THIS POSITION, THE STRAP ASSEMBLY IS NOW IN THE SECURED POSITION.



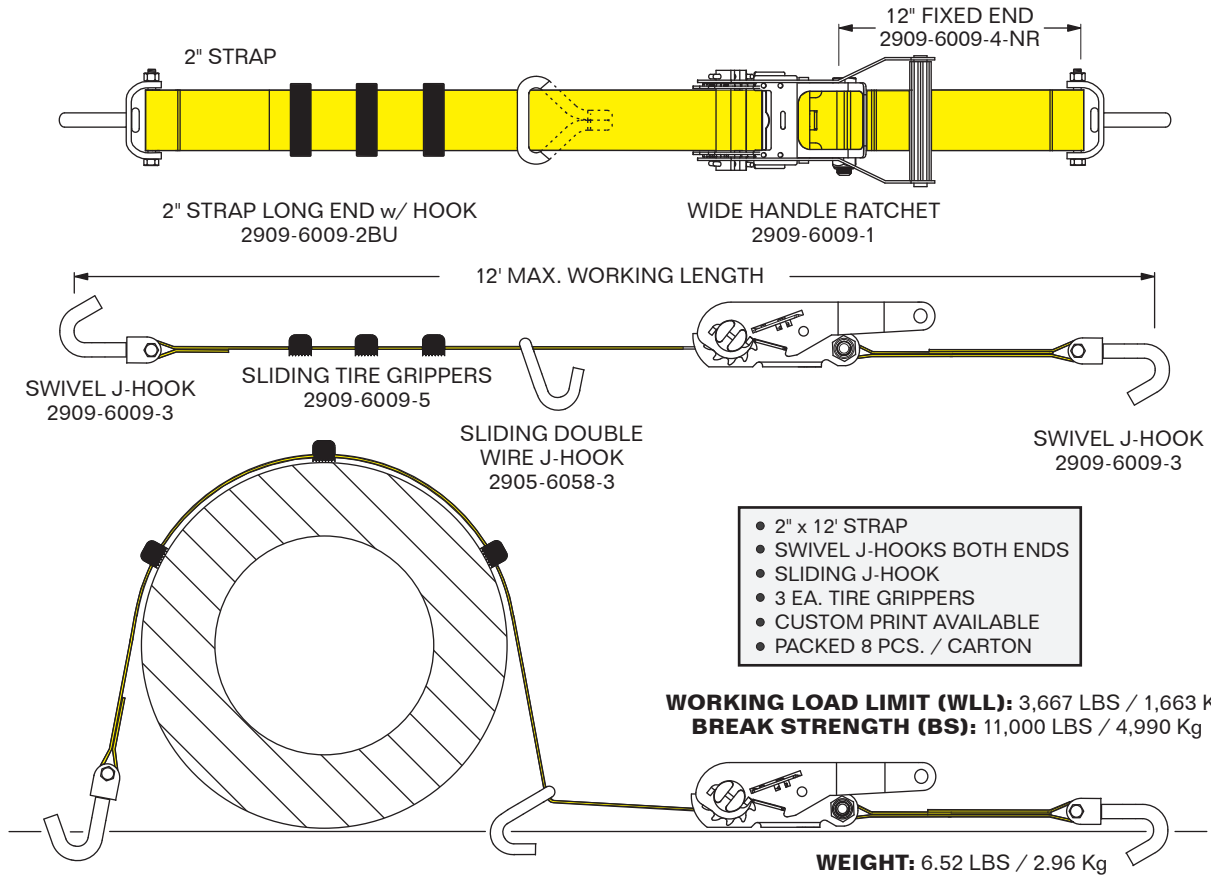
WORKING LOAD LIMIT (WLL): 1,100 LBS / 498 Kg
BREAK STRENGTH (BS): 3,300 LBS / 1,496 Kg

NOTE: NOT FOR LIFTING. LOAD-SECURING ONLY.
WEIGHT: 1.4 LBS / 0.64 Kg

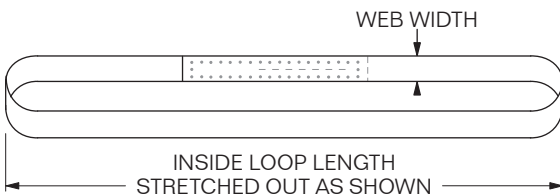


MODEL 2909-6009-BU

RATCHET TIE-DOWN FOR AUTOMOBILE HAULER (WHEEL STRAP)



ENDLESS SLINGS / RING SLINGS



**USED AS TIE-OFF POINTS FOR
VEHICLES ON RO-RO SHIPS**

**VERTICAL WORKING LOAD LIMIT
IS 1/5 OF MINIMUM BREAK STRENGTH**

MODEL	WEB WIDTH	CIRCUM.	INSIDE LOOP LENGTH	MBS VERTICAL	WLL VERTICAL	WLL BASKET 2 x VERT.	WLL CHOKER 0.8 x VERT.	COLOR
2909-6776	1" 25.4 MM	4' 1.2 M	2' 0.6 M	4,620 LBS 2,100 Kg	924 LBS 420 Kg	1,848 LBS 840 Kg	739 LBS 336 Kg	WHITE
2909-6778	2" 50 MM	10' 3 M	5' 1.5 M	8,818 LBS 4,000 Kg	1,764 LBS 800 Kg	3,527 LBS 1,600 Kg	1,410 LBS 640 Kg	BLUE
2909-6779	2" 50 MM	10' 3 M	5' 1.5 M	16,534 LBS 7,500 Kg	3,306 LBS 1,500 Kg	6,614 LBS 3,000 Kg	2,645 LBS 1,200 Kg	GREEN
2909-6780	3" 75 MM	8' 2.44 M	4' 1.22 M	22,046 LBS 10,000 Kg	4,409 LBS 2,000 Kg	8,818 LBS 4,000 Kg	3,527 LBS 1,600 Kg	RED

CLUSTER HOOK CHAIN ASSEMBLIES

All 3 Models use 1/4" GR70 Chain

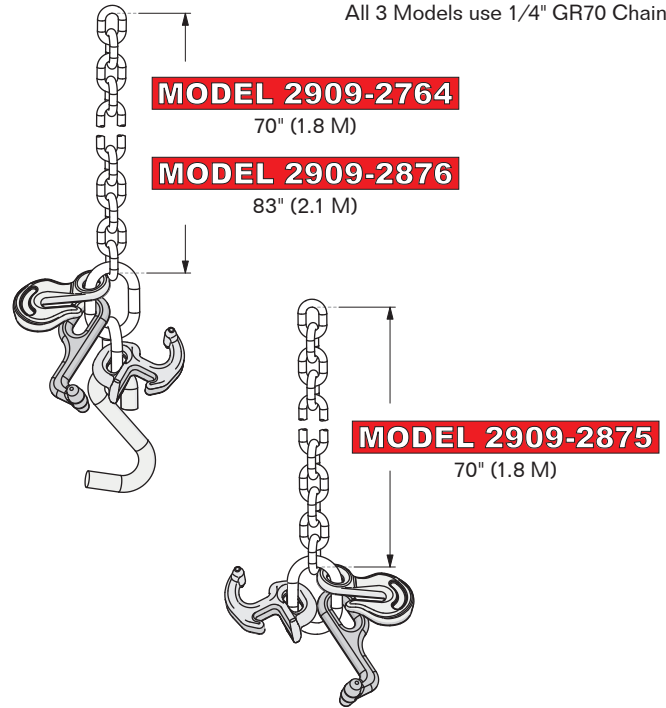
MODELS 2909-2764 & 2909-2876
CLUSTER CONTAINS 2 MASTER LINKS,
GRAB HOOK, R-HOOK, T-HOOK & S-HOOK.

MODEL 2909-2875
CLUSTER CONTAINS 1 MASTER LINK, GRAB HOOK,
R-HOOK & T-HOOK. DOES NOT CONTAIN S-HOOK.

GRAB HOOK (5/16") FOR MISC. SECURING;
R-HOOK FITS FORD;
T-HOOK FITS GM, CHRYSLER;
S-HOOK FITS OTHER MAKES

MATERIAL: FORGED STEEL
FINISH: ZINC-PLATED

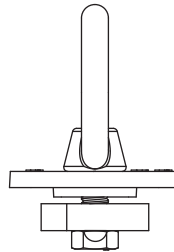
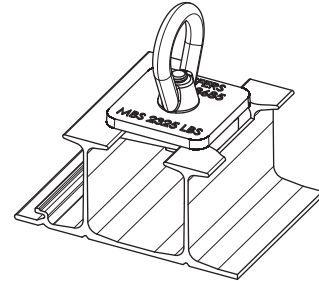
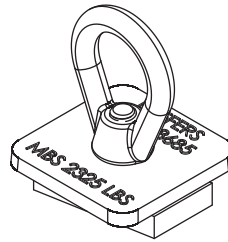
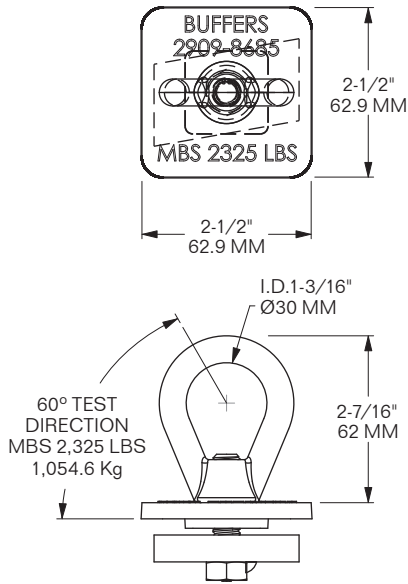
WORKING LOAD LIMIT (WLL): 3,150 LBS / 1,430 Kg
NOTE: NOT FOR LIFTING. LOAD-SECURING ONLY.





EYELET CLIP FOR REEFER T-FLOOR REEFER CONTAINERS & REEFER VAN TRAILERS

MODEL 2909-8685



**USED AS TEMPORARY
TIE-OFF POINT ON REEFER
CONTAINER FLOORS.**

MBS 2,325 LBS / 1,054 Kg

**WORKS WITH: T-FLOOR MATERIAL: FORGED EYE NUT
FINISH: ZINC-PLATED WEIGHT: 1.05 LBS / 0.48 Kg**

BUFFERS USA INC

"The Intermodal Hardware Specialists"

2909-4

904-696-0010
E-mail: sales@buffersusa.com

6/18/18