

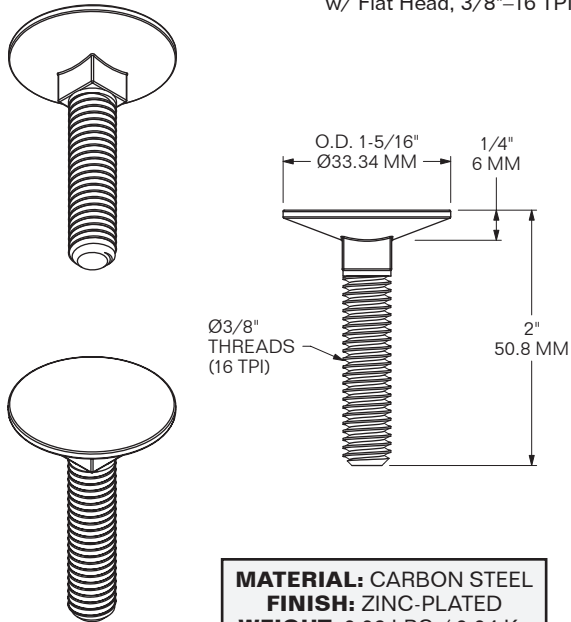
TORX FLATHEAD SCREWS
 Self-Tapping

MATERIAL: STEEL

MODEL	A	B	C	WEIGHT	FINISH
2301-2351	5/16"-18	1-3/4"	T40	1,200/CTN - 48.2 LBS/CTN	BLACK PHOSPHATE
2301-2352	5/16"-18	2"	T40	1,000/CTN - 45.9 LBS/CTN	BLACK PHOSPHATE
2301-2353	5/16"-18	2-1/2"	T40	900/CTN - 46.8 LBS/CTN	BLACK PHOSPHATE
2301-2354	1/4"-20	2"	T30	1,600/CTN - 46.1 LBS/CTN	BLACK PHOSPHATE
SPECIAL ORDER ONLY 2301-2355	1/4"-20	2-1/4"	T30	1,500/CTN - 38.9 LBS/CTN	BLACK PHOSPHATE
2301-2733	1/4"-20	2-1/2"	T30	1,200/CTN - 34.1 LBS/CTN	BLACK PHOSPHATE
2301-2733-1000	1/4"-20	2-1/2"	T30	1,000/CTN - 28.4 LBS/CTN	BLACK PHOSPHATE

MODEL 2301-4728

ELEVATOR/CARRIAGE BOLT
 w/ Flat Head, 3/8"-16 TPI



MATERIAL: CARBON STEEL
FINISH: ZINC-PLATED
WEIGHT: 0.09 LBS / 0.04 Kg

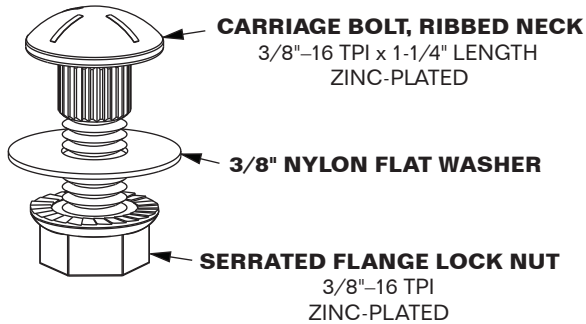


CROSSMEMBER FASTENERS

REEFER CONTAINERS
DRY VAN & REEFER VAN TRAILERS

MODEL 2301-4658-KIT-P

CROSSMEMBER BOLT KIT



EACH KIT CONSISTS OF:
8 ea. Carriage Bolts
8 ea. Flat Nylon Washers
8 ea. Lock Nuts w/ Serrated Flange

WEIGHT: 0.73 LBS / 0.33 Kg

BUFFERS USA INC

"The Intermodal Hardware Specialists"

2301-2



904-696-0010

E-mail: sales@buffersusa.com