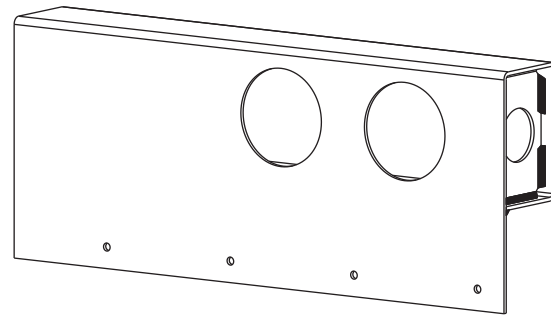
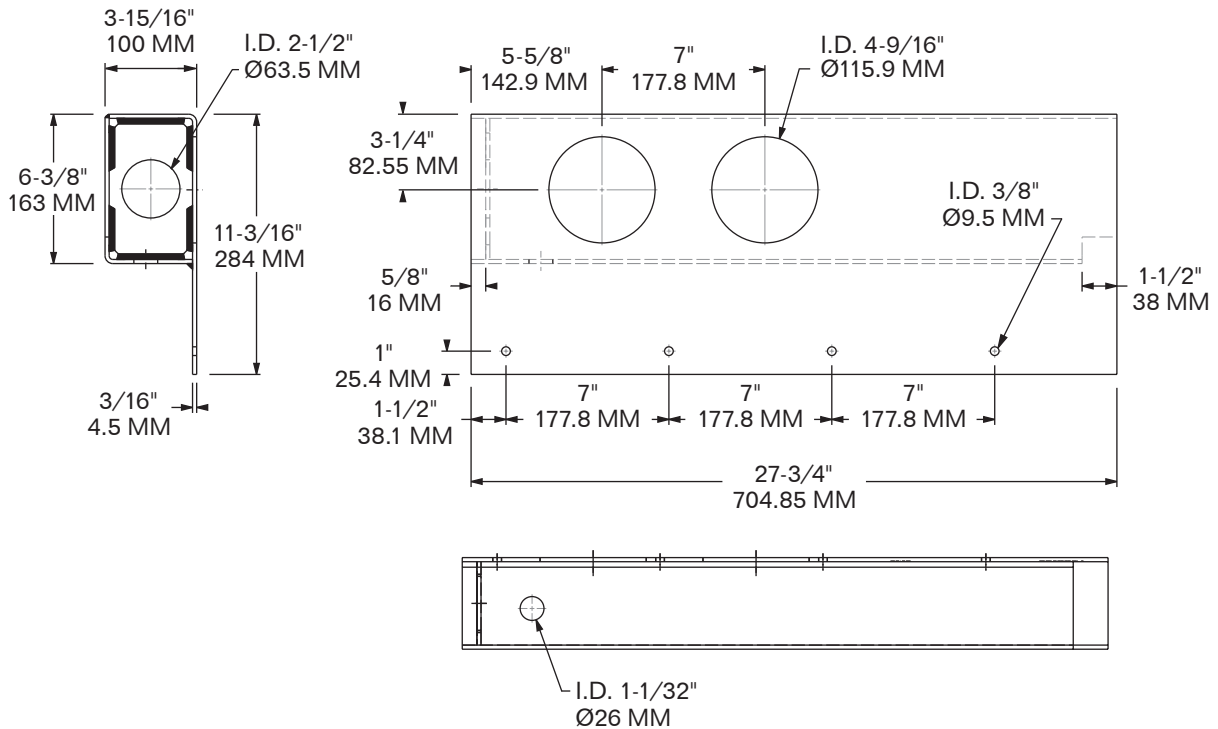


MODEL 2003-1983-RS
ROADSIDE



MODEL 2003-1983-CS
CURBSIDE



2003-1983-RS (ROADSIDE) SHOWN
2003-1983-CS (CURBSIDE) IS THE MIRROR OPPOSITE

SUB FOR: PENZ 70-42-LH/RH, STRICK
MATERIAL: FAB. STEEL
FINISH: BLACK PRIMER
2003-1983-CS WEIGHT: 35.7 LBS / 16.19 Kg
2003-1983-RS WEIGHT: 32.7 LBS / 14.83 Kg

I.D. 7/16" \varnothing 11.1 MM x 4 HOLES

I.D. 4-1/2" \varnothing 114.2 MM x 2 HOLES

24" 609.6 MM

MODEL 2003-7362-CS
MODEL 2003-7362-RS
REAR TRAILER LIGHT BRACKET

7362-CS
7362-RS

SUB FOR: PENZ 70-15-XX MATERIAL: STEEL
FINISH: PRIMER WEIGHT: 13.83 LBS / 6.27 Kg

MODEL 2003-7363
TRAILER LIGHT BRACKET

I.D. 1-5/16" \varnothing 33.3 MM

2-7/16" 61.9 MM

3-15/16" 100 MM

5-11/16" 144.5 MM

1-1/2" 38.1 MM

5-3/4" 146.1 MM

2-3/16" 56.4 MM

1/8" 3 MM

SUB FOR: PENZ 70-16 MATERIAL: STEEL
FINISH: PRIMER WEIGHT: 0.68 LBS / 0.31 Kg

MODEL 2003-7365
TRAILER LIGHT BRACKET

I.D. 1/8" / \varnothing 3.8 MM x 3 HOLES IN \varnothing 2-9/16" BOLT CIRCLE

1-3/16" 30.2 MM

2-1/8" 54 MM

I.D. 2-5/16" \varnothing 58.7 MM

1-9/16" 39.7 MM

3-1/8" 79.4 MM

4-1/4" 108 MM

1/8" 2.7 MM

SUB FOR: PENZ 70-19 MATERIAL: FAB STEEL
FINISH: PRIMER WEIGHT: 0.35 LBS / 0.16 Kg

MODEL 2003-7609
LIGHT BRACKET
w/ Flange

1-1/4" 31.8 MM

6-1/4" 158.8 MM

I.D. 3/8" \varnothing 9.7 MM

I.D. 1/4" \varnothing 6.4 MM

8-1/4" 209.6 MM

1-3/4" 44.5 MM

4" 102 MM

7-1/4" 184.2 MM

I.D. 3/16" \varnothing 4.3 MM

1/8" 3.2 MM

SUB FOR: TRUCK-LITE 60723 MATERIAL: ALUMINUM
FINISH: SELF-COLOR WEIGHT: 0.34 LBS / 0.15 Kg