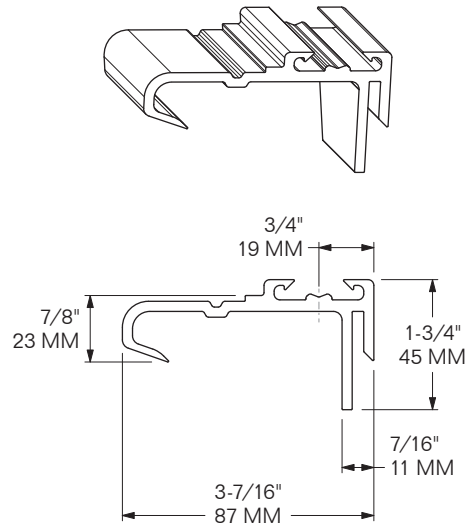


**FITS:** DOORS ON 96" WIDE  
MAERSK MCIQ REEFER CONTAINERS

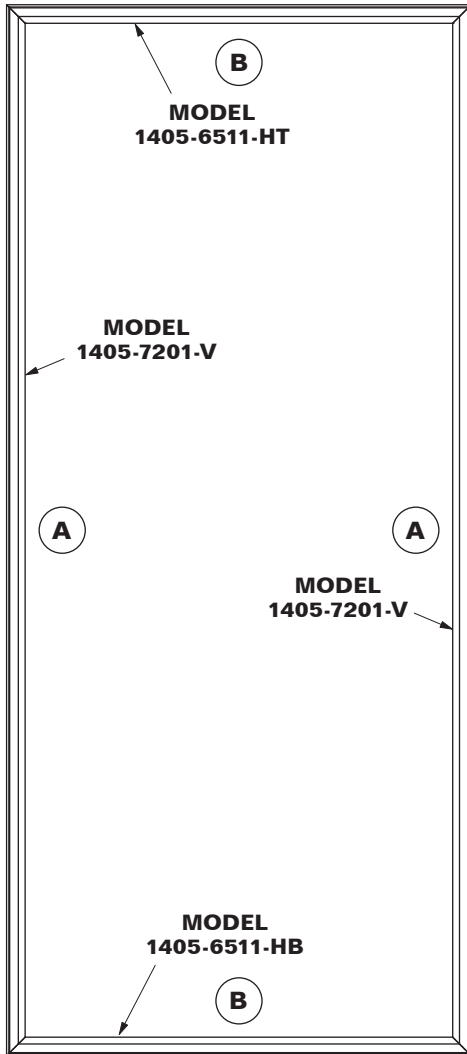


**TYPICAL PROFILE** (A)  
**ALL 4 SIDES**



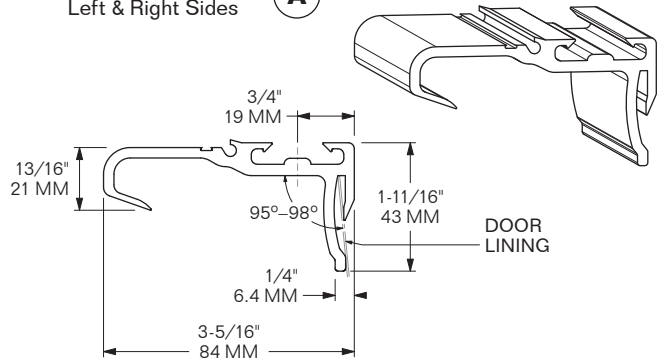
**PARTS SOLD WITH STRAIGHT, 90°-CUT ENDS.**

MODEL	DESCRIPTION	MATERIAL	FINISH	SUB FOR	LENGTH	WEIGHT
<b>MODEL 1405-6435-V</b>	<b>SIDE JAMB</b> (Vertical)	PVC	WHITE	MAERSK 7350018	100-3/4" 2,560 MM	5 LBS 2.3 Kg
<b>MODEL 1405-2784-H</b>	<b>TOP &amp; BOTTOM JAMB</b> (Horizontal)	PVC	WHITE	MAERSK 7350002	44-5/16" 1,123 MM	2.18 LBS 1 Kg

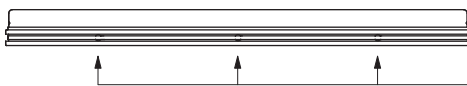
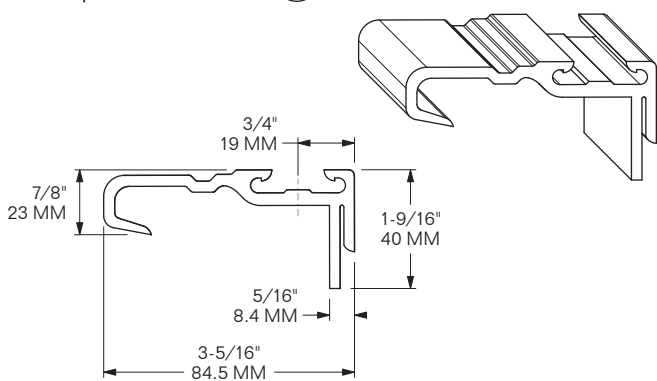


**FITS:** DOORS ON 96" WIDE  
MAERSK MCIQ REEFER CONTAINERS

**TYPICAL PROFILE A**  
Left & Right Sides



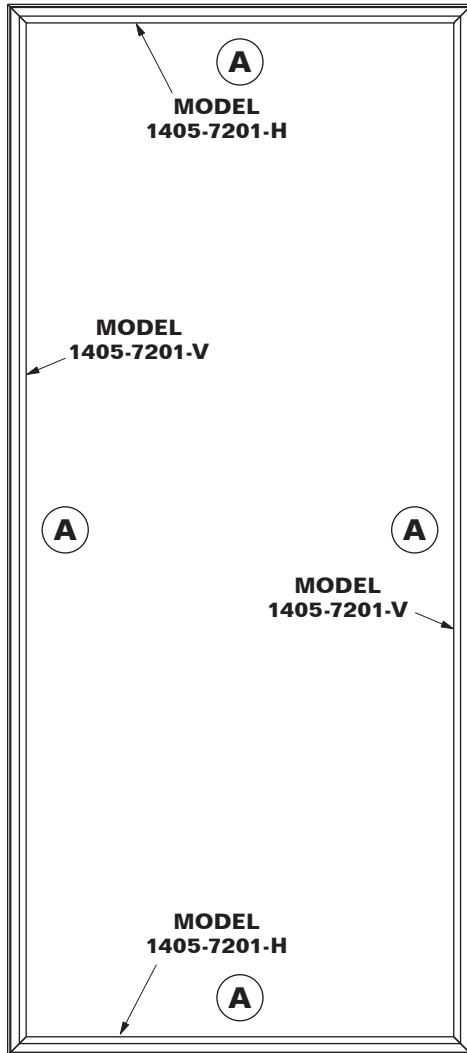
**TYPICAL PROFILE B**  
Top & Bottom Sides



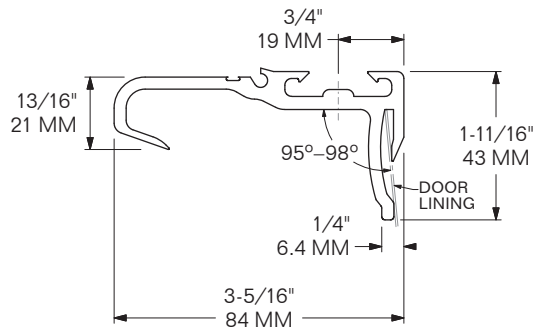
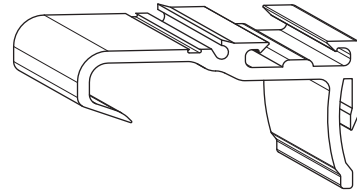
3 EA. DRAIN HOLES ON MODEL 1405-6511-HB ONLY.

**THE BELOW PARTS HAVE PRE-MITERED, 45° ENDS (as shown in above assembly):**

MODEL	DESCRIPTION	MATERIAL	FINISH	SUB FOR	LENGTH	WEIGHT
<b>MODEL 1405-7201-V</b>	<b>SIDE JAMB</b> (Vertical)	PVC	GRAY	MAERSK 7350117	100" 2,540 MM	5.03 LBS 2.28 Kg
<b>MODEL 1405-6511-HT</b>	<b>TOP JAMB</b> (Horizontal)	PVC	GRAY	MAERSK 7350011	50" 1,270 MM	2.08 LBS 0.94 Kg
<b>MODEL 1405-6511-HB</b>	<b>BOTTOM JAMB</b> (Horizontal)	PVC	GRAY	MAERSK 7350011	50" 1,270 MM	2.05 LBS 0.93 Kg



**FITS:** DOORS ON 96" WIDE x 9' 6" HIGH CUBE  
MAERSK MCIQ REEFER CONTAINERS

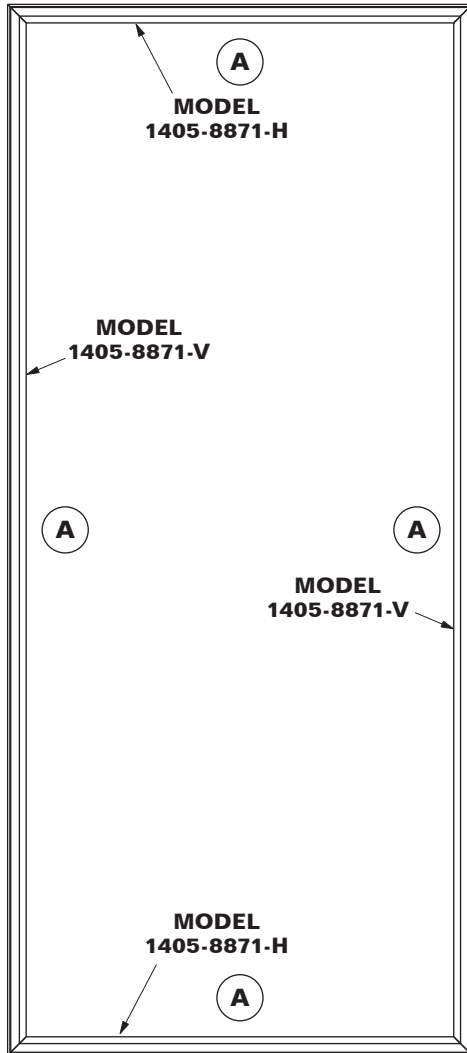


**TYPICAL PROFILE** (A)  
**ALL 4 SIDES**

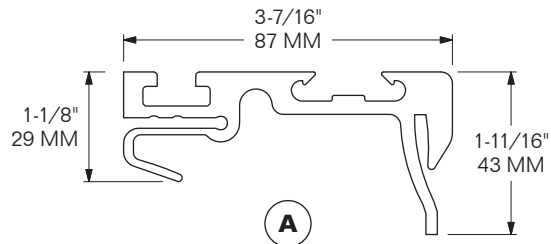
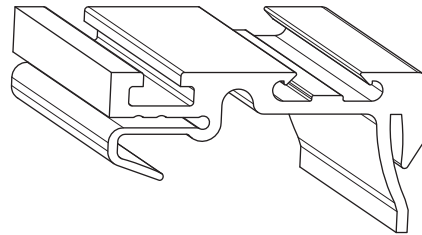


**PARTS SOLD WITH STRAIGHT, 90°-CUT ENDS.**

MODEL	DESCRIPTION	MATERIAL	FINISH	SUB FOR	LENGTH	WEIGHT
<b>MODEL 1405-7201-V</b>	<b>SIDE JAMB</b> (Vertical)	PVC	GRAY	MAERSK 7350117	100" 2,540 MM	4.81 LBS 2.18 Kg
<b>MODEL 1405-7201-H</b>	<b>TOP &amp; BOTTOM JAMB</b> (Horizontal)	PVC	GRAY	MAERSK 7350011	50" 1,270 MM	2.41 LBS 1.09 Kg



**FITS:** DOORS ON 96" WIDE x 9' 6" HIGH CUBE  
MAERSK MCIQ REEFER CONTAINERS

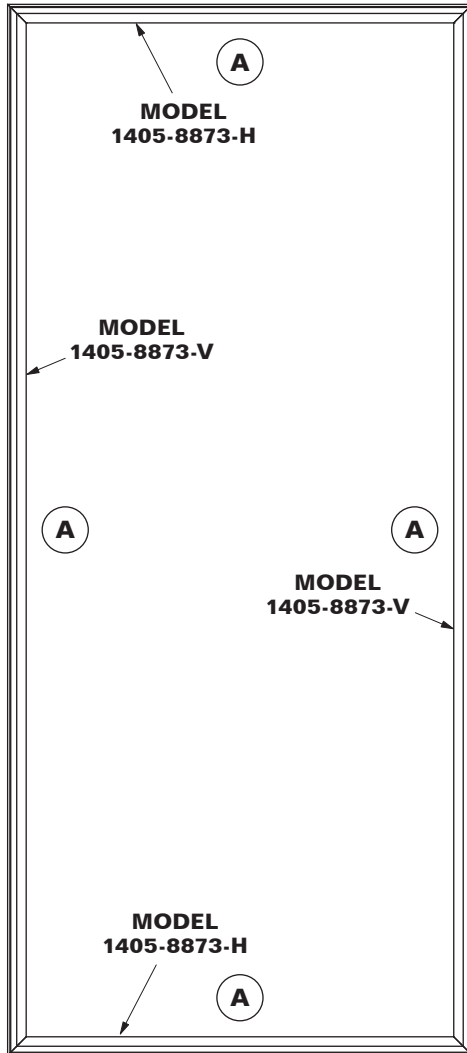


**TYPICAL PROFILE  
ALL 4 SIDES**

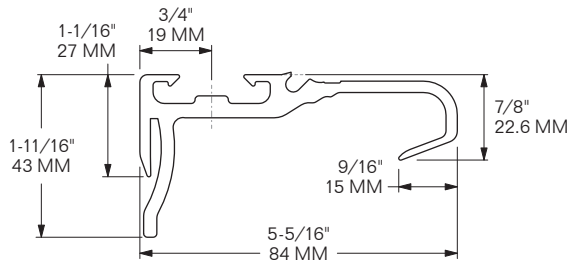


**PARTS SOLD WITH PRE-MITERED, 45°-CUT ENDS.**

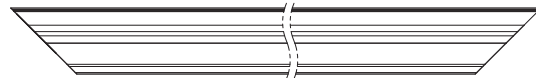
MODEL	DESCRIPTION	MATERIAL	FINISH	SUB FOR	LENGTH	WEIGHT
<b>1405-8871-V</b>	<b>SIDE JAMB</b> (Vertical)	PVC	GRAY	MAERSK 7350200A, MCIQ 7850532	99-1/4" 2,521 MM	8.47 LBS 3.84 Kg
<b>1405-8871-H</b>	<b>TOP &amp; BOTTOM JAMB</b> (Horizontal)	PVC	GRAY	MAERSK 7350200A, MCIQ 7850532	44" 1,118 MM	3.75 LBS 1.7 Kg



**FITS:** DOORS ON 96" WIDE  
MAERSK MCIQ REEFER CONTAINERS



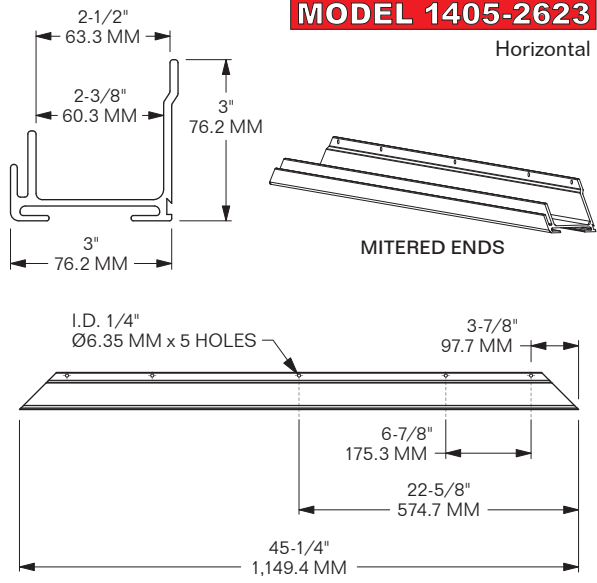
**TYPICAL PROFILE  
ALL 4 SIDES**



**PARTS SOLD WITH PRE-MITERED, 45°-CUT ENDS.**

MODEL	DESCRIPTION	MATERIAL	FINISH	SUB FOR	LENGTH	WEIGHT
<b>MODEL 1405-8873-V</b>	<b>SIDE JAMB</b> (Vertical)	PVC	GRAY	MCIQ 7850531	99-1/4" 2,521 MM	4.79 LBS 2.17 Kg
<b>MODEL 1405-8873-H</b>	<b>TOP JAMB</b> (Horizontal)	PVC	GRAY	MCIQ 7850531	44" 1,118 MM	2.05 LBS 0.93 Kg

**MODEL 1405-2623**  
Horizontal



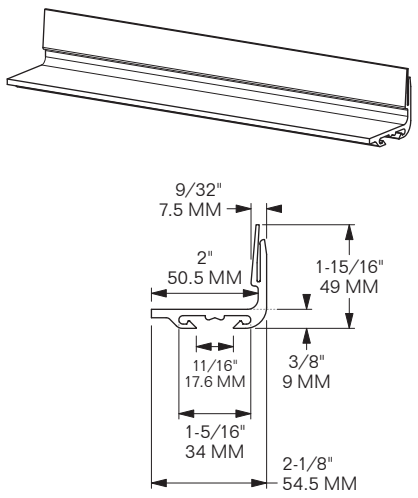
2-1/2" 63.3 MM  
2-3/8" 60.3 MM  
3" 76.2 MM  
3" 76.2 MM

MITERED ENDS

I.D. 1/4" Ø6.35 MM x 5 HOLES  
3-7/8" 97.7 MM  
6-7/8" 175.3 MM  
22-5/8" 574.7 MM  
45-1/4" 1,149.4 MM

**SUB FOR:** CARLISLE 2914-02  
**LENGTH:** 45-1/4" / 1,150 MM  
**MATERIAL:** PVC **COLOR:** WHITE  
**WEIGHT:** 2.4 LBS / 1.1 Kg

**MODEL 1405-6397**  
GASKET RETAINER



9/32" 7.5 MM  
2" 50.5 MM  
1-15/16" 49 MM  
11/16" 17.6 MM  
3/8" 9 MM  
1-5/16" 34 MM  
2-1/8" 54.5 MM

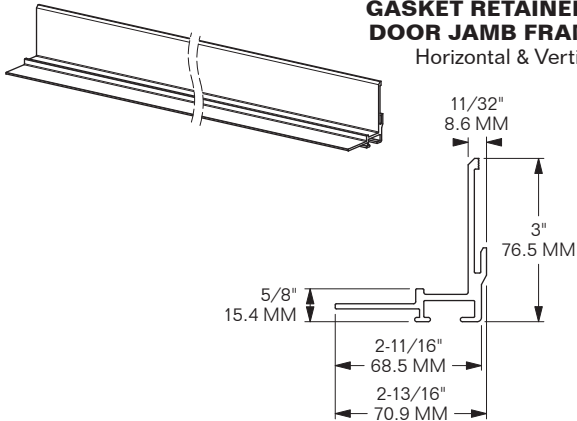
**SUB FOR:** CIMC 06-026, HYUNDAI 10009881  
**LENGTH:** 105-7/16" / 2,678 MM  
**MATERIAL:** PVC **COLOR:** LIGHT GRAY  
**WEIGHT:** 3.85 LBS / 1.75 Kg

**MODEL 1405-7293-H**

**MODEL 1405-7293-V**

**GASKET RETAINER / DOOR JAMB FRAME**

Horizontal & Vertical



**1405-7293-H**

**SUB FOR:** CIMC DA27-J202-A2 **LENGTH:** 44" / 1,118 MM  
**MATERIAL:** ALUMINUM **FINISH:** SELF-COLOR  
**WEIGHT:** 3.5 LBS / 1.59 Kg

**1405-7293-V**

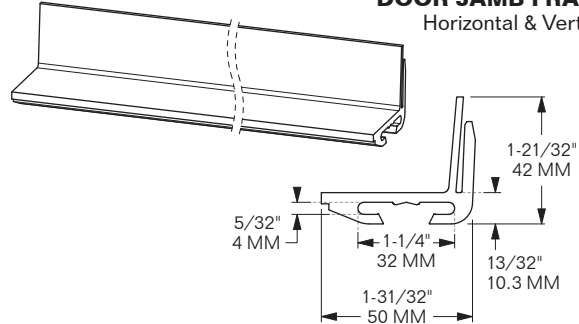
**SUB FOR:** CIMC DA27-J201-A2 **LENGTH:** 88-1/2" / 2,247 MM  
**MATERIAL:** ALUMINUM **FINISH:** SELF-COLOR  
**WEIGHT:** 7 LBS / 3.2 Kg

**MODEL 1405-7310-H**

**MODEL 1405-7310-V**

**GASKET RETAINER / DOOR JAMB FRAME**

Horizontal & Vertical



**1405-7310-H**

**SUB FOR:** CIMC DA03-J202-P0  
**LENGTH:** 44-1/4" / 1,125 MM  
**MATERIAL:** PVC **COLOR:** GRAY  
**WEIGHT:** 1.9 LBS / 0.86 Kg

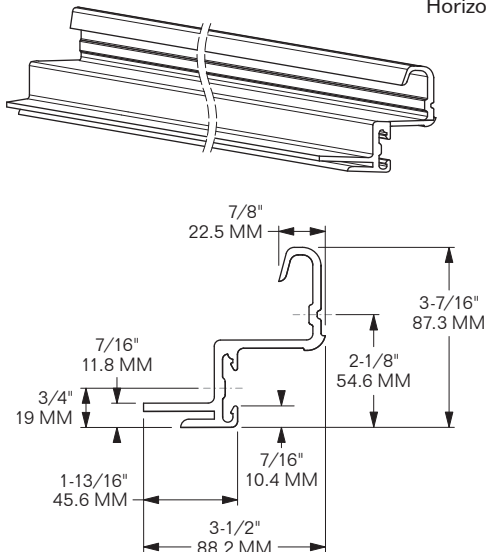
**1405-7310-V**

**SUB FOR:** CIMC DA03-J201-P0  
**LENGTH:** 88-3/4" / 2,254 MM  
**MATERIAL:** PVC **COLOR:** GRAY  
**WEIGHT:** 3.8 LBS / 1.72 Kg

**MODEL 1405-7398**

**BOTTOM JAMB**

Horizontal

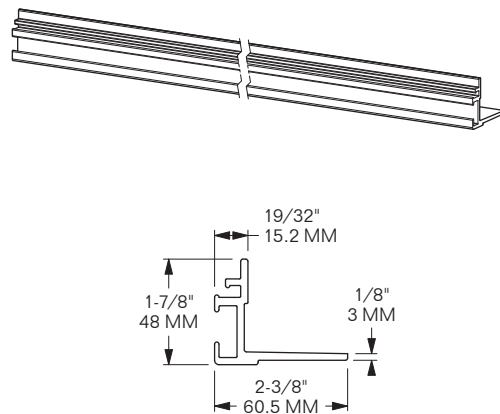


**SUB FOR:** MAERSK 7350051 **FITS:** MCIQ 40' REEFER  
**LENGTH:** 44-3/8" / 1,127 MM **MATERIAL:** PVC  
**COLOR:** WHITE **WEIGHT:** 3 LBS / 1.36 Kg

**MODEL 1405-7446**

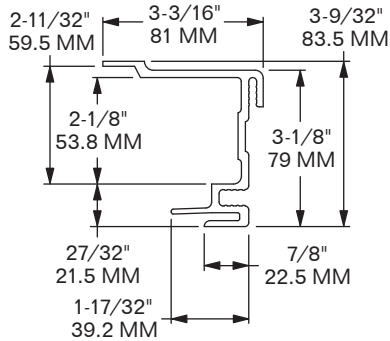
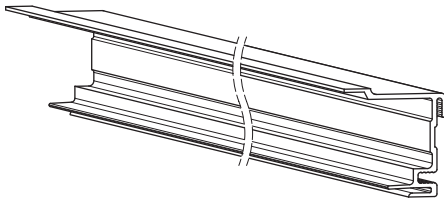
**SIDE JAMB**

Vertical



**FITS:** CIMC REEFER **LENGTH:** 102-3/8" / 2,600 MM  
**MATERIAL:** ALUMINUM **FINISH:** SELF-COLOR  
**WEIGHT:** 6.98 LBS / 3.16 Kg

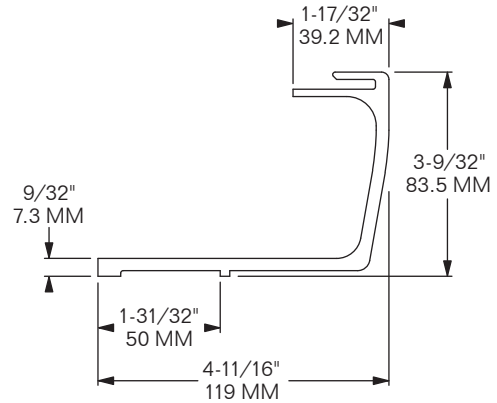
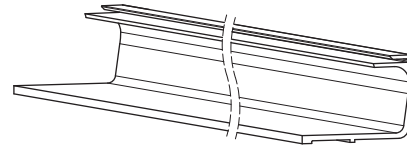
### MODEL 1405-7447



**LENGTH:** 102-1/2" / 2,604 MM  
**MATERIAL:** PVC **COLOR:** TAN  
**WEIGHT:** 6.38 LBS / 2.89 Kg

### MODEL 1405-7448

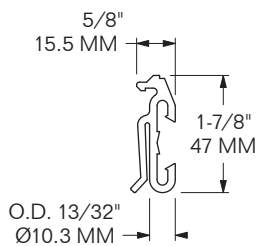
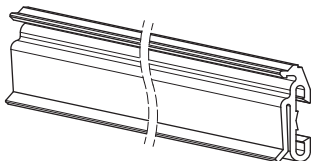
#### DOOR FRAME STRIKER



**LENGTH:** 102-1/2" / 2,603.5 MM  
**MATERIAL:** PVC **COLOR:** OFF-WHITE  
**WEIGHT:** 10.95 LBS / 4.97 Kg

### MODEL 1405-7449

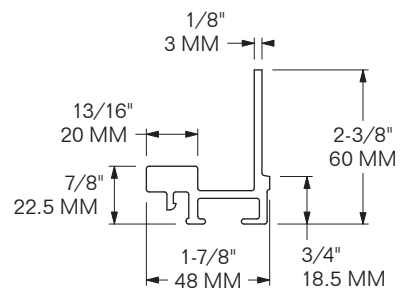
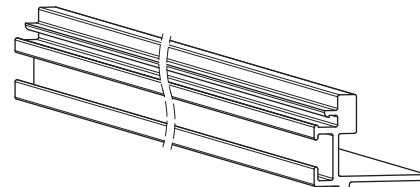
#### GASKET HOLDER



**SUB FOR:** CIMC 06-012-2, 40HR PVC  
**FITS:** CIMC, HYUNDAI 40' REEFER  
**LENGTH:** 102-1/2" / 2,603.5 MM  
**MATERIAL:** PVC **COLOR:** OFF-WHITE  
**WEIGHT:** 2.9 LBS / 1.32 Kg

#### SPECIAL ORDER ONLY

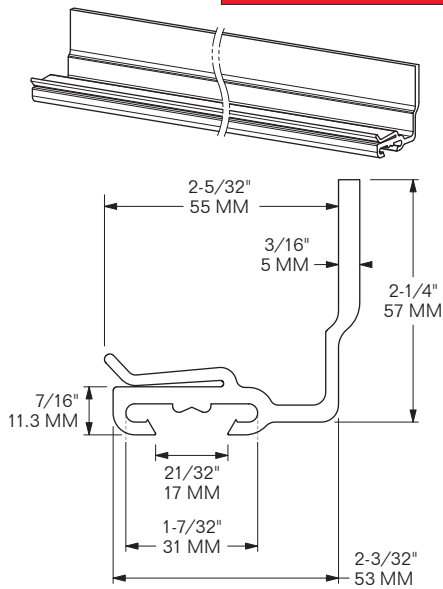
### MODEL 1405-7528



**SUB FOR:** CIMC 06-011 **FITS:** CIMC 40' REEFER  
**LENGTH:** 102-3/8" / 2,600 MM  
**MATERIAL:** ALUMINUM **FINISH:** SELF-COLOR  
**WEIGHT:** 8.6 LBS / 3.9 Kg

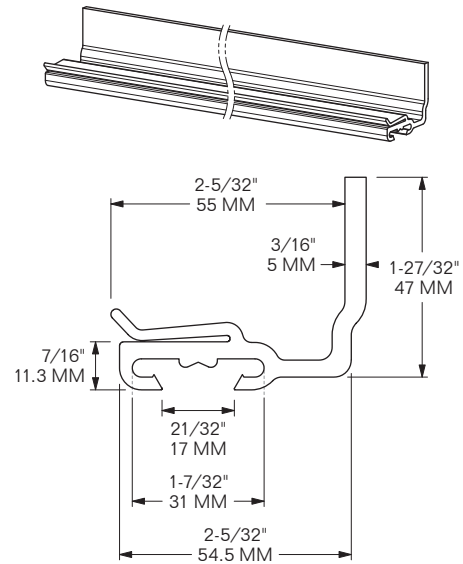


### MODEL 1405-7621



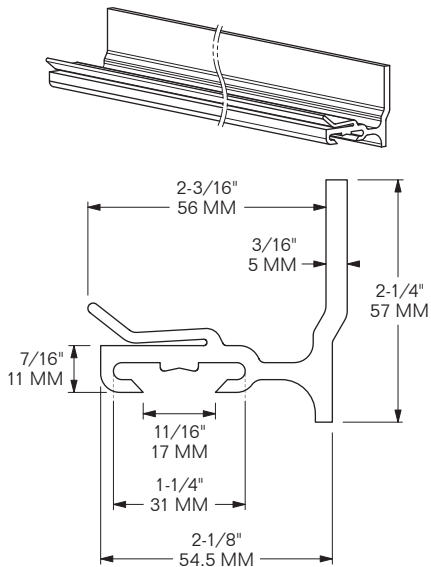
**FITS:** CIMC 40' REEFER **SUB FOR:** CIMC 06-008  
**LENGTH:** 99-3/16" / 2,519.4 MM  
**MATERIAL:** PVC **COLOR:** GRAY  
**WEIGHT:** 5.86 LBS / 2.66 Kg

### MODEL 1405-7622



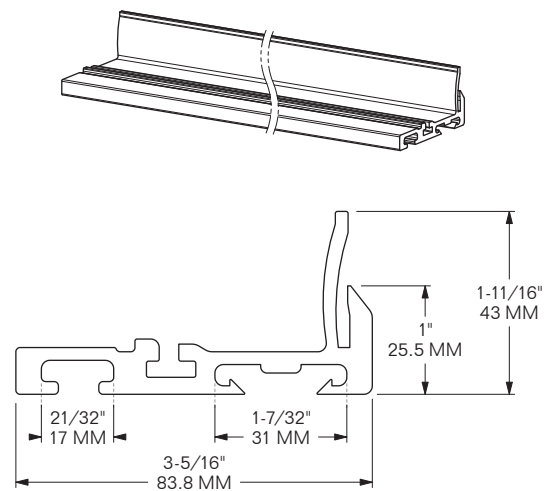
**FITS:** CIMC 40' REEFER **SUB FOR:** CIMC 06-009  
**LENGTH:** 99-3/16" / 2,519.4 MM  
**MATERIAL:** PVC **COLOR:** GRAY  
**WEIGHT:** 6.02 LBS / 2.73 Kg

### MODEL 1405-7715



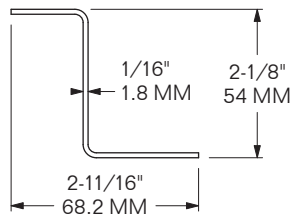
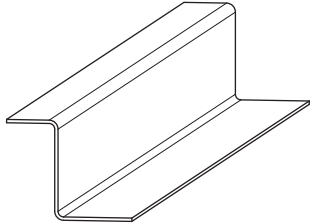
**FITS:** CIMC 40' REEFER **SUB FOR:** CIMC 06-010  
**LENGTH:** 102-5/8" / 2,606 MM  
**MATERIAL:** PVC **COLOR:** WHITE  
**WEIGHT:** 6 LBS / 2.72 Kg

### MODEL 1405-8987



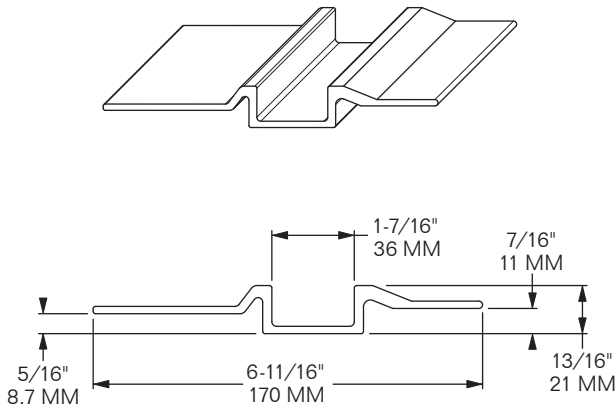
**FITS:** CIMC 40' REEFER **SUB FOR:** CIMC DA-W8G  
**LENGTH:** 98-7/16" / 2,500 MM  
**MATERIAL:** PVC **COLOR:** WHITE  
**WEIGHT:** 5.7 LBS / 2.6 Kg

**MODEL 1405-7439**  
**DOOR STRINGER / SPACER**



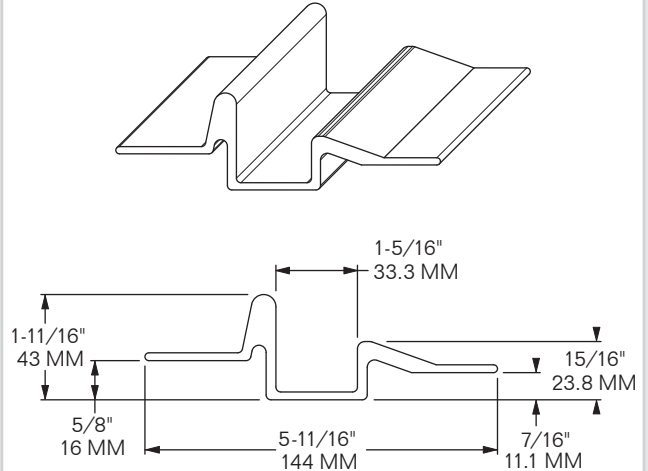
**FITS:** REEFER DOOR    **LENGTH:** 100" / 2,540 MM  
**MATERIAL:** FAB. STEEL    **FINISH:** PRIMER  
**WEIGHT:** 9.21 LBS / 4.18 Kg

**MODEL 1405-6825**  
**DOOR SILL GUTTER**



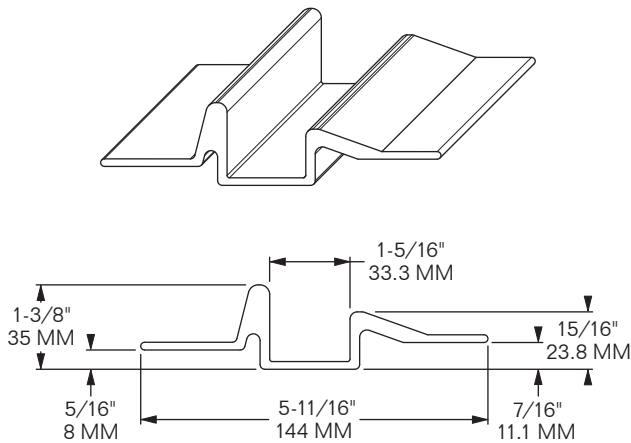
**FITS:** CIMC 40' REEFER **SUB FOR:** CIMC 03-013  
**LENGTH:** 89-15/16" / 2,284 MM  
**MATERIAL:** ALUMINUM **FINISH:** SELF-COLOR  
**WEIGHT:** 10 LBS / 4.54 Kg

**MODEL 1405-6826**  
**DOOR SILL SIDE**



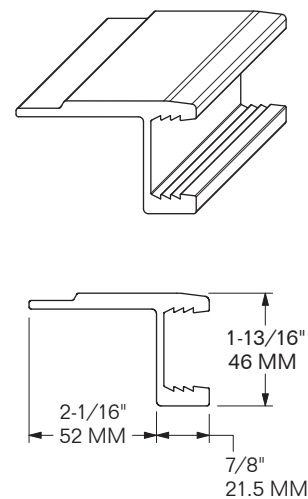
**FITS:** CIMC 40' REEFER **SUB FOR:** CIMC 03-015  
**LENGTH:** 89-15/16" / 2,284 MM  
**MATERIAL:** ALUMINUM **FINISH:** SELF-COLOR  
**WEIGHT:** 12 LBS / 5.44 Kg

**MODEL 1405-6827**  
**DOOR SILL GUTTER**



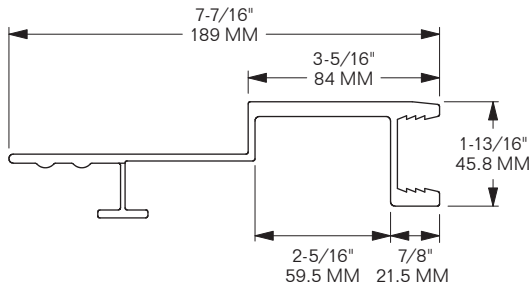
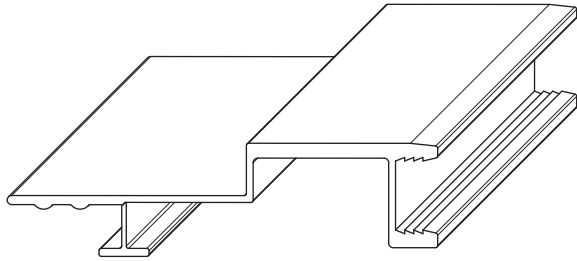
**FITS:** CIMC 40' REEFER **SUB FOR:** CIMC 03-016  
**LENGTH:** 89-15/16" / 2,284 MM  
**MATERIAL:** ALUMINUM **FINISH:** SELF-COLOR  
**WEIGHT:** 11 LBS / 4.99 Kg

**MODEL 1405-7809**  
**DOOR JAMB FRAME**



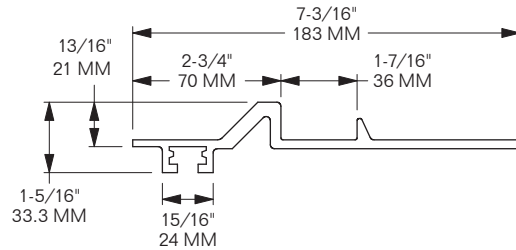
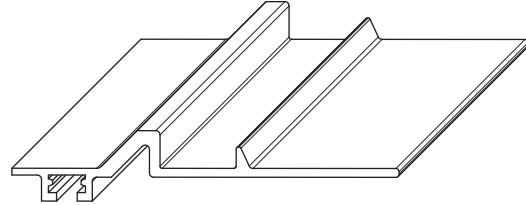
**FITS:** MCIQ 40' REEFER **SUB FOR:** MAERSK 7840056  
**LENGTH:** 98" / 2,489 MM  
**MATERIAL:** ALUMINUM **FINISH:** SELF-COLOR  
**WEIGHT:** 10 LBS / 4.54 Kg

**MODEL 1405-7810**



**FITS:** CIMC 40' REEFER **SUB FOR:** CIMC GB03-H67-A2  
**LENGTH:** 91-3/4" / 2,330 MM  
**MATERIAL:** ALUMINUM **FINISH:** SELF-COLOR  
**WEIGHT:** 18.8 LBS / 8.5 Kg

**SPECIAL ORDER ONLY MODEL 1405-7845**



**FITS:** CIMC 40' REEFER  
**SUB FOR:** CIMC 03-009, TB08-N201-A2  
**LENGTH:** 91-3/4" / 2,330 MM **MATERIAL:** ALUMINUM  
**FINISH:** SELF-COLOR **WEIGHT:** 15.1 LBS / 6.85 Kg