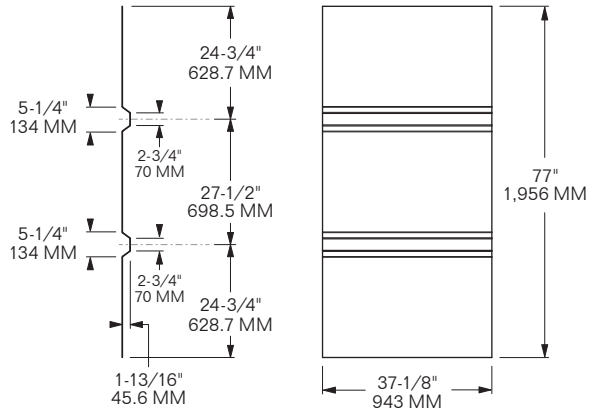


SPECIAL ORDER ONLY

MODEL 1403-2357

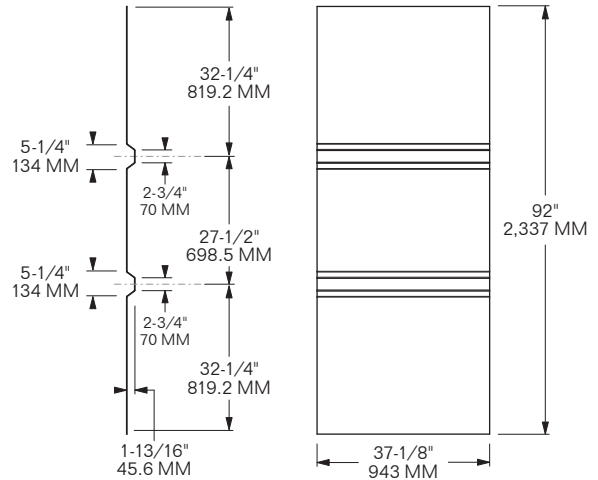
DOOR SKIN, 2 Corrugation



SUB FOR: CIMC D04-01A/B **FITS:** 8'6" x 20' & 40' ISO
THICKNESS: 3/32" / 2 MM **MATERIAL:** CORTEN STEEL
FINISH: PRIMER **WEIGHT:** 58.5 LBS / 26.5 Kg

MODEL 1403-2358

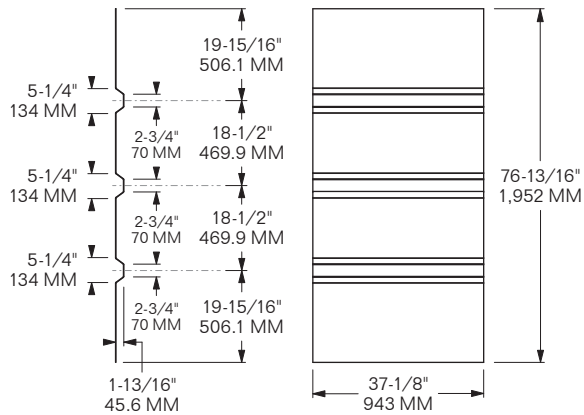
DOOR SKIN, 2 Corrugation



FITS: 9'6" HIGH-CUBE x 20', 40' & 45' ISO
THICKNESS: 3/32" / 2 MM **MATERIAL:** CORTEN STEEL
FINISH: PRIMER **WEIGHT:** 75 LBS / 34 Kg

MODEL 1403-2359

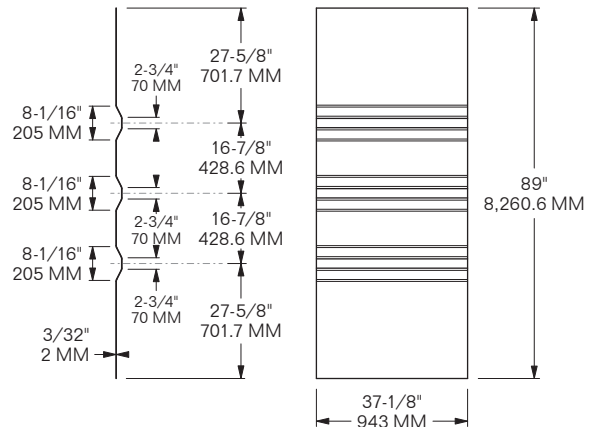
DOOR SKIN, 3 Corrugation



SUB FOR: CIMC D04-02A **FITS:** 8'6" x 20' & 40' ISO
THICKNESS: 3/32" / 2 MM **MATERIAL:** CORTEN STEEL
FINISH: PRIMER **WEIGHT:** 64 LBS / 29 Kg

MODEL 1403-7462

DOOR SKIN, 3 Corrugation



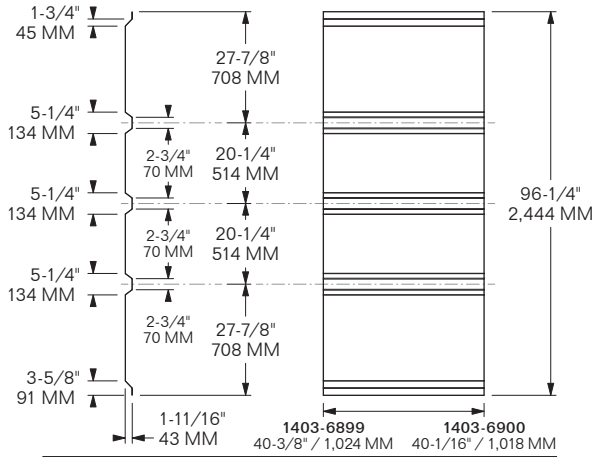
SUB FOR: CIMC D04-02B **FITS:** 9'6" HIGH-CUBE ISO
THICKNESS: 3/32" / 2 MM **MATERIAL:** CORTEN STEEL
FINISH: PRIMER **WEIGHT:** 75 LBS / 34.02 Kg

MODEL 1403-6899

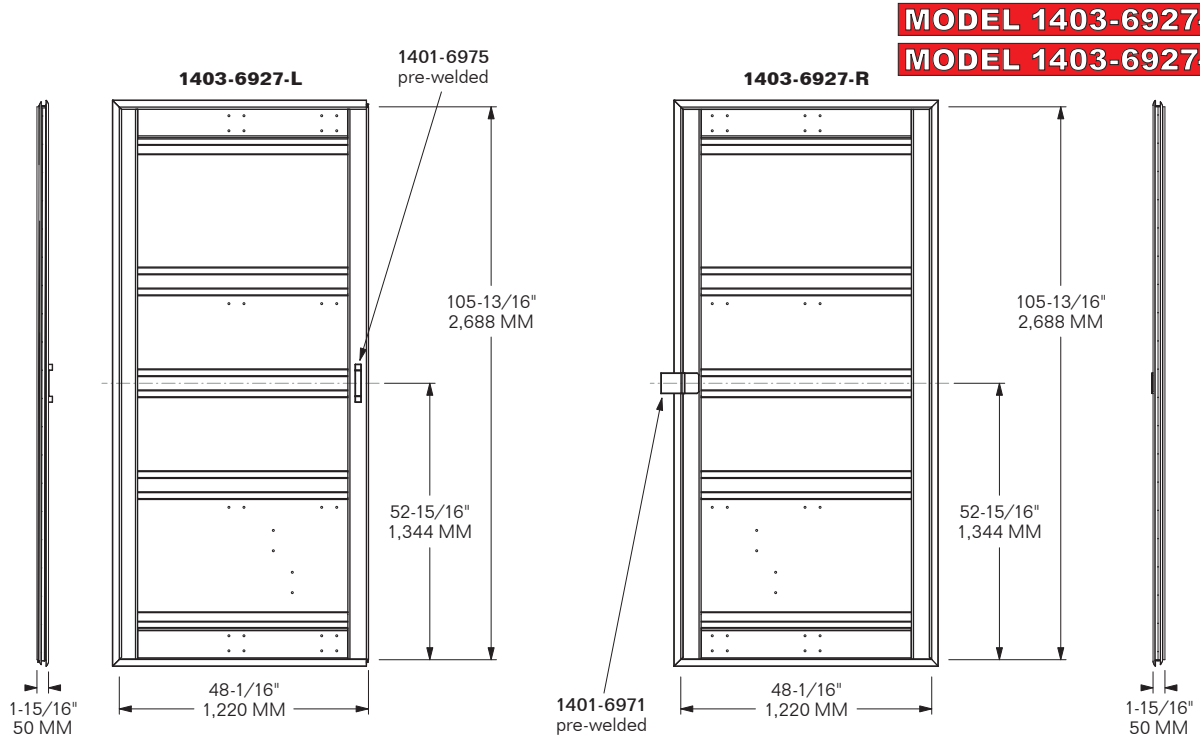
SUB FOR: JINDO AF0102-1353, 40-3/8" WIDE
FITS: JINDO 53' w/ 110" DOOR OPENING (spec #1)

MODEL 1403-6900

SUB FOR: JINDO AF0102-1453, 40-1/8" WIDE
FITS: JINDO 53' w/ 110" DOOR OPENING (spec #2)



THICKNESS: 1/16" / 1.6 MM
MATERIAL: CORTEN STEEL **FINISH:** PRIMER
1403-6899 WEIGHT: 64.6 LBS / 29.3 Kg
1403-6900 WEIGHT: 72.8 LBS / 33 Kg



MODEL 1403-6927-L
MODEL 1403-6927-R

FITS JINDO CONTAINERS: PACER 48' x 107", PACER 53' x 107" SPEC #1 & PACER 53' x 107" SPEC #2.
DOORS PRE-DRILLED FOR HARDWARE & GASKETS PRE-MOUNTED. ALL DIMENSIONS SHOWN FROM DOOR EDGES.

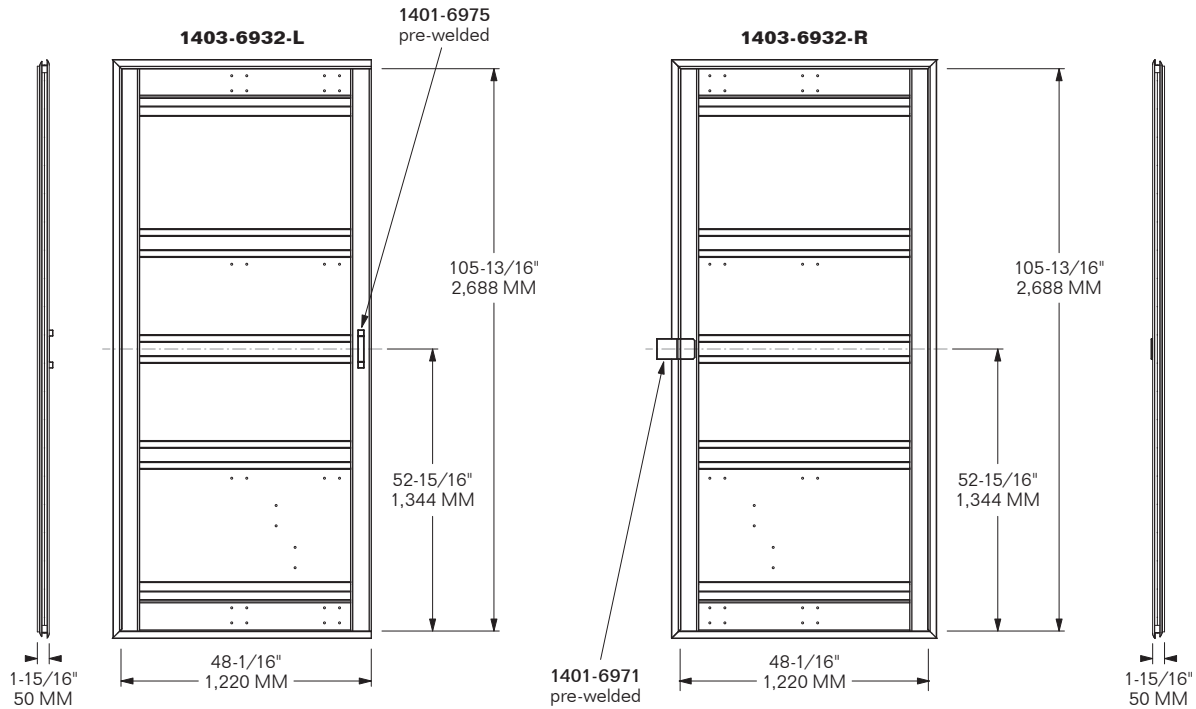
PARTS BELOW SOLD SEPARATELY, EXCEPT **1401-6971** & **1401-6975** THAT ARE PRE-WELDED TO THE DOORS.

MODEL #	DESCRIPTION	QTY. for 6927-L	QTY. for 6927-R	PACER 48' x 107"	PACER 53' x 107" spec #1	PACER 53' x 107" spec #2
1401-6895-LL	Lock Rod Assembly (left-locking)	1	1	●	●	●
1401-6895-RL	Lock Rod Assembly (right-locking)	1	1	●	●	●
1402-6873	Hinge, 3" x 5-5/8" w/ nylon bushing	4	4	●	●	●
1402-6874	Hinge, 4" x 5-5/8" w/ nylon bushing	5	5	●	●	●
1401-2173	Long Bearing Bracket	4	4	●	●	●
1401-2175	Short Bearing Bracket	4	4	●	●	●
1401-7323	Gasket for Short Bearing Bracket	4	4	●	●	●
1401-2613	Split Bushing Halves (long)	8	8	●	●	●
1401-6156	Split Bushing Halves (short)	8	8	●	●	●
1401-7322	Gasket for Long Bearing Bracket	4	4	●	●	●
1401-2473	Retainer Plate for Handle	2	2	●	●	●
1401-2474	Retainer Catch for Handle	2	2	●	●	●
1401-2179	Bushing for Retainer Catch	2	2	●	●	●
1401-7324-1MM	Gasket for Retainer Plate	2	2	●	●	●
1402-6872	Hinge Pin, 4"	4	4	●	●	●
1402-6871	Hinge Pin, 5"	5	5	●	●	●
1402-4674-SS	Flat Washer for Hinge	4	4	●	●	●
		5	5	●	●	●
1401-6971	Anti-Rack Plate	0	1	●	●	●
1401-6975	Anti-Rack Bracket	1	0	●	●	●

SUB FOR: JINDO PA048-SP02-LH/RH **FITS:** JINDO 48' x 107" & 53' w/ 107" DOOR OPENING (spec 1 & 2) / PACER
MATERIAL: CORTEN STEEL **FINISH:** GRAY PRIMER
1403-6927-L WEIGHT: 179 LBS / 81.19 Kg **1403-6927-R WEIGHT:** 178 LBS / 80.74 Kg

MODEL 1403-6932-L

MODEL 1403-6932-R



FITS JINDO CONTAINER: CSX 48' x 107".

DOORS PRE-DRILLED FOR HARDWARE & GASKETS PRE-MOUNTED. ALL DIMENSIONS SHOWN FROM DOOR EDGES.

PARTS BELOW SOLD SEPARATELY, EXCEPT **1401-6971** & **1401-6975** THAT ARE PRE-WELDED TO THE DOORS.

MODEL #	DESCRIPTION	QTY. for 6932-L	QTY. for 6932-R
1401-6895-LL	Lock Rod Assembly (left-locking)	1	1
1401-6895-RL	Lock Rod Assembly (right-locking)	1	1
1402-6874	Hinge, 4" x 5-5/8" w/ nylon bushing	5	5
1401-2173	Long Bearing Bracket	4	4
1401-2175	Short Bearing Bracket	4	4
1401-7323	Gasket for Short Bearing Bracket	4	4
1401-2613	Split Bushing Halves (long)	4	6
1401-6156	Split Bushing Halves (short)	8	8
1401-7322	Gasket for Long Bearing Bracket	4	4
1401-2473	Retainer Plate for Handle	2	2
1401-2474	Retainer Catch for Handle	2	2
1401-2179	Bushing for Retainer Catch	2	2
1401-7324-1MM	Gasket for Retainer Plate	2	2
1402-6871	Hinge Pin, 5"	5	5
1402-4674-SS	Flat Washer for Hinge	5	5
1401-6971	Anti-Rack Plate	0	1
1401-6975	Anti-Rack Bracket	1	0

SUB FOR: JINDO CX48-LH/RH **FITS:** JINDO 48' w/ 107" DOOR OPENING / CSX **MATERIAL:** CORTEN STEEL
FINISH: GRAY PRIMER **1403-6932-L WEIGHT:** 172 LBS / 78.02 Kg **1403-6932-R WEIGHT:** 185 LBS / 83.91 Kg

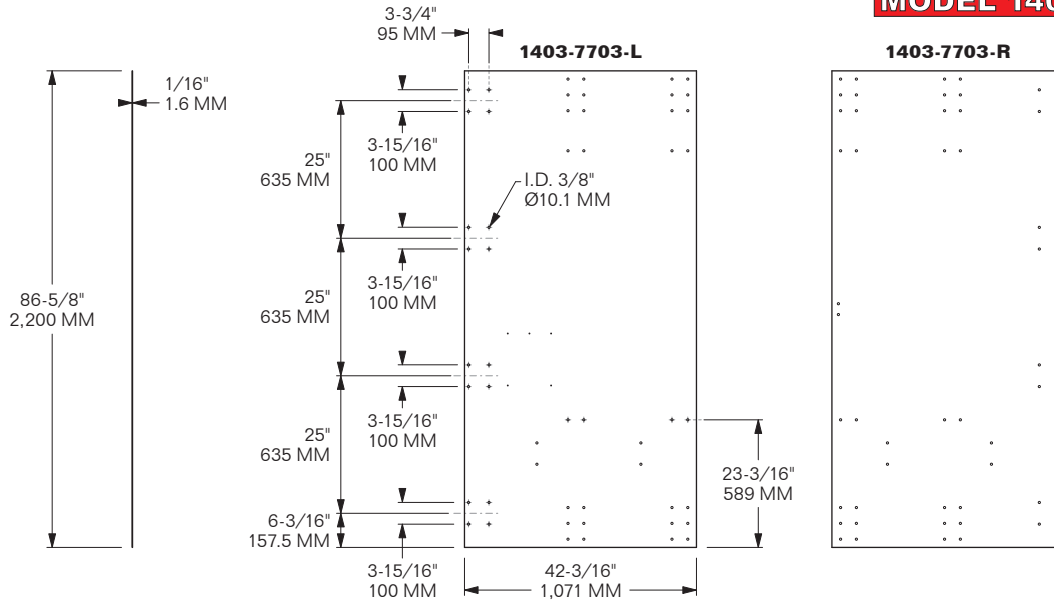


CONTAINER DOOR PANELS

FLAT, PRE-DRILLED
REEFER CONTAINERS

MODEL 1403-7703-L

MODEL 1403-7703-R



FITS: CIMC DA23-D201-MO (L), DA23-A201-MO (R) **FITS:** CIMC HIGH-CUBE REEFER
MATERIAL: MUFFLER-GRADE STAINLESS STEEL **FINISH:** SELF-COLOR **WEIGHT:** 65.2 LBS / 29.6 Kg

BUFFERS USA INC

"The Intermodal Hardware Specialists"

1403-6

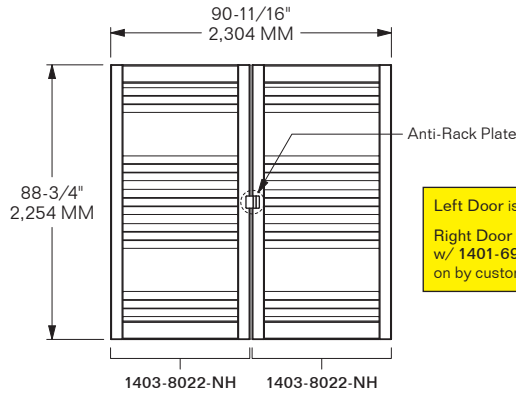


904-696-0010

E-mail: sales@buffersusa.com

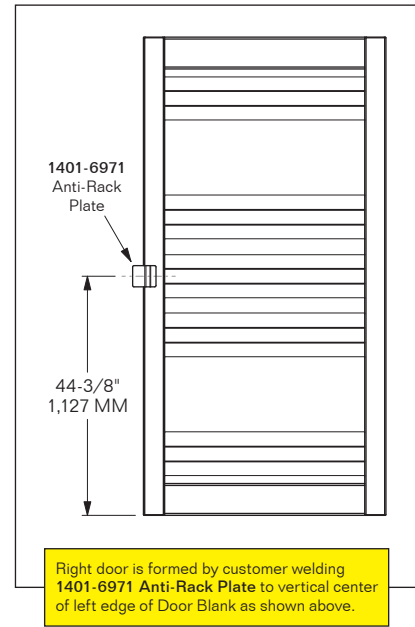
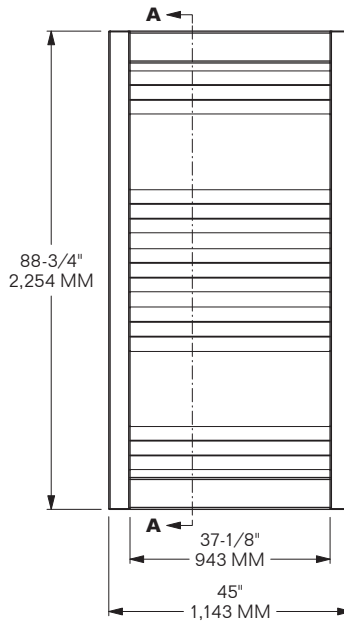
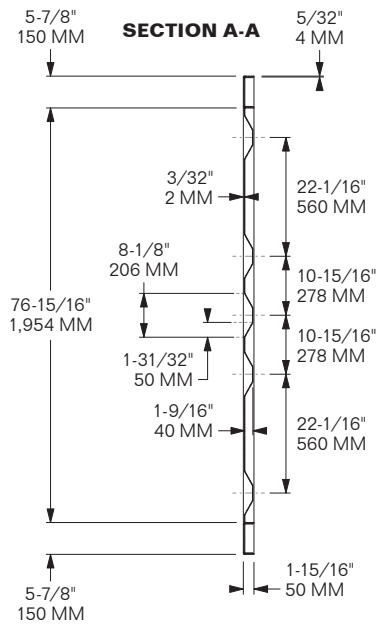
MODEL 1403-8022-NH

SINGLE DOOR BLANK,
CIMC style, 5 Corrugation



Left Door is 1403-8022-NH Door Blank.
Right Door is 1403-8022-NH Door Blank w/ 1401-6971 Anti-Rack Plate (to be welded on by customer - see Figure 1 below).

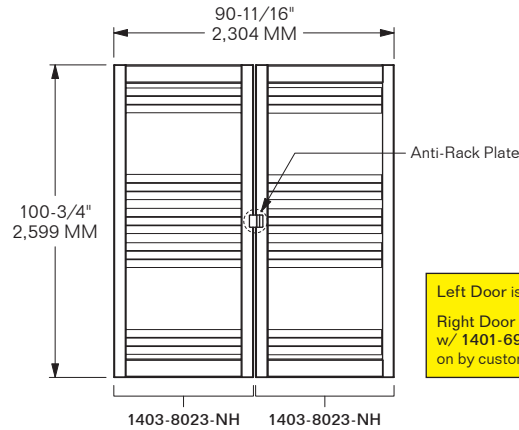
FIGURE 1



FITS: STANDARD 8' 6" HIGH x 8' WIDE DRY ISO CONTAINERS **WORKS WITH:** 1401-6971 ANTI-RACK PLATE
MATERIAL: CORTEN STEEL **FINISH:** PRIMER **WEIGHT:** 170.5 LBS / 77.3 Kg

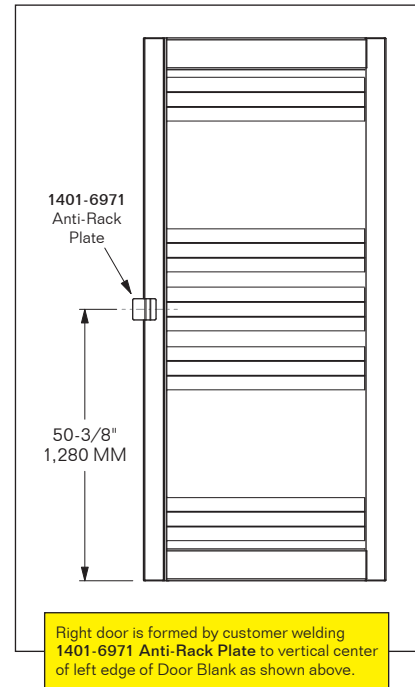
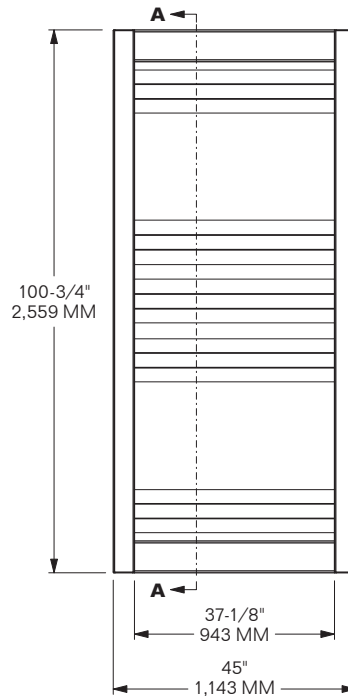
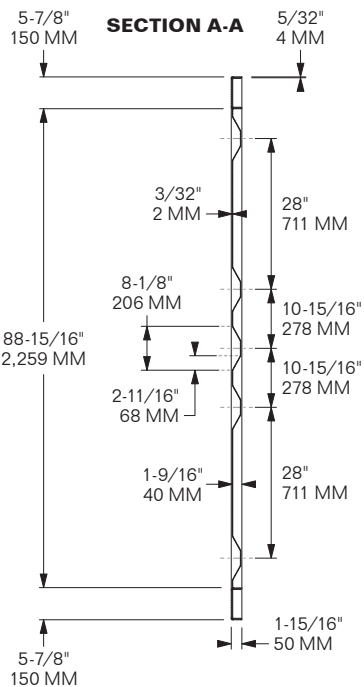
MODEL 1403-8023-NH

SINGLE DOOR BLANK,
CIMC style, 5 Corrugation



Left Door is 1403-8023-NH Door Blank.
Right Door is 1403-8023-NH Door Blank w/ 1401-6971 Anti-Rack Plate (to be welded on by customer - see Figure 1 below).

FIGURE 1



FITS: HIGH-CUBE 9'6" HIGH x 8' WIDE DRY ISO CONTAINERS **WORKS WITH:** 1401-6971 ANTI-RACK PLATE
MATERIAL: CORTEN STEEL **FINISH:** PRIMER **WEIGHT:** 194 LBS / 88 Kg



CONTAINER DOOR BLANKS

for 102-3/8" WIDE w/ 110" DOOR OPENING
DOMCON CONTAINERS

