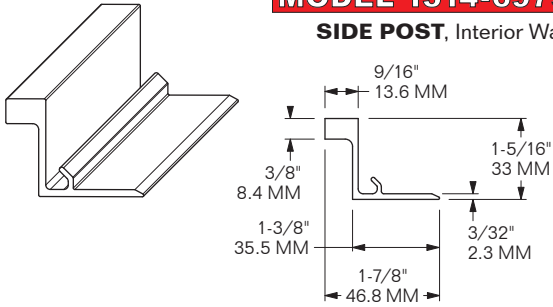
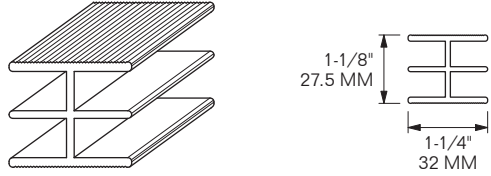


**MODEL 1314-6979**  
**SIDE POST, Interior Wall**



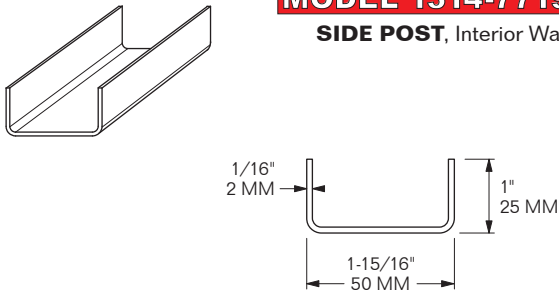
**FITS:** 40' REEFER CONTAINER  
**LENGTH:** 102-3/8" / 2,600 MM  
**MATERIAL:** ALUMINUM **FINISH:** SELF-COLOR  
**WEIGHT:** 4.1 LBS / 1.86 Kg

**MODEL 1314-7718**  
**SIDE POST, Interior Wall**



**SUB FOR:** CIMC SA19-A100-A2  
**FITS:** CIMC 40' REEFER  
**LENGTH:** 89-3/16" / 2,265 MM  
**MATERIAL:** ALUMINUM **FINISH:** SELF-COLOR  
**WEIGHT:** 3.46 LBS / 1.57 Kg

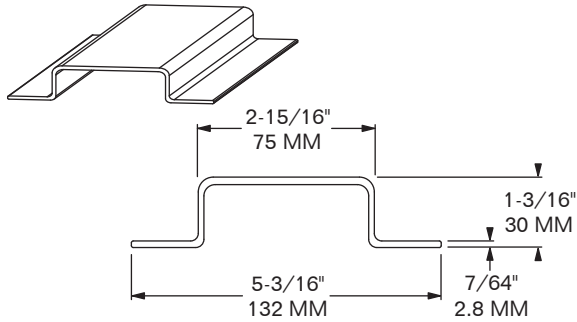
**MODEL 1314-7719**  
**SIDE POST, Interior Wall**



**FITS:** CIMC 40' REEFER **LENGTH:** 70-7/8" / 1,800 MM  
**MATERIAL:** ALUMINUM **FINISH:** SELF-COLOR  
**WEIGHT:** 1.95 LBS / 0.88 Kg



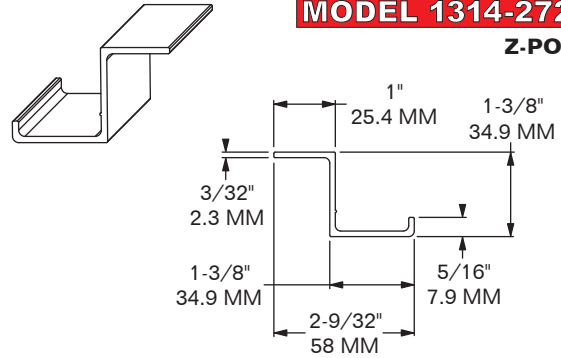
**MODEL 1314-2706**



**SUB FOR:** HYUNDAI 10004925 **LENGTH:** 107-1/2"  
**MATERIAL:** ALUMINUM **FINISH:** SELF-COLOR  
**WEIGHT:** 8.1 LBS / 3.67 Kg

**MODEL 1314-2728**

**Z-POST**



**LENGTH:** 108-1/8" **MATERIAL:** ALUMINUM  
**FINISH:** SELF-COLOR **WEIGHT:** 3.6 LBS / 1.65 Kg