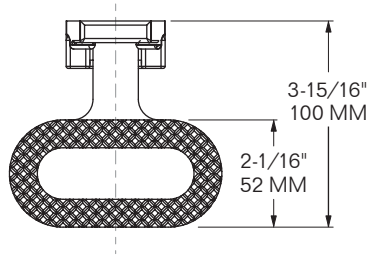
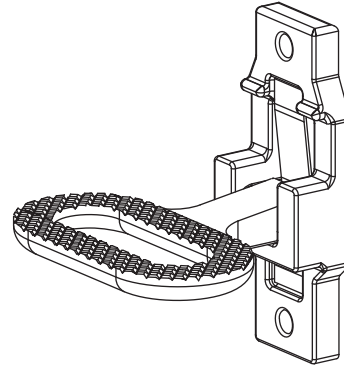
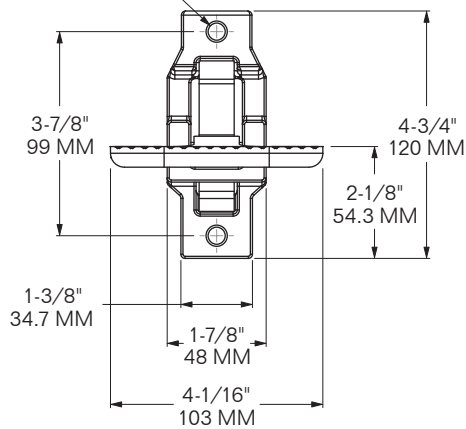


MODEL 1312-2459

SPRING-LOADED POSITIONS



I.D. 5/16"
Ø8.3 MM MOUNTING HOLE x 2 PLACES



FITS: REEFER VAN TRAILERS
MATERIAL: POLISHED CAST STAINLESS
STEEL BODY PARTS w/ STAINLESS STEEL SPRING
FINISH: ZINC-PLATED **WEIGHT:** 1.25 LBS / 0.57 Kg