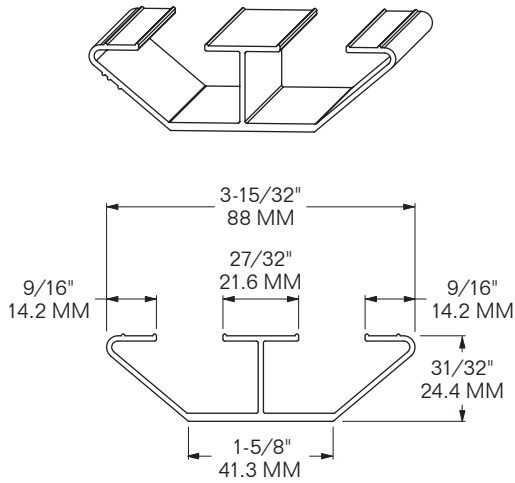
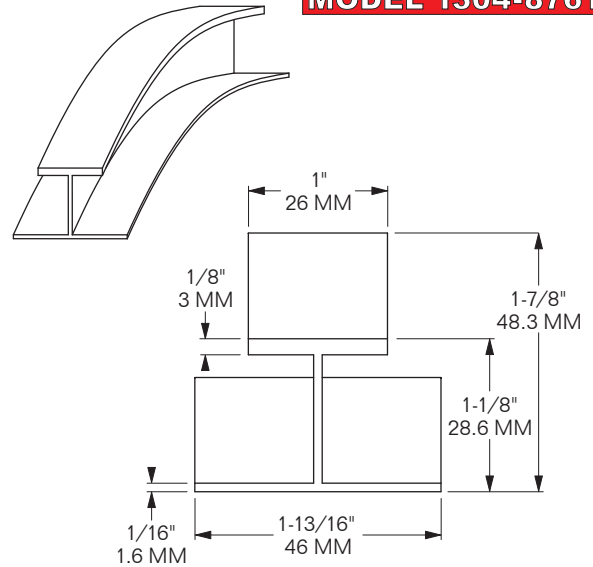


MODEL 1304-2726



SUB FOR: GREAT DANE 43000040,
HYUNDAI 10003468, PINES AE 52312-9913
LENGTH: 99-1/8" / 2,518 MM
MATERIAL: ALUMINUM
FINISH: SELF-COLOR
WEIGHT: 4.5 LBS / 2.04 Kg

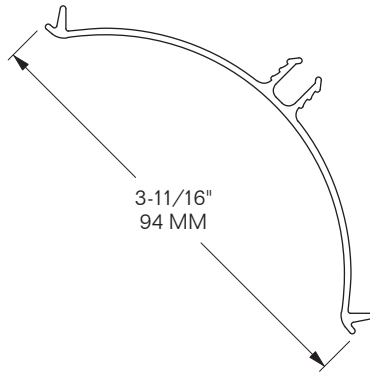
MODEL 1304-8761



SUB FOR: MANAC 502407-C
LENGTH: 98-1/4" / 2,496 MM
MATERIAL: ALUMINUM **FINISH:** SELF-COLOR
WEIGHT: 2.7 LBS / 1.2 Kg

MODEL 1304-7583

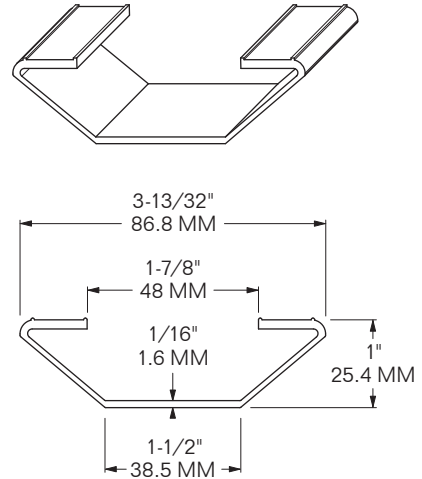
OUTER COVE MOULD



SUB FOR: SINGAMAS PF-005-09
FITS: CIMC 19' REEFER **LENGTH:** 19' / 5,791 MM
MATERIAL: ALUMINUM **FINISH:** SELF-COLOR
WEIGHT: 6.84 LBS / 3.1 Kg

MODEL 1304-7653

ROOF BOW, Anti-s snag

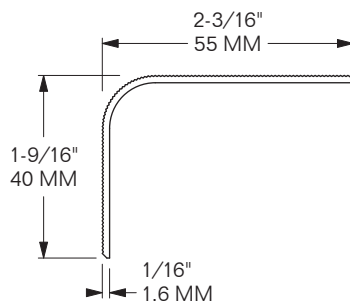


SUB FOR: CIMC 11-009 **FITS:** CIMC REEFER
LENGTH: 92-5/16\" / 2,347 MM
MATERIAL: ALUMINUM **FINISH:** SELF-COLOR
WEIGHT: 4.54 LBS / 2.06 Kg

MODEL 1304-7856

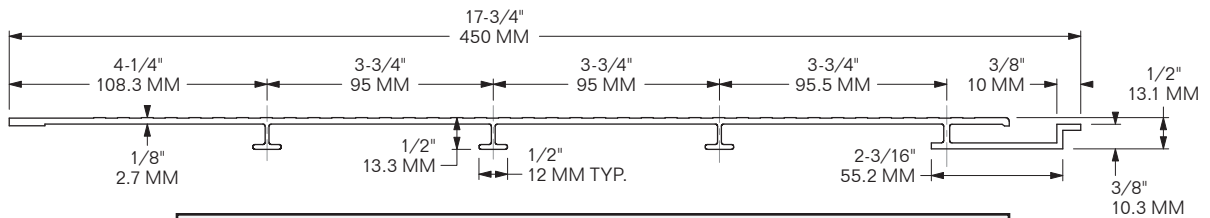
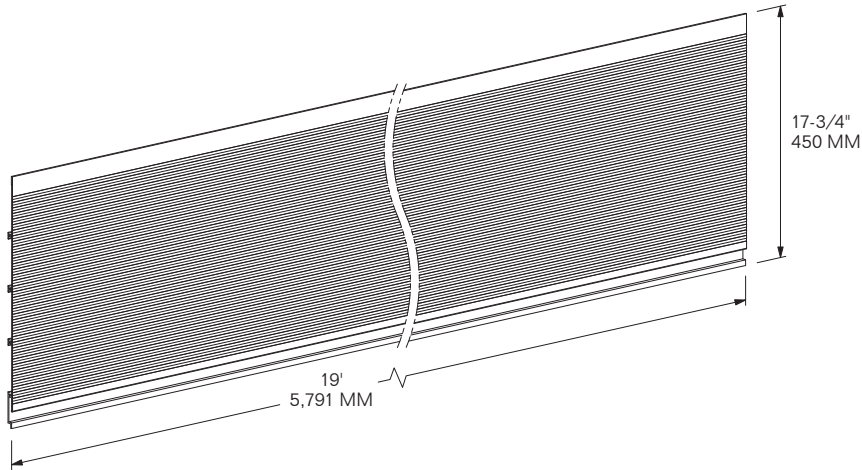
OUTER COVE MOULD

SPECIAL ORDER ONLY



SUB FOR: CIMC GB01-J204-A2
FITS: CIMC 40' REEFER
LENGTH: 19' 2-7/16\" / 5,852 MM
MATERIAL: ALUMINUM **FINISH:** SELF-COLOR
WEIGHT: 4.5 LBS / 2.04 Kg

MODEL 1304-7707



SUB FOR: CIMC SA-W36C **FITS:** CIMC 40' REEFER
MATERIAL: ALUMINUM **FINISH:** SELF-COLOR **WEIGHT:** 48.8 LBS / 22.1 Kg