

MODEL 1201-2422

FRONT PANEL
for Jindo/Pacer 48' & 53' x 107"
4 Corrugation
38-7/8" x 102-1/2"

SUB FOR: JINDO AD0501-2089 **FITS:** PACER 48', 53' x 107" **THICKNESS:** 1/16" / 1.6 MM
LENGTH: 102-1/2" / 2,603 MM **MATERIAL:** CORTEN STEEL **FINISH:** PRIMER **WEIGHT:** 79.5 LBS / 36.1 Kg

MODEL 1201-2629

FRONT PANEL for Pacer 53' x 110"
& CSX/Hub/Jindo/Swift 53'
4 Corrugation
44-9/16" x 101-3/8"

SUB FOR: JINDO AD0501-2298 & AD0501-2299 **FITS:** PACER 53' x 110"; CSX, HUB & SWIFT 53' **THICKNESS:** 1/16" / 1.6 MM
LENGTH: 101-3/8" / 2,575 MM **MATERIAL:** CORTEN STEEL **FINISH:** PRIMER **WEIGHT:** 82 LBS / 37.19 Kg

MODEL 1201-6939

FRONT PANEL for High Cube
Singamas/CIMC 53' &
Trailer Bridge 53' x 107"
5 Corrugation
40-5/16" x 106-1/4"

SUB FOR: CIMC D03-02B **FITS:** CIMC & SINGAMAS 53'; TRAILER BRIDGE 53' x 107" **THICKNESS:** 1/16" / 1.6 MM
LENGTH: 106-1/4" / 2,700 MM **MATERIAL:** CORTEN STEEL **FINISH:** PRIMER **WEIGHT:** 91.5 LBS / 41.5 Kg

MODEL 1201-7911

MIDDLE FRONT PANEL
for CIMC/J.B. Hunt 53'
4 Corrugation
37-1/4" x 83-7/16"

SUB FOR: CIMC CDAD53-0102F-22, JBH 31712, NAVISTAR 9220-008A **FITS:** CIMC, J.B. HUNT 53' **THICKNESS:** 1/16" / 1.6 MM
LENGTH: 83-7/16" / 2,120 MM **MATERIAL:** CORTEN STEEL **FINISH:** PRIMER **WEIGHT:** 70 LBS / 31.8 Kg

MODEL 1201-7913

LOWER FRONT PANEL
for CIMC/J.B. Hunt 53'
2.5 Corrugation,
38" x 83-7-16"

SUB FOR: CIMC CDAD53-0102F-22, JBH 31702, NAVISTAR 9220-014R **FITS:** CIMC, J.B. HUNT 53' **THICKNESS:** 1/16" / 1.6 MM
LENGTH: 83-7/16" / 2,120 MM **MATERIAL:** CORTEN STEEL **FINISH:** PRIMER **WEIGHT:** 63.7 LBS / 28.9 Kg

MODEL 1201-7914

UPPER FRONT PANEL
for CIMC/J.B. Hunt 53'
1.5 Corrugation
26-3/8" x 83-7/16"

SUB FOR: CIMC CDAD53-0101F-223 & NAVISTAR 9220-014R **FITS:** CIMC, J.B. HUNT 53' **THICKNESS:** 1/16" / 1.6 MM
LENGTH: 83-7/16" / 2,120 MM **MATERIAL:** CORTEN STEEL **FINISH:** PRIMER **WEIGHT:** 43.5 LBS / 19.7 Kg

MODEL 1201-7923

LOWER FRONT PANEL
for J.B. Hunt/Singamas 53'
2.5 Corrugation,
36" x 82.4"

FITS: J.B. HUNT, SINGAMAS 53' **THICKNESS:** 1/16" / 1.6 MM **LENGTH:** 82-7/16" / 2,094 MM
MATERIAL: CORTEN STEEL **FINISH:** PRIMER **WEIGHT:** 57.5 LBS / 26.1 Kg

MODEL 1201-7924

CENTER FRONT PANEL
for J.B. Hunt/Singamas 53'
4 Corrugation
31-11/16" x 82-7/16"

FITS: J.B. HUNT, SINGAMAS 53' **THICKNESS:** 1/16" / 1.6 MM **LENGTH:** 82-7/16" / 2,094 MM
MATERIAL: CORTEN STEEL **FINISH:** PRIMER **WEIGHT:** 41.6 LBS / 18.9 Kg

MODEL 1201-7925

UPPER FRONT PANEL
 for J.B. Hunt/Singamas 53'
 2.5 Corrugation,
 34-7/32" x 82-17/32"

FITS: J.B. HUNT, SINGAMAS 53' **THICKNESS:** 3/64" / 1.2 MM **LENGTH:** 82-17/32" / 2,096 MM
MATERIAL: DOCOL STEEL **FINISH:** PRIMER **WEIGHT:** 42.5 LBS / 19.3 Kg

MODEL 1201-8152

LEFT FRONT PANEL
 for Ferromex/Singamas 53'
 5 Corrugation
 44-13/32" x 101-1/2"

SUB FOR: SINGAMAS 53-302004 **FITS:** FERROMEX, SINGAMAS 53' **THICKNESS:** 1/16" / 1.6 MM
LENGTH: 101-1/2" / 2,578 MM **MATERIAL:** CORTEN STEEL **FINISH:** PRIMER **WEIGHT:** 84 LBS / 38.1 Kg

MODEL 1201-8153

RIGHT FRONT PANEL
 for Ferromex/Singamas 53'
 4 Corrugation,
 35.6" x 101.5"

SUB FOR: SINGAMAS 53-302005 **FITS:** FERROMEX, SINGAMAS 53' **THICKNESS:** 1/16" / 1.6 MM
LENGTH: 101-1/2" / 2,578 MM **MATERIAL:** CORTEN STEEL **FINISH:** PRIMER **WEIGHT:** 63 LBS / 28.6 Kg

MODEL 1201-8413

LEFT FRONT PANEL
 for Singamas/Swift 53'
 5 Corrugation
 43-7/8" x 101-3/8"

SUB FOR: SINGAMAS 53-302004 **FITS:** SINGAMAS, SWIFT 53' **THICKNESS:** 5/64" / 2 MM
LENGTH: 101-13/32" / 2,576 MM **MATERIAL:** CORTEN STEEL **FINISH:** PRIMER **WEIGHT:** 105.9 LBS / 48 Kg

MODEL 1201-8414

RIGHT FRONT PANEL
for Singamas/Swift 53'
4 Corrugation
35-7/16" x 101-13/32"

SUB FOR: SINGAMAS 53-302005 **FITS:** SINGAMAS & SWIFT 53' **THICKNESS:** 1/16" / 1.6 MM
LENGTH: 101-13/32" / 2,576 MM **MATERIAL:** CORTEN STEEL **FINISH:** PRIMER **WEIGHT:** 85.4 LBS / 38.7 Kg

MODEL 1201-8518

FRONT PANEL
for CIMC/CSX 53'
5 Corrugation
40-1/16" x 101-13/32"

FITS: CIMC NCSE10S & CSX 53' **THICKNESS:** 1/16" / 1.6 MM **LENGTH:** 101-13/32" / 2,576 MM
MATERIAL: CORTEN STEEL **FINISH:** PRIMER **WEIGHT:** 79.1 LBS / 35.9 Kg

MODEL 1201-8677

FRONT PANEL for Generic 53' x 102'
5 Corrugation, 31-1/2" x 82-1/2"

SUB FOR: CIMC-AD53-0302E-26-X, JBH 18554 **FITS:** 53' x 102' GENERIC **THICKNESS:** 3/64" / 1.2 MM
LENGTH: 82-1/2" / 2,096 MM **MATERIAL:** DOCOL STEEL **FINISH:** PRIMER **WEIGHT:** 41 LBS / 18.6 Kg

MODEL 1201-8867

FRONT PANEL
for Jindo 48'
4 Corrugation
38-7/8" x 102-1/2"

FITS: JINDO 48' **THICKNESS:** 3/64" / 1.2 MM **LENGTH:** 102-1/2" / 2,603 MM
MATERIAL: DOCOL STEEL **FINISH:** PRIMER **WEIGHT:** 62 LBS / 28.1 Kg

MODEL 1201-8968

FRONT PANEL (Upper)
for Singamas 53'
1.5 Corrugation
33-1/16" x 82-5/16"

SUB FOR: HUB 53-302006 **FITS:** SINGAMAS 53' **THICKNESS:** 1/16" / 1.5 MM
MATERIAL: CORTEN STEEL **FINISH:** WELDABLE PRIMER **WEIGHT:** 50.2 LBS / 22.77 Kg

MODEL 1201-8969

FRONT PANEL (Middle)
for Singamas 53'
4 Corrugation
32-15/16" x 82-5/16"

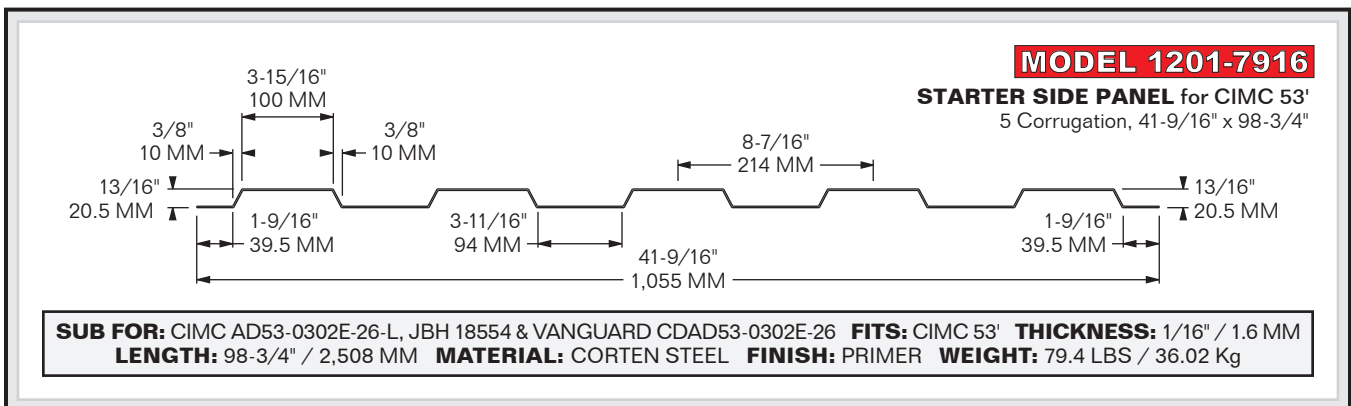
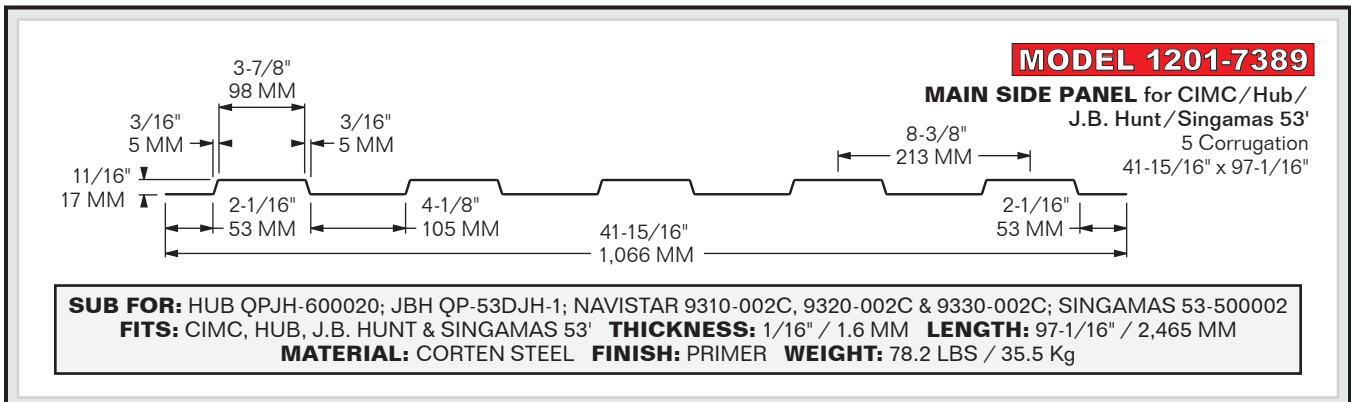
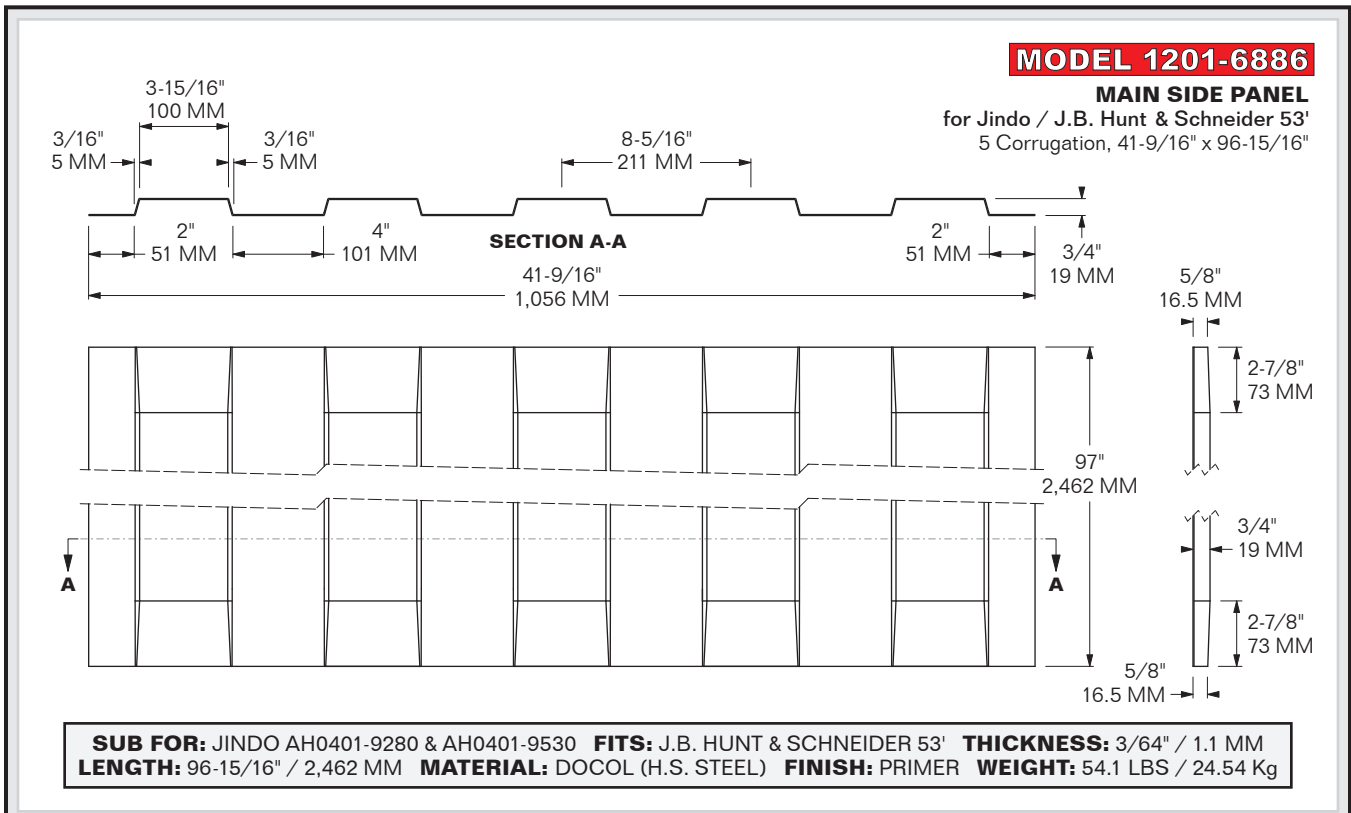
SUB FOR: HUB 53-302005 **FITS:** SINGAMAS 53' **THICKNESS:** 1/16" / 1.5 MM
MATERIAL: CORTEN STEEL **FINISH:** WELDABLE PRIMER **WEIGHT:** 54.8 LBS / 24.86 Kg

MODEL 1201-8970

FRONT PANEL (Lower)
for Singamas 53'
2.5 Corrugation
35-9/16" x 82-5/16"

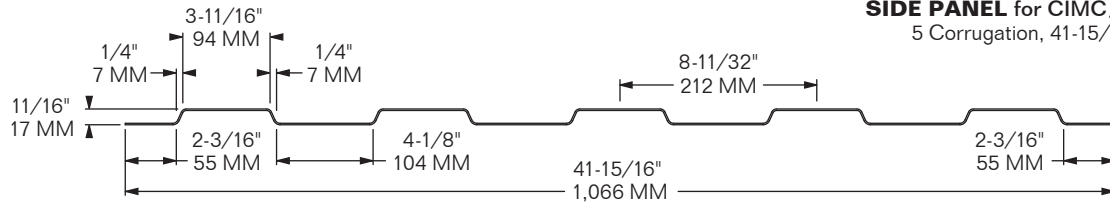
SUB FOR: HUB 53-302004 **FITS:** SINGAMAS 53' **THICKNESS:** 1/16" / 1.5 MM
MATERIAL: CORTEN STEEL **FINISH:** WELDABLE PRIMER **WEIGHT:** 55.56 LBS / 25.2 Kg





MODEL 1201-7917

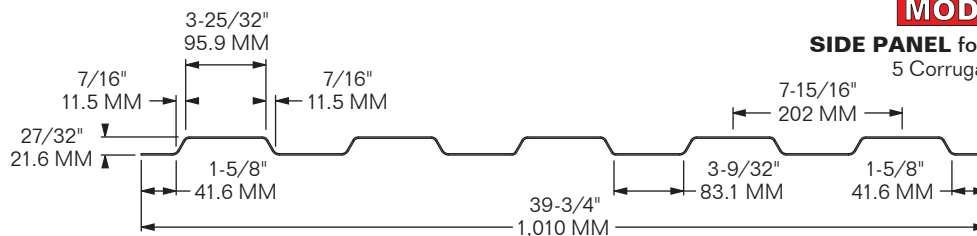
SIDE PANEL for CIMC/J.B. Hunt 53'
5 Corrugation, 41-15/16" x 96-15/16"



SUB FOR: CIMC CDA5-0302S-1 & JBH 31698 **FITS:** CIMC, J.B. HUNT 53' **THICKNESS:** 1/16" / 1.6 MM
LENGTH: 96-15/16" / 2,463 MM **MATERIAL:** CORTEN STEEL **FINISH:** PRIMER **WEIGHT:** 58 LBS / 26.3 Kg

MODEL 1201-8133

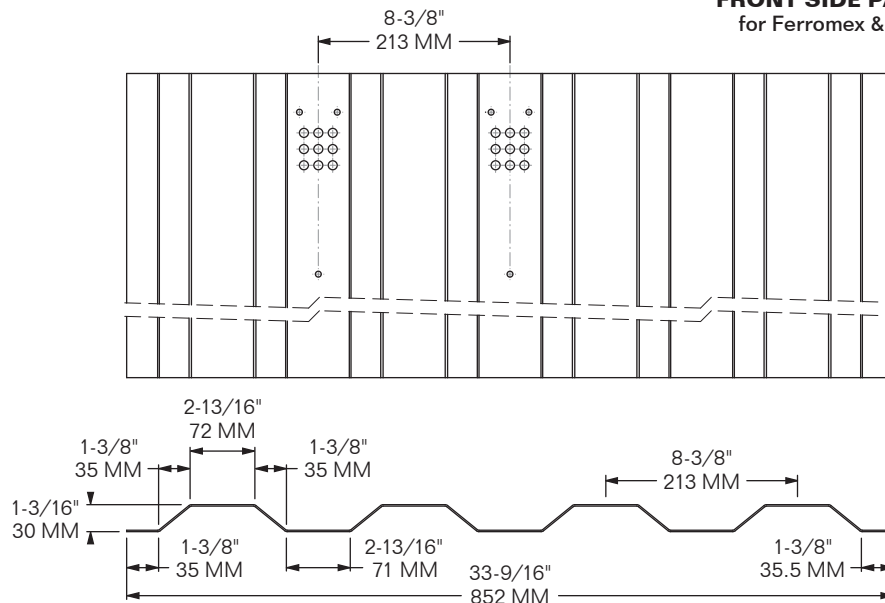
SIDE PANEL for CIMC/J.B. Hunt 53'
5 Corrugation, 39-3/4" x 98-5/8"



SUB FOR: CIMC AD53-0301S-2 **FITS:** CIMC, J.B. HUNT 53' **THICKNESS:** 1/16" / 1.6 MM
LENGTH: 98-5/8" / 2,505 MM **MATERIAL:** CORTEN STEEL **FINISH:** PRIMER **WEIGHT:** 74 LBS / 33.6 Kg

MODEL 1201-8155

FRONT SIDE PANEL w/ VENT HOLES
for Ferromex & Singamas/Hub, Swift 53'
4 Corrugation, 33-9/16" x 98-1/2"



SUB FOR: SINGAMAS 53-304002 **FITS:** FERROMEX, HUB, SINGAMAS & SWIFT 53' **THICKNESS:** 1/16" / 1.6 MM
LENGTH: 98-1/2" / 2,502 MM **MATERIAL:** CORTEN STEEL **FINISH:** PRIMER **WEIGHT:** 59 LBS / 26.8 Kg

MODEL 1201-8156
FRONT END SIDE PANEL
 for Ferromex/Hub/
 Singamas/Swift 53'
 4 Corrugation
 33-9/16" x 98-1/2"

SUB FOR: SINGAMAS 53-304003 **FITS:** FERROMEX, HUB, SINGAMAS & SWIFT 53' **THICKNESS:** 1/16" / 1.6 MM
LENGTH: 98-1/2" / 2,502 MM **MATERIAL:** CORTEN STEEL **FINISH:** PRIMER **WEIGHT:** 57 LBS / 25.8 Kg

SPECIAL ORDER ONLY **MODEL 1201-8157**
REAR END SIDE PANEL
 for Ferromex/Hub/
 Singamas/Swift 53'
 4 Corrugation
 33-1/16" x 98-1/2"

SUB FOR: SINGAMAS 53-404001 **FITS:** FERROMEX, HUB, SINGAMAS & SWIFT 53' **THICKNESS:** 1/16" / 1.6 MM
LENGTH: 98-1/2" / 2,502 MM **MATERIAL:** CORTEN STEEL **FINISH:** PRIMER **WEIGHT:** 58 LBS / 26.3 Kg

MODEL 1201-8159
SECOND MAIN SIDE PANEL
 for Ferromex/Hub/
 Singamas/Swift 53'
 5 Corrugation
 41-15/16" x 98-7/16"

SUB FOR: SINGAMAS 53-500002 **FITS:** FERROMEX, HUB, SINGAMAS & SWIFT 53' **THICKNESS:** 1/16" / 1.6 MM
LENGTH: 98-7/16" / 2,500 MM **MATERIAL:** CORTEN STEEL **FINISH:** PRIMER **WEIGHT:** 76.5 LBS / 34.7 Kg

MODEL 1201-8512
FRONT & REAR SIDE PANEL
 for CIMC 53'
 4 Corrugation
 33-3/4" x 98-1/2"

FITS: CIMC NCSE10S 53' **THICKNESS:** 1/16" / 1.6 MM **LENGTH:** 98-1/2" / 2,502 MM
MATERIAL: CORTEN STEEL **FINISH:** PRIMER **WEIGHT:** 64.5 LBS / 29.3 Kg

MODEL 1201-8513

MAIN SIDE PANEL for CIMC/CSX 53'
5 Corrugation, 41-15/16" x 98-1/2"

FITS: CIMC NCSE10S, CSX 53' **THICKNESS:** 1/16" / 1.6 MM **LENGTH:** 98-1/2" / 2,502 MM
MATERIAL: CORTEN STEEL **FINISH:** PRIMER **WEIGHT:** 77 LBS / 34.9 Kg

MODEL 1201-8697

STARTER SIDE PANEL
for CIMC/J.B. Hunt 53'
5 Corrugation
42-1/2" x 98-5/8"

SUB FOR: CIMC AD53-0302E-26-X, JBH 18554 **FITS:** CIMC, J.B. HUNT 53' **THICKNESS:** 1/16" / 1.6 MM
LENGTH: 98-5/8" / 2,505 MM **MATERIAL:** CORTEN STEEL **FINISH:** GREY PRIMER **WEIGHT:** 77.2 LBS / 35.02 Kg

MODEL 1201-8698

MAIN SIDE PANEL
for CIMC/J.B. Hunt 53'
5 Corrugation
39-13/16" x 98-13/16"

FITS: CIMC, J.B. HUNT 53' **THICKNESS:** 1/16" / 1.6 MM **LENGTH:** 98-13/16" / 2,510 MM
MATERIAL: CORTEN STEEL **FINISH:** GREY PRIMER **WEIGHT:** 76.9 LBS / 34.88 Kg

MODEL 1201-8699

SIDE PANEL
for J.B. Hunt/Singamas 53'
5 Corrugation
40" x 98-3/4"

FITS: J.B. HUNT, SINGAMAS 53' **THICKNESS:** 1/16" / 1.6 MM **LENGTH:** 98-3/4" / 2,508 MM
MATERIAL: CORTEN STEEL **FINISH:** GREY PRIMER **WEIGHT:** 77.6 LBS / 35.2 Kg

$3/16''$ 5 MM
 $2-1/16''$ 53 MM
 $21/32''$ 17 MM
 $3-27/32''$ 98 MM
 $3/16''$ 5 MM
 $4-1/8''$ 105 MM
 $8-3/8''$ 213 MM
 $2-1/8''$ 54 MM
 $9/16''$ 14 MM
 $33-9/16''$ 853 MM

MODEL 1201-8978

SIDE PANEL (Front Section)
for Singamas 53'
4 Corrugation
17mm Low-profile
33-9/16" x 98-1/2"

SUB FOR: HUB 53-304003 **FITS:** SINGAMAS 53' **THICKNESS:** 1/16" / 1.6 MM
MATERIAL: CORTEN STEEL **FINISH:** WELDABLE PRIMER **WEIGHT:** 65.4 LBS / 29.67 Kg

$2-3/32''$ 53 MM
 $4-1/8''$ 105 MM
 $3/16''$ 5 MM
 $3-27/32''$ 98 MM
 $3/16''$ 5 MM
 $8-3/8''$ 213 MM
 $2-3/32''$ 53 MM
 $21/32''$ 17 MM
 $41-31/32''$ 1,066 MM

MODEL 1201-8981

SIDE PANEL for Singamas 53'
5 Corrugation, 17mm Low-profile
42" x 98-1/2"

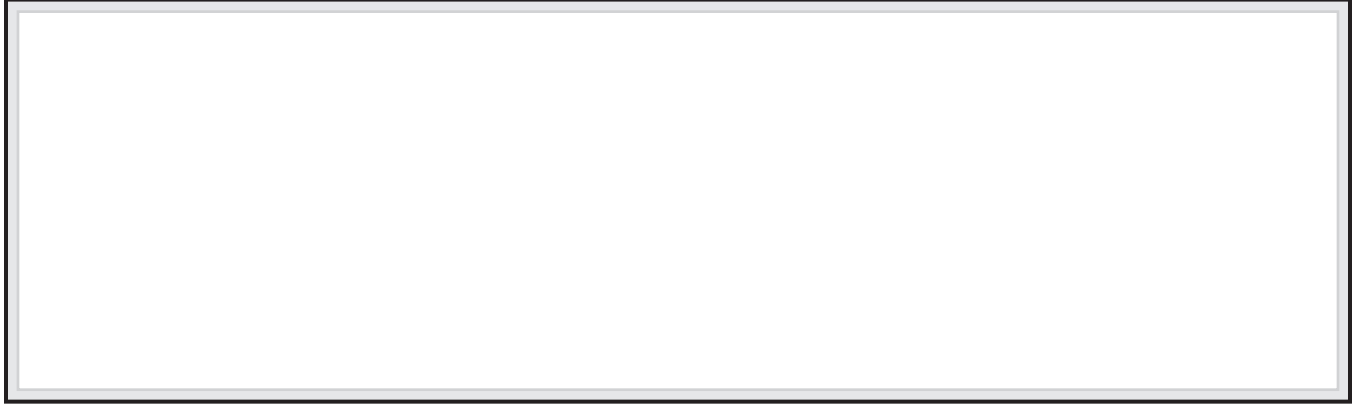
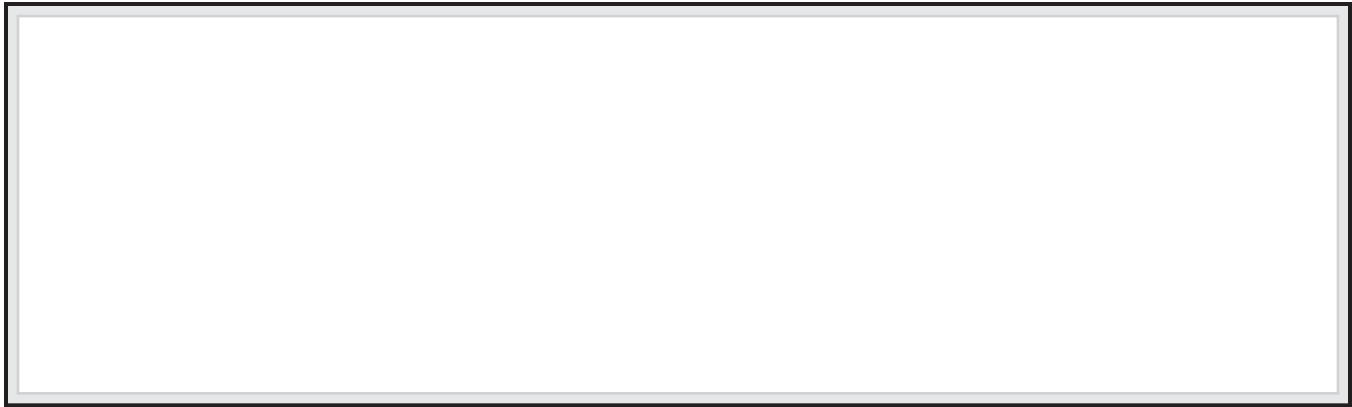
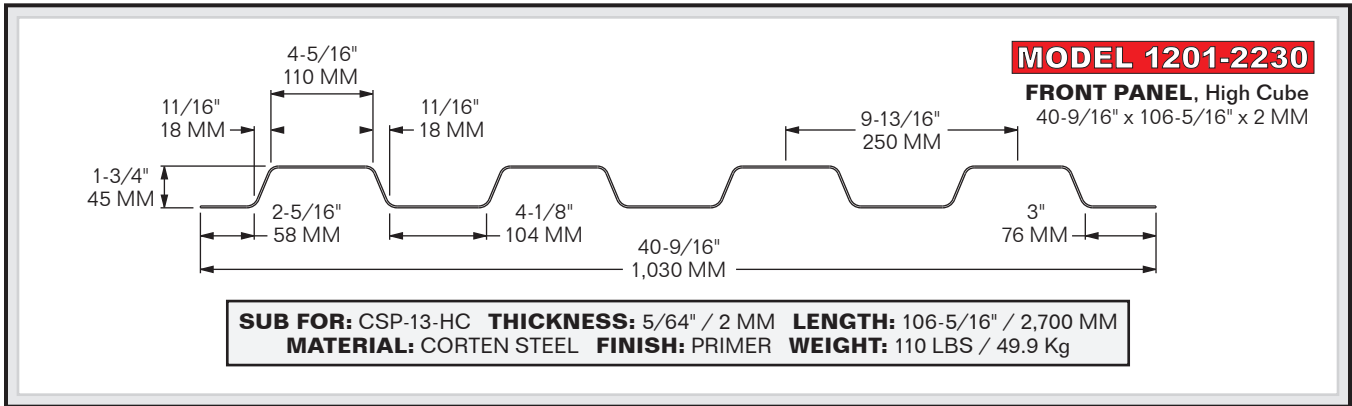
SUB FOR: HUB 53-500002 **FITS:** SINGAMAS 53' **THICKNESS:** 3/64" / 1.2 MM
MATERIAL: DOCOL STEEL **FINISH:** WELDABLE PRIMER **WEIGHT:** 60.23 LBS / 27.32 Kg

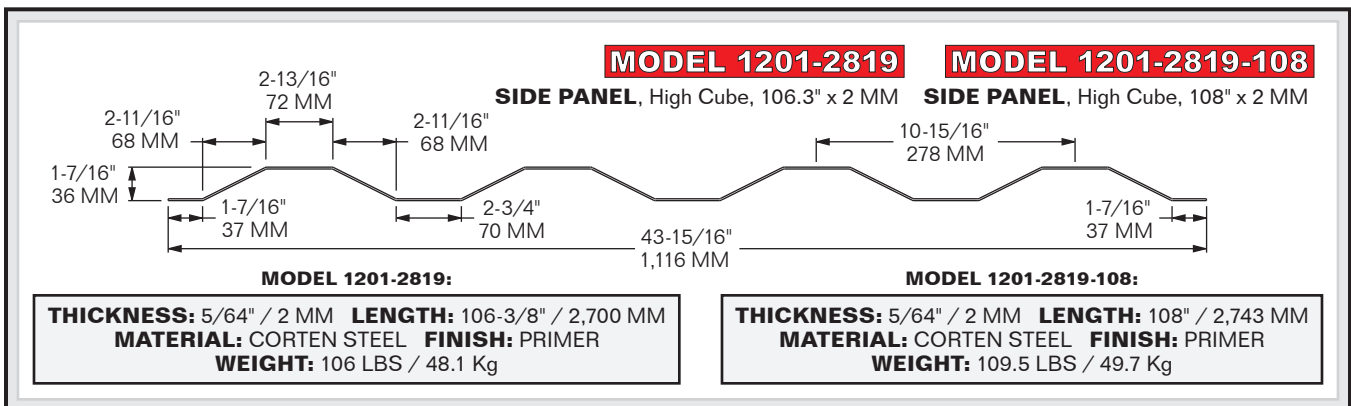
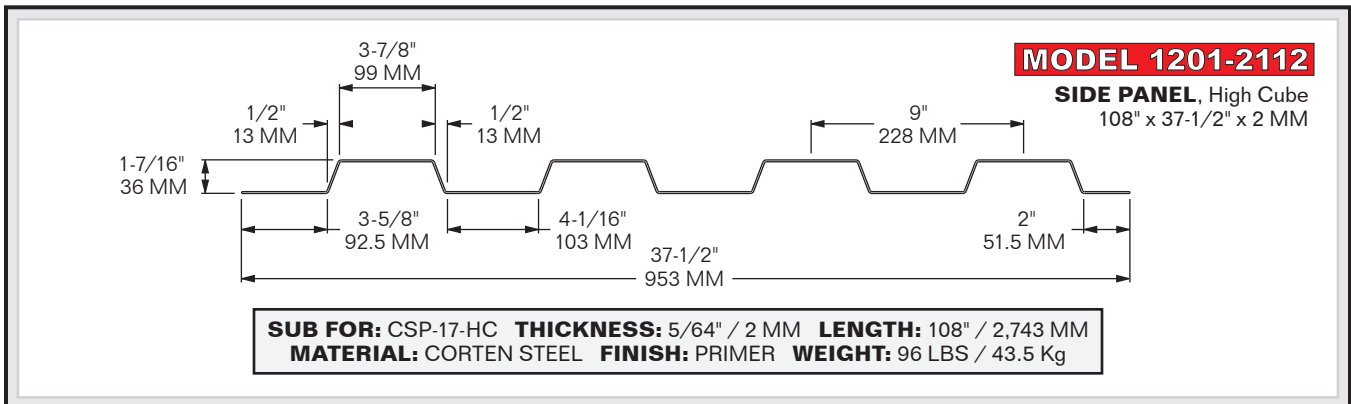
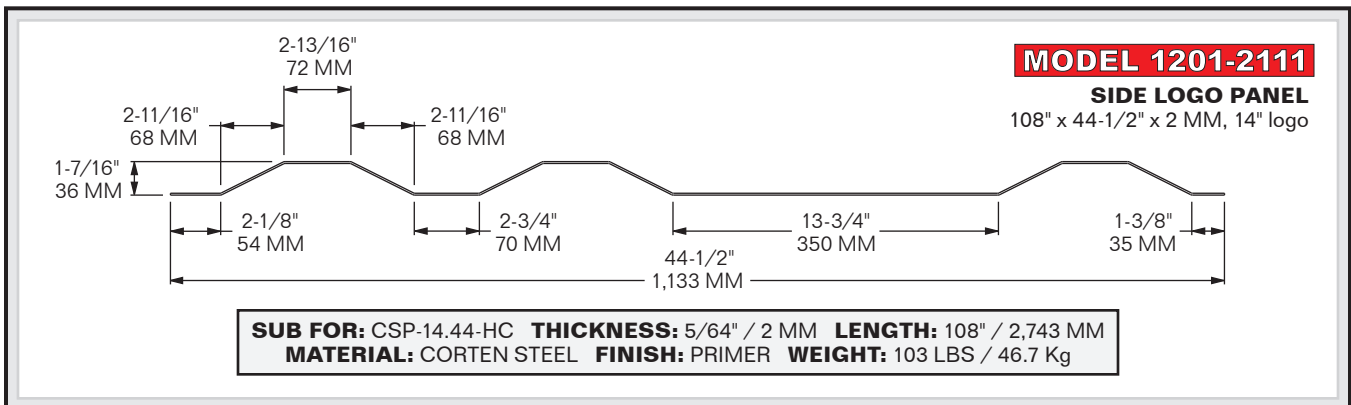
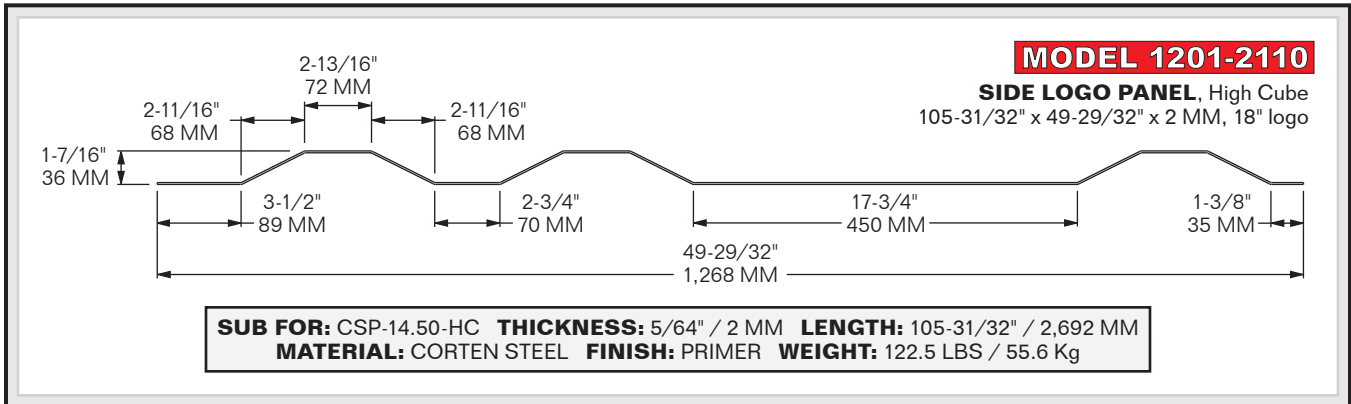
$1-3/8''$ 35 MM
 $2-13/16''$ 72 MM
 $1-3/8''$ 35 MM
 $1-7/16''$ 36 MM
 $2-13/16''$ 71 MM
 $8-3/8''$ 213 MM
 $1-7/16''$ 36 MM
 $1-3/16''$ 30 MM
 $3/64''$ 1.2 MM thick
 $41-15/16''$ 1,065 MM
 $91''$ 2,312 MM

MODEL 1201-9003

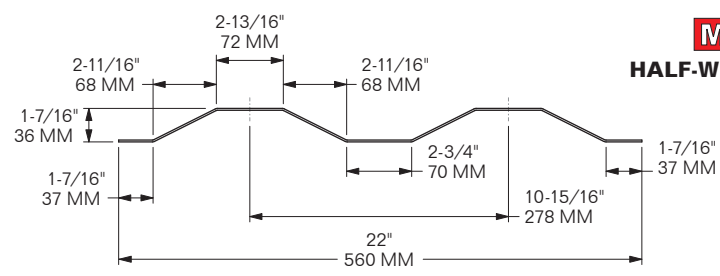
SIDE PANEL for Singamas 53'
Second Main, 5 Corrugation
42" x 91"

SUB FOR: SINGAMAS NS53-500003 **FITS:** SINGAMAS 53' **THICKNESS:** 3/64" / 1.2 MM
LENGTH: 91" / 2,312 MM **MATERIAL:** DOCOL STEEL **FINISH:** PRIMER **WEIGHT:** 55 LBS / 25 Kg



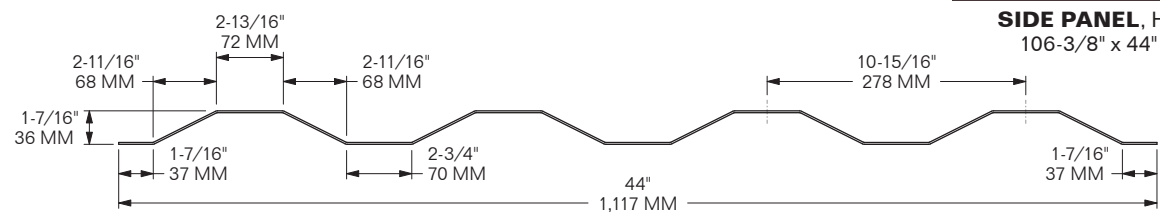


MODEL 1201-6105
HALF-WIDTH SIDE PANEL for 45'
 105" x 22" x 1.6 MM



WORKS WITH: BUFFERS 1201-2819, 1201-6399 PANELS **THICKNESS:** 1/16" / 1.6 MM
LENGTH: 105" / 2,667 MM **MATERIAL:** CORTEN STEEL **FINISH:** PRIMER **WEIGHT:** 42.8 LBS / 19.4 Kg

MODEL 1201-6399
SIDE PANEL, High Cube
 106-3/8" x 44" x 1.6 MM



SUB FOR: BUFFERS 1201-2819 **THICKNESS:** 1/16" / 1.6 MM **LENGTH:** 106-3/8" / 2,700 MM
MATERIAL: CORTEN STEEL **FINISH:** PRIMER **WEIGHT:** 83 LBS / 37.6 Kg

