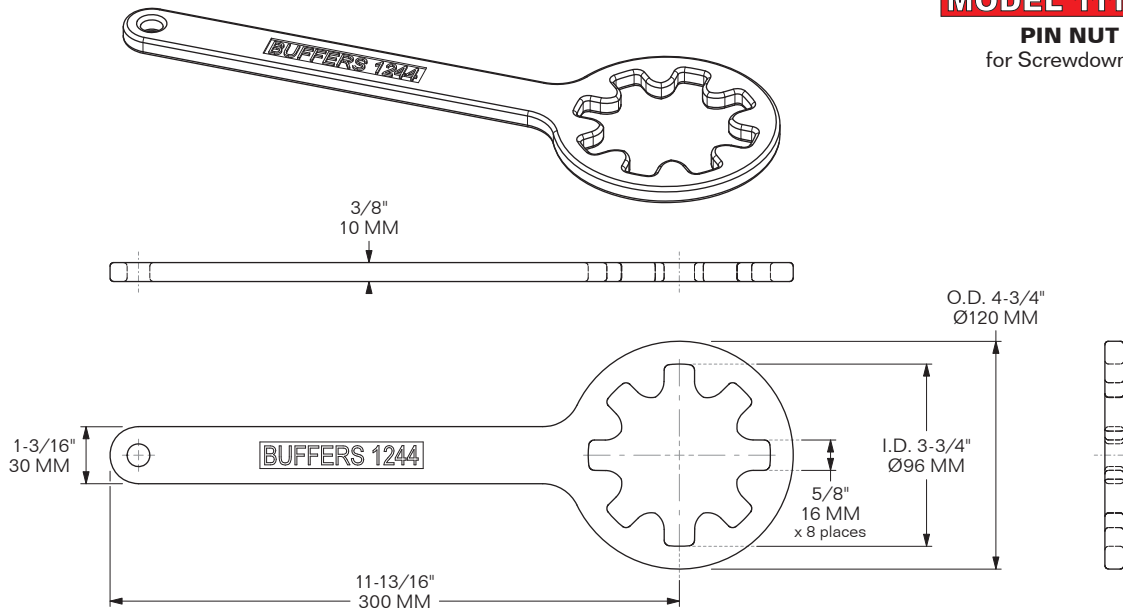


MODEL 1111-1244

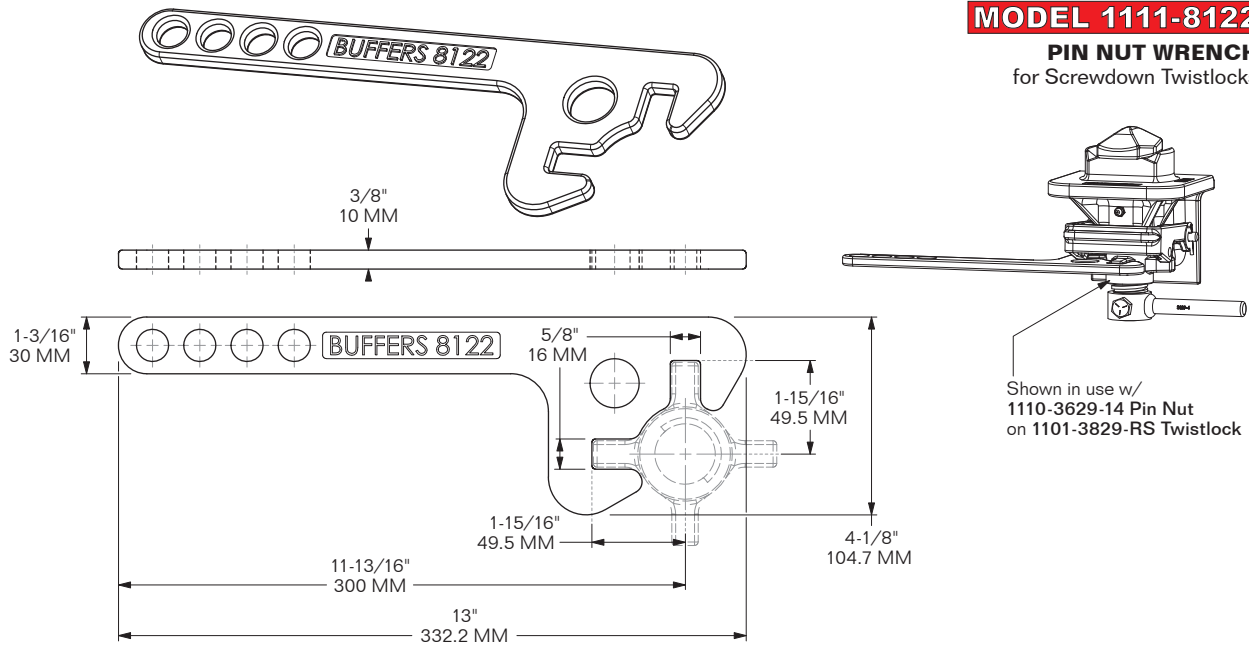
PIN NUT WRENCH
for Screwdown Twistlocks



WORKS WITH: 1110-1129-14 PIN NUT (1" tall, used on Buffers 3539 series Screwdown Twistlocks)
MATERIAL: CAST STEEL **FINISH:** HOT-DIP & SPIN GALVANIZED **WEIGHT:** 2.19 LBS / 0.99 Kg

MODEL 1111-8122

PIN NUT WRENCH
for Screwdown Twistlocks



Shown in use w/
1110-3629-14 Pin Nut
on 1101-3829-RS Twistlock

WORKS WITH: 1110-3629-14 PIN NUT (1-5/8" tall, used on Buffers 3629, 3729 & 3829 series Screwdown Twistlocks)
MATERIAL: CAST STEEL **FINISH:** HOT-DIP GALVANIZED **WEIGHT:** 2.11 LBS / 0.96 Kg