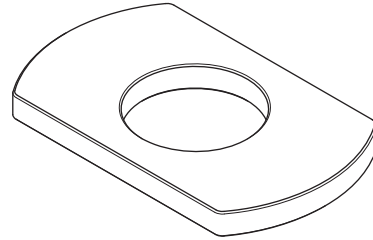
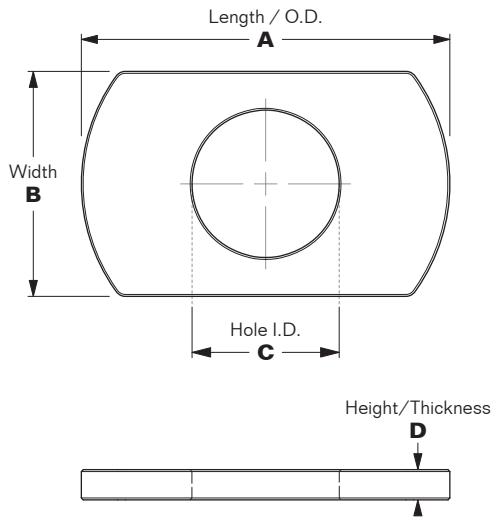


GUIDE PLATES



MODEL 1110-1132-5
shown illustrated

MATERIAL: STEEL
FINISH: PRIMER or HOT-DIP GALVANIZED (-HDG)

MODEL	A	B	C	D	WEIGHT:
1110-1132-5	3-13/16" / Ø97.5mm	2-5/16" / 59.5mm	1-9/16" / Ø39mm	5/16" / 8mm	0.57 LBS / 0.26 Kg
1110-3133-5	3-11/16" / Ø94mm	2-3/16" / 56mm	1-9/16" / Ø39mm	5/16" / 8mm	0.51 LBS / 0.23 Kg
1110-3152-5	3-15/16" / Ø99.5mm	2-5/16" / 59.5mm	1-9/16" / Ø39mm	1/4" / 6mm	0.44 LBS / 0.2 Kg
1110-3532-5	3-13/16" / Ø97.5mm	2-5/16" / 59.5mm	1-7/8" / Ø47.5mm	5/16" / 8mm	0.51 LBS / 0.23 Kg
1110-3533-5	3-11/16" / Ø94mm	2-1/4" / 57mm	1-7/8" / Ø47.5mm	5/16" / 8mm	0.39 LBS / 0.18 Kg
1110-3533-5-HDG	3-11/16" / Ø94mm	2-1/4" / 57mm	1-7/8" / Ø47.5mm	5/16" / 8mm	0.39 LBS / 0.18 Kg
1110-3600-5	4-1/4" / Ø108mm	2-7/16" / 61mm	2-1/16" / Ø52mm	7/16" / 10mm	0.71 LBS / 0.32 Kg
1110-3837-5	3-11/16" / Ø94mm	2-1/4" / 57mm	1-7/8" / Ø47.5mm	5/16" / 7mm	0.4 LBS / 0.18 Kg

MODEL 1110-1130SA-6

FITS: BUFFERS 1101-1130-SA TWISTLOCK
MATERIAL: STAINLESS STEEL
WEIGHT: 0.14 LBS / 63.5 g

MODEL 1110-1641

SUB FOR: PENZ 50-12
FITS: BERTOLINI **MATERIAL:** SPRING STEEL
WEIGHT: 0.43 LBS / 192.8 g

MODEL 1110-1646

SUB FOR: PENZ 50-13
MATERIAL: SPRING STEEL
WEIGHT: 0.08 LBS / 36.2 g

MODEL 1110-1648

SUB FOR: PENZ 50-25
MATERIAL: SPRING STEEL
WEIGHT: 0.07 LBS / 31.8 g

MODEL 1110-1775

SUB FOR: PENZ 50-14
FITS: THEURER **MATERIAL:** SPRING STEEL
WEIGHT: 0.17 LBS / 77.1 g

MODEL 1110-1777

SUB FOR: PENZ 50-15
MATERIAL: SPRING STEEL
WEIGHT: 0.07 LBS / 31.8 g

MODEL 1110-1794

FITS: SCHULZ FB44HL PINLOCK LATCH
MATERIAL: SPRING STEEL
WEIGHT: 0.02 LBS / 9.07 g

MODEL 1110-1855

SUB FOR: PENZ 50-16
FITS: THEURER **MATERIAL:** SPRING STEEL
WEIGHT: 0.27 LBS / 122.5 g

MODEL 1110-3706-19L
LATCH SPRING

MODEL 1110-3706-19R
LATCH SPRING

1110-3706-19-L is shown dimensioned. 1110-3706-19R is the mirror opposite.

FITS: BUFFERS TWISTLOCKS: 1131, 1206, 1207 series, 1217, 3206, 3406, 3407, 3706, 3707 & 3817
MATERIAL: SS SPRING WIRE **FINISH:** SELF-COLOR **WEIGHT:** 0.02 LB / 9 g

MODEL 1110-3533-19
LATCH SPRING

MIN. 2 LOOPS AS SHOWN

MATERIAL: SS SPRING WIRE
FINISH: SELF-COLOR
WEIGHT: 0.02 LB / 9 g

MODEL 1110-4502
DETENT SPRING

FITS: BUFFERS TWISTLOCKS
MATERIAL: SPRING STEEL
WEIGHT: 0.008 LB / 3.63 g

MODEL 1110-4550
DETENT SPRING

SUB FOR: PENZ 50-20
FITS: BUFFERS 1102-1257, 1102-1259, 1102-3259, SCHULZ F26NS, F33NS, F33SLNS, F66NS, QA12NS, QA15NS, QA18NS, R318NS, VK21RT & RQ36NS TWISTLOCKS
WORKS WITH: BUFFERS 1110-4549 BALL
MATERIAL: SPRING STEEL **WEIGHT:** 0.008 LB / 3.63 g

MODEL 1110-4577
DETENT SPRING

SUB FOR: WESTLAKE 1226
FITS: CIMC, SCHULZ JL-85-1/2/3/4, WESTLAKE WL60-4/6, WL60-16, WL85-2/3/4/5, WL100-2/3 TWISTLOCKS
WORKS WITH: BUFFERS 1110-4562 DETENT BALL
MATERIAL: SPRING STEEL
WEIGHT: 0.003 LB / 1.45 g

MODEL 1110-4581
DETENT SPRING

FITS: HOLLAND TWISTLOCKS: GL-726-099-195 (NON-RETRACTABLE) & GL-726-099-196 (RETRACTABLE)
MATERIAL: SPRING STEEL
FINISH: SELF-COLOR
WEIGHT: 0.003 LB / 1.45 g

MODEL 1110-7361
SPRING

SUB FOR: PENZ 50-18
MATERIAL: STAINLESS STEEL SPRING WIRE
FINISH: ZINC-PLATED **WEIGHT:** 0.13 LBS / 59 g

MODEL 1110-4667-KIT
LATCH CONVERSION KIT
to Spring Load

CONSISTS OF:

1110-3533-19 LATCH SPRING
1110-4512 FLAT WASHER
1110-4513-SS COTTER PIN 5/32" x 3/4"
1110-4667 CLEVIS PIN 9.5 MM x 125 MM

FITS: BUFFERS TWISTLOCKS, SERIES 3500, 3600, 3700 & 3800
MATERIAL: STEEL
WEIGHT: 0.2 LBS / 0.09 Kg

MODEL 1110-4501

SUB FOR: PENZ 16-01
WORKS WITH: BUFFERS 1110-4502 SPRING
FITS: ALL BUFFERS & PENZ TWISTLOCKS
MATERIAL: CHROME ALLOY
WEIGHT: 0.008 LBS / 3.63 g

MODEL 1110-4549

FITS: BUFFERS 1102-1257, 1102-1259, 1102-3259, SCHULZ F26NS, F33NS, F33SLNS, F66NS, QA12NS, QA15NS, QA18NS, R318NS, RQ36NS & VK21RT TWISTLOCKS **WORKS WITH:** BUFFERS 1110-4550 SPRING
MATERIAL: CHROME ALLOY
WEIGHT: 0.012 LBS / 5.44 g

MODEL 1110-4562

SUB FOR: WESTLAKE 0154
FITS: CIMC, SCHULZ JL-85-1/2/3/4, WESTLAKE WL60-4/6, WL60-16, WL85-2/3/4/5, WL100-2/3 TWISTLOCKS
WORKS WITH: BUFFERS 1110-4577 SPRING **MATERIAL:** CHROME ALLOY
WEIGHT: 0.005 LBS / 2.27 g

MODEL 1110-1206-30
LIGHT HOLE PLUG COVER
(2 pcs. per hole needed)

FRONT VIEW
BACK VIEW

FITS: BUFFERS 1101-1206-L/R TWISTLOCKS
MATERIAL: CAST STEEL **FINISH:** PRIMER **WEIGHT:** 0.3 LBS / 0.13 Kg

CAN BE INSTALLED w/ 1/4" BOLTS or RIVETS

MODEL 1206 w/ LIGHT HOLE PLUGS INSTALLED

MODEL 1110-1209
LIGHT HOLE PLUG
for Sidelight Twistlocks

SECTION A-A

MATERIAL: EPDM RUBBER
COLOR: BLACK
WEIGHT: 0.06 LBS / 0.03 Kg