



RISER BLOCKS & SHEAR BLOCKS

for TWISTLOCKS
CHASSIS

O.D. 3-27/32"
97.5 MM

2-11/32"
59.5 MM

I.D. 1-17/32"
Ø39 MM

1-1/4"
32 MM

1-13/32"
36 MM

2-7/8"
73 MM

2-11/32"
59.5 MM

MODEL 1109-1132-3

MODEL 1109-1132-3-HDG

SHEAR BLOCK

FITS: BUFFERS 1101-1132 & 3701-1159 TWISTLOCKS
MATERIAL: CAST STEEL **1132-3 FINISH:** PRIMER
1132-3 WEIGHT: 2.2 LBS / 1 Kg
1132-3-HDG FINISH: HOT-DIP GALVANIZED
1132-3-HDG WEIGHT: 2.45 LBS / 1.11 Kg

MODEL 1109-1484

RISER BLOCK

2"
50.8 MM

1/2"
12.7 MM

R1-1/4" R1-3/4"

1-1/8"
25.6 MM

SUB FOR: PENZ 21-04
MATERIAL: CAST STEEL **FINISH:** PRIMER
WEIGHT: 0.34 LBS / 0.15 Kg



DIAMETER
B

2-1/4"
57.2 MM

O.D. 3-7/8"
Ø98.4 MM

HEIGHT
A

MODEL	A	B	WEIGHT:	SUB FOR:
1109-1490	1"	1-9/16"	1.75 LBS / 0.79 Kg	PENZ 21-09
1109-1491	1-1/8"	1-9/16"	1.9 LBS / 0.86 Kg	PENZ 21-10
1109-1492	1-1/4"	1-9/16"	2.13 LBS / 0.97 Kg	PENZ 21-11
1109-1493	1-3/8"	1-9/16"	2.39 LBS / 1.08 Kg	PENZ 21-12
1109-1495	1-1/2"	1-9/16"	2.65 LBS / 1.20 Kg	PENZ 21-14
1109-1496	1-5/8"	1-9/16"	2.80 LBS / 1.27 Kg	PENZ 21-15
1109-1497	1-3/8"	1-25/32"	2.15 LBS / 0.97 Kg	PENZ 21-16
1109-1498	1-1/8"	2-1/32"	1.5 LBS / 0.68 Kg	PENZ 21-17
1109-1499	1-1/4"	2-1/32"	1.7 LBS / 0.77 Kg	PENZ 21-18
1109-1500	1-3/8"	2-1/32"	1.9 LBS / 0.86 Kg	PENZ 21-19
1109-1501	1-7/16"	2-1/32"	2.0 LBS / 0.91 Kg	PENZ 21-20
1109-1502	1-1/2"	2-1/32"	2.0 LBS / 0.91 Kg	PENZ 21-21
1109-1503	1-5/8"	2-1/32"	2.2 LBS / 0.99 Kg	PENZ 21-22
1109-1504	1-1/2"	1-25/32"	2.3 LBS / 1.04 Kg	PENZ 21-23
1109-1505	1-1/4"	1-11/16"	2.0 LBS / 0.91 Kg	PENZ 21-28

RISER BLOCKS

MATERIAL:
CAST STEEL
FINISH: PRIMER



RISER BLOCKS & INSERT BUSHING

for TWISTLOCKS
CHASSIS

MODEL 1109-1566

RISER BLOCK
Bertolini style

O.D. 3-7/8" Ø98.4 MM
 O.D. 3-1/8" Ø79.4 MM
 I.D. 1-7/8" Ø47.6 MM
 I.D. 2-9/16" Ø65.7 MM

2-1/4" 57.2 MM
 1-1/8" 28.6 MM
 1-3/4" 44.5 MM
 5/8" 15.9 MM

SUB FOR: PENZ 21-24
MATERIAL: CAST STEEL **FINISH:** PRIMER
WEIGHT: 2.05 LBS / 0.93 Kg

MODEL 1109-1567

RISER BLOCK
Strick style

O.D. 3-7/8" Ø98.4 MM
 O.D. 3-1/8" Ø79.3 MM
 I.D. 1-7/8" Ø47.6 MM
 I.D. 2-15/16" Ø74.6 MM

2-1/4" 57.2 MM
 1-1/8" 28.6 MM
 2-7/8" 73 MM
 5/8" 15.9 MM
 1-1/8" 28.6 MM

SUB FOR: PENZ 21-25
FITS: PENZ 90-38/KIT-XX DROP-IN TWISTLOCKS
MATERIAL: CAST STEEL **FINISH:** PRIMER
WEIGHT: 3.15 LBS / 1.43 Kg

MODEL 1109-1667

INSERT BUSHING for
Buffers 3133, 3190 & 3423
Non-Retractable Twistlocks

O.D. 3-13/16" Ø96.8 MM
 2-3/16" 55.6 MM
 I.D. 1-1/2" Ø38.9 MM

1/4" 5.5 MM
 2-1/4" 57.2 MM
 3/4" 19 MM
 2-7/8" 73 MM
 2-3/16" 54.8 MM
 O.D. 1-15/16" Ø50 MM

FITS: BUFFERS 1101-3133-NR, 1101-3190-NR & 1101-3423-NR NON-RETRACTABLE TWISTLOCKS
MATERIAL: CAST STEEL **FINISH:** PRIMER **WEIGHT:** 1.8 LBS / 0.82 Kg



RISER BLOCK & SHEAR BLOCKS

for TWISTLOCKS

CHASSIS | FLATBED TRAILERS

O.D. 3-3/4"
Ø95.3 MM

I.D. 1-5/8"
Ø41.3 MM

4-7/8"
47.6 MM

1-3/8"
34.9 MM

O.D. 2-1/4"
Ø57.2 MM

2"
50.8 MM

MODEL 1109-2842
RISER BLOCK w/ Housing

SUB FOR: PENZ 21-31
MATERIAL: CAST STEEL
FINISH: PRIMER
WEIGHT: 3.85 LBS / 1.74 Kg

O.D. 3-7/8"
Ø97.5 MM

I.D. 1-1/2"
Ø39 MM

2-3/8"
59.5 MM

1-1/4"
33 MM

1-3/8"
36.5 MM

2-3/8"
59.5 MM

SPECIAL ORDER ONLY **MODEL 1109-3151-3-P**
SPECIAL ORDER ONLY **MODEL 1109-3151-3-HDG**

FITS: BUFFERS 1101-3151 & 1101-3152 FLATBED TWISTLOCKS
MATERIAL: CAST STEEL **FINISH:** PRIMER (-P) or HOT-DIP GALVANIZED (-HDG)
WEIGHT: 2 LBS / 0.91 Kg

O.D. 3-15/16"
Ø100 MM

I.D. 1-1/2"
Ø39 MM

2-3/8"
59.5 MM

1-1/4"
32 MM

1-7/16"
36 MM

O.D. 1-7/8"
Ø47 MM

11/32"
8.5 MM

MODEL 1109-3532-3

WORKS WITH: BUFFERS 1101-3532 SERIES RETRACTABLE FLATBED TWISTLOCKS
MATERIAL: CAST STEEL **FINISH:** PRIMER
WEIGHT: 1.9 LBS / 0.86 Kg

BUFFERS USA INC

"The Intermodal Hardware Specialists"

1109-3



904-696-0010

E-mail: sales@buffersusa.com



SHEAR BLOCKS

for TWISTLOCKS
CHASSIS | FLATBED TRAILERS

O.D. 3-3/4"
Ø94 MM

2-1/4"
56 MM

I.D. 1-1/2"
Ø39 MM

1-7/16"
37 MM

O.D. 1-7/8"
Ø47 MM

3/8"
8 MM

MODEL 1109-3533-3

SPECIAL ORDER ONLY **MODEL 1109-3533-3-HDG**

WORKS WITH: BUFFERS 3500 & 3600 SERIES CHASSIS TWISTLOCKS, 1101-3733-R & 1101-3836-R FLATBED TWISTLOCKS

MATERIAL: CAST STEEL **FINISH:** PRIMER

WEIGHT: 1.9 LBS / 0.86 Kg

O.D. 3-7/8"
Ø97.5 MM

2-3/8"
59.5 MM

I.D. 1-1/2"
Ø39 MM

3/16"
5 MM

2-7/16"
62 MM

1-1/16"
26 MM

1-15/16"
49.5 MM

11/32"
8.5 MM

MODEL 1109-3539-3

WORKS WITH: BUFFERS 1101-3539-RS/-NRS FLATBED TWISTLOCKS

MATERIAL: CAST STEEL **FINISH:** PRIMER

WEIGHT: 2.18 LBS / 0.99 Kg

O.D. 3-3/4"
Ø94 MM

2-1/4"
56 MM

I.D. 1-1/2"
Ø38.8 MM

1/4"
7 MM

1-1/8"
30 MM

15/32"
11.7 MM

MODEL 1109-3629-3

WORKS WITH: BUFFERS 1101-3629-RS/-NRS CHASSIS & 1101-3729-RS/-NRS FLATBED TWISTLOCKS

MATERIAL: CAST STEEL **FINISH:** PRIMER

WEIGHT: 1.98 LBS / 0.9 Kg



SHEAR BLOCK

for TWISTLOCKS
CHASSIS

O.D. 3-23/32"
Ø94.2 MM

2-3/16"
55.6 MM

I.D. 1-17/32"
Ø38.8 MM

1-5/16"
33.5 MM

O.D. 1-27/32"
Ø47.2 MM

1/4"
7 MM

MODEL 1109-3837-3

WORKS WITH: BUFFERS 1101-3837-R/-NR & 1101-3843-R/-NR CHASSIS TWISTLOCKS
MATERIAL: CAST STEEL **FINISH:** PRIMER
WEIGHT: 2.09 LBS / 0.95 Kg



O.D. 3-15/16"
Ø100 MM

2-1/4"
57 MM

I.D. 1-9/16"
Ø40 MM

O.D. 2-1/4"
Ø57 MM

O.D. 3-3/16"
Ø81 MM

MODEL 1109-1257-1
MODEL 1109-1257-1-SC
HOUSING

9/16"
14 MM

1-1/4"
32 MM

4-3/4"
94 MM

1-7/8"
48 MM

WORKS WITH: BUFFERS 1102-1257-L/R, 1102-1257-LP-L/R, 1102-1259-L/R, 1102-3229-L/R, 1102-3257-L/R, 1102-3258, 1102-3259-L/R, 1102-3260-L/R, 1102-3261-L/R, 1102-3262-L/R, 1102-3267-L/R, 1102-3269-L/R, 1102-3557-L/R, 1102-3559-L/R DROP-IN TWISTLOCKS
MATERIAL: CAST STEEL **FINISH:** PRIMER or SELF-COLOR (-SC) **WEIGHT:** 3.5 LBS / 1.59 Kg

O.D. 3-15/16"
Ø100 MM

2-1/4"
57 MM

I.D. 1-9/16"
Ø40 MM

O.D. 2-1/4"
Ø57 MM

O.D. 3-3/16"
Ø81 MM

MODEL 1109-1690-1
MODEL 1109-1690-1-SC
HOUSING

SPECIAL ORDER ONLY

5/8"
16 MM

1-5/16"
33.5 MM

2-5/16"
58.5 MM

3/8"
9 MM

WORKS WITH: BUFFERS 1102-1690-L/R, 1102-1691 DROP-IN TWISTLOCKS
MATERIAL: CAST STEEL **FINISH:** PRIMER or SELF-COLOR (-SC) **WEIGHT:** 3.17 LBS / 1.44 Kg

O.D. 3-7/8"
Ø98 MM

2-1/4"
57 MM

I.D. 1-9/16"
Ø40 MM

O.D. 2-1/4"
Ø57 MM

O.D. 3-3/16"
Ø81 MM

MODEL 1109-1845
RISER BLOCK

5/8"
16 MM

1-5/16"
33.5 MM

3"
76 MM

1-1/16"
26.5 MM

SUB FOR: PENZ 21-32 **FITS:** BUFFERS 1102-1625-L/R & PENZ 90-41-XXF DROP-IN TWISTLOCKS
MATERIAL: CAST STEEL **FINISH:** WELDABLE PRIMER **WEIGHT:** 3.1 LBS / 1.41 Kg

MODEL 1109-3027-1
HOUSING

WORKS WITH:
 BUFFERS 1102-3027-L/R DROP-IN TWISTLOCKS
MATERIAL: CAST STEEL **FINISH:** PRIMER
WEIGHT: 2.64 LBS / 1.2 Kg

MODEL 1109-3247-1
HOUSING

WORKS WITH:
 BUFFERS 1102-3247-L/R DROP-IN TWISTLOCKS
MATERIAL: CAST STEEL **FINISH:** PRIMER
WEIGHT: 3.08 LBS / 1.4 Kg

MODEL 1109-3248-1
HOUSING

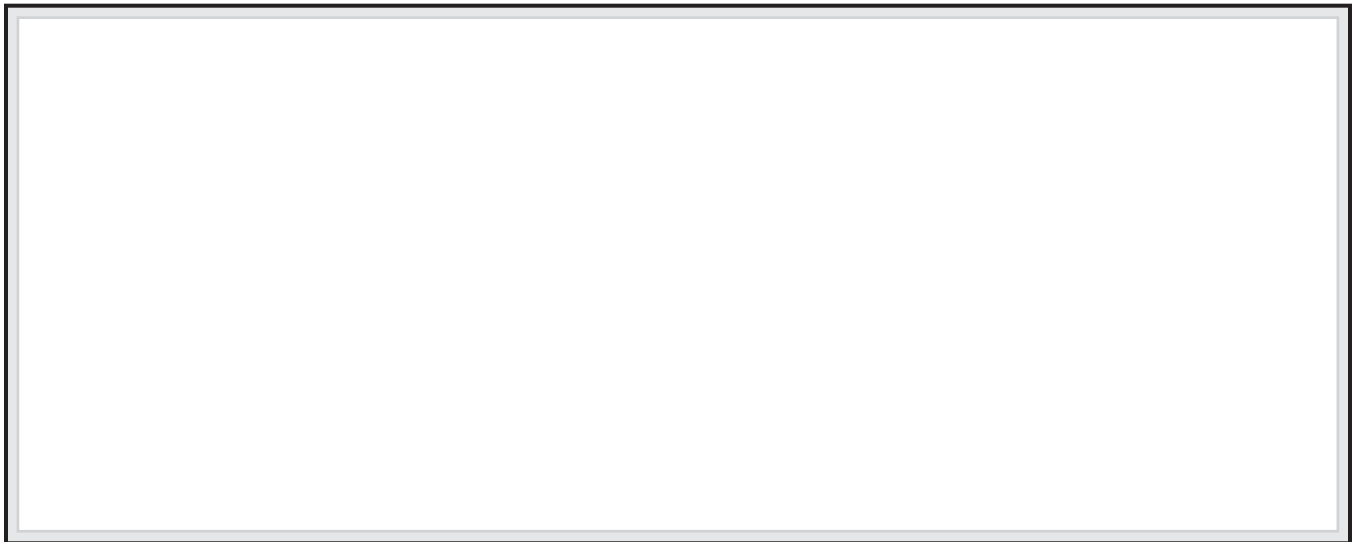
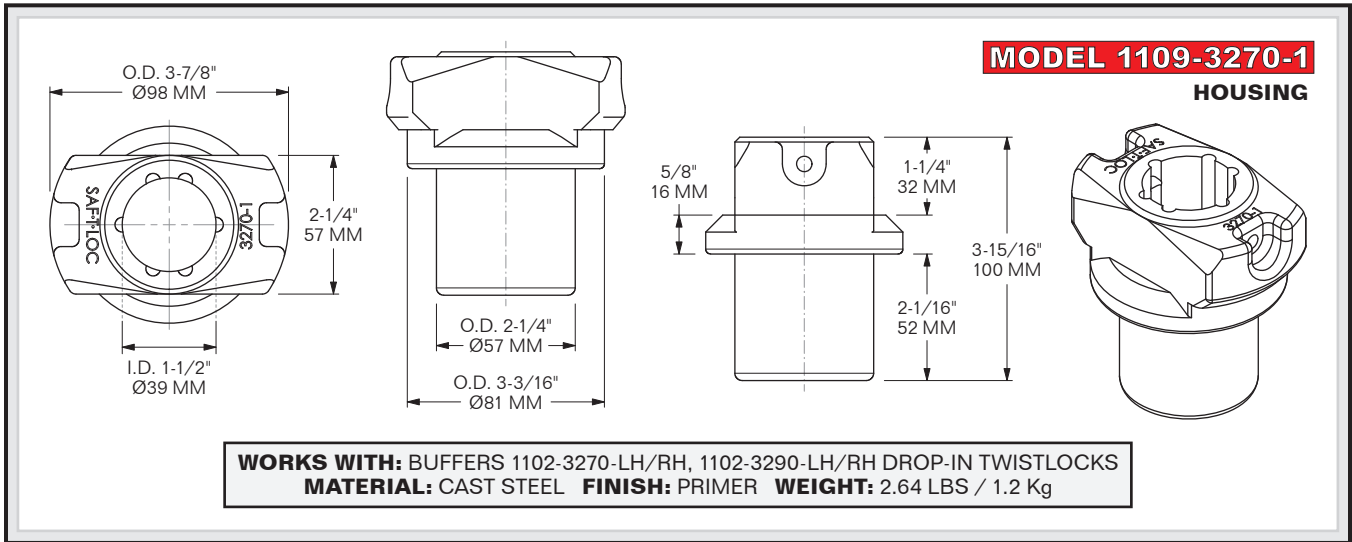
WORKS WITH: BUFFERS 1102-3248-L/R DROP-IN TWISTLOCKS
MATERIAL: CAST STEEL **FINISH:** PRIMER **WEIGHT:** 3.56 LBS / 1.62 Kg



HOUSING

for DROP-IN TWISTLOCKS

CHASSIS



BUSHINGS, GUIDE BOSSES & WASHERS

MATERIAL: STEEL

MODEL	Item Description	A	B	C	WEIGHT	FINISH	SUB FOR
1109-2048	Riser Block Washer	2" / 50.8 MM	3-7/8" / 98.4 MM	1/4" / 6.4 MM	0.61 LBS / 0.28 Kg	Primer	Penz 21-29
1109-4630	Std. R/NR Twl Bushing	1-9/16" / 39.7 MM	2-3/8" / 60.2 MM	7/32" / 6 MM	0.16 LBS / 0.07 Kg	Primer/HDG*	*SPECIAL ORDER
1109-4515	Std. R/NR Twl Bushing	1-9/16" / 39.7 MM	3-7/16" / 87.3 MM	3/16" / 4.8 MM	0.1 LBS / 0.05 Kg	Primer	
1109-4517	Screwdown Twl Bushing	1-9/16" / 39.7 MM	2-11/32" / 59.5 MM	19/32" / 15.1 MM	0.4 LBS / 0.18 Kg	Primer	
1109-4528	Twistlock Bushing	1-9/16" / 39.7 MM	2-11/32" / 59.5 MM	3/8" / 9.5 MM	0.27 LBS / 0.12 Kg	HDG	Penz 40-24
1109-4633	Bushing	1-9/16" / 39.7 MM	2-11/32" / 59.5 MM	9/32" / 7 MM	0.13 LBS / 0.06 Kg	Primer	
1109-4527	Drop-In Twl Bushing	1-9/16" / 39.7 MM	2-11/32" / 59.5 MM	1/8" / 3.2 MM	0.08 LBS / 0.04 Kg	Primer	
1109-1632	Bushing/Guide Boss	1-9/16" / 39.7 MM	2-1/2" / 63.5 MM	5/8" / 15.9 MM	1 LB / 0.45 Kg	Primer	Penz 40-10
1109-1763-9	Twistlock Guide Boss	1-9/16" / 39.7 MM	2" / 50.8 MM	11/32" / 9 MM	0.12 LBS / 0.06 Kg	Primer	
1109-1762	Pinlock Guide Boss	1-9/16" / 39.7 MM	2" / 50.8 MM	1-1/4" / 31.8 MM	0.43 LBS / 0.2 Kg	Primer	Penz 40-01
1109-1763	Pinlock Guide Boss	1-9/16" / 39.7 MM	2" / 50.8 MM	4" / 101.6 MM	1.39 LBS / 0.63 Kg	Primer	Penz 40-06

MODEL 1109-7360

PINLOCK GUIDE BOSS
w/ dual Ø7/16" side holes

SUB FOR: PENZ 40-15
MATERIAL: FAB. STEEL
FINISH: PRIMER
WEIGHT: 0.43 LBS / 0.2 Kg

SECTION B-B

MODEL 1109-8705

PIN REDUCING SLEEVE
I.D. 40 MM to 33.5 MM

USE WITH: PIN 1106-8706
(see catalog pg. 1106-15)

WORKS WITH: 1106-8706 PIN for 1103-1175 & 1103-1213 PINLOCKS
MATERIAL: CHROMOLY STEEL **FINISH:** WELDABLE PRIMER **WEIGHT:** 0.22 LBS / 0.1 Kg