

**MODEL 1106-1175-2**

**SPECIAL ORDER ONLY MODEL 1106-1175-2-HDG**

**SUB FOR:** PENZ 30-40  
**FITS:** BUFFERS 1103-1175 & 1103-1213 PINLOCKS  
**WORKS WITH:** BUFFERS 1107-1175-4 HANDLE  
**MATERIAL:** FORGED STEEL  
**FINISH:** PRIMER or HOT-DIP GALVANIZED (-HDG)  
**WEIGHT:** 2.05 LBS / 0.93 Kg

**MODEL 1106-1212-INNER**

Sold assembled as shown;  
Pin not sold separately

**FITS:** BUFFERS 1103-1212 PINLOCK  
**WORKS WITH:** BUFFERS 1107-1212-4 HANDLE  
**MATERIAL:** FAB. STEEL **FINISH:** ZINC-PLATED  
**WEIGHT:** 3.68 LBS / 1.67 Kg

**MODEL 1106-1318-2**

**FITS:** BUFFERS 1103-1318 PINLOCK  
**WORKS WITH:** BUFFERS 1107-1175-4 HANDLE  
**MATERIAL:** FORGED STEEL **FINISH:** PRIMER  
**WEIGHT:** 1.1 LBS / 0.5 Kg

**PIN MODEL 1106-1340**  
**HANDLE MODEL 1107-1341**  
**SPLIT ROLL PIN MODEL 1110-4599**

**WEIGHT:** 3.08 LBS / 1.4 Kg

THESE PARTS ARE SOLD SEPARATELY.

**SUB FOR:** WESTLAKE 1305 & PENZ 20-99/1  
**FITS:** WESTLAKE ML90-2/3 PINLOCK  
**WORKS WITH:** BUFFERS 1107-1341 HANDLE & 1110-4599 SPLIT ROLL PIN **MATERIAL:** FORGED STEEL  
**FINISH:** PRIMER **WEIGHT:** 0.45 LBS / 0.2 Kg

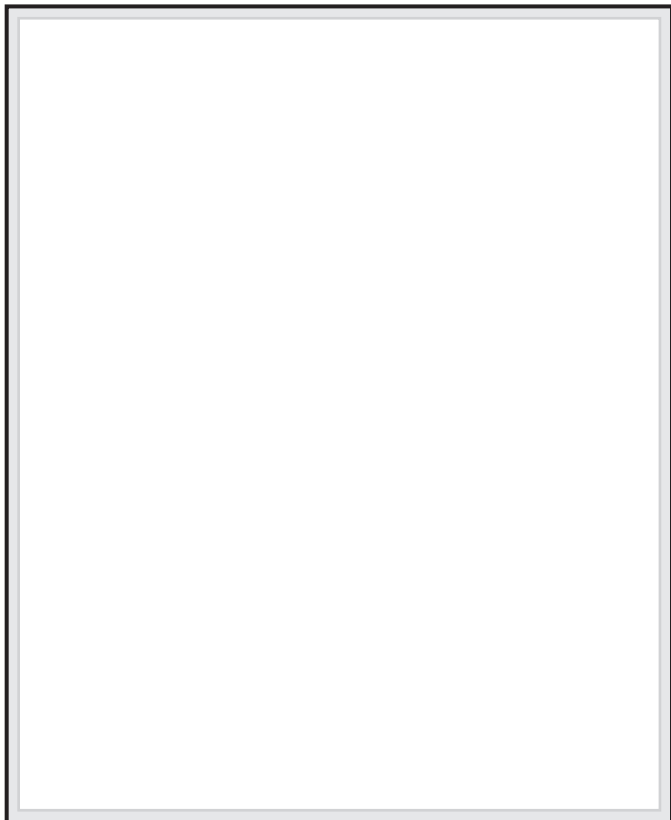
**MODEL 1106-1358**  
Supplied w/ Handle welded on

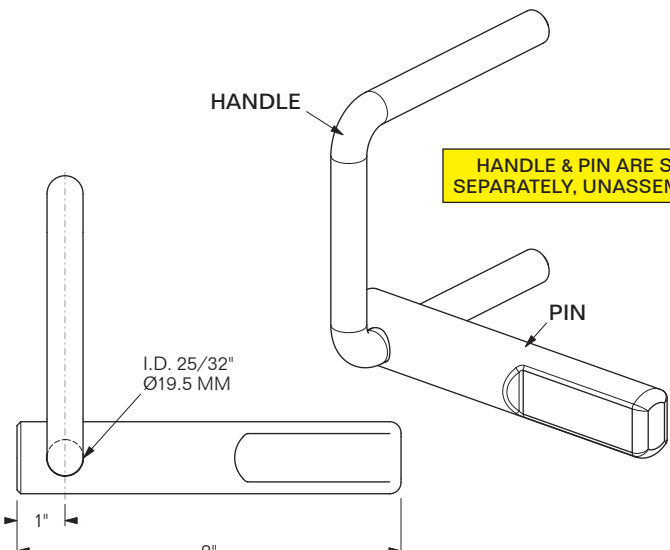
**COMPARE AGAINST PIN & HANDLE # 1106-1469**

**SUB FOR:** PENZ 20-96  
**FITS:** PENZ 90-26-XX & SCHULZ FB88-HHL PINLOCKS  
**MATERIAL:** FAB. STEEL **FINISH:** PRIMER  
**WEIGHT:** 4.8 LBS / 2.18 Kg

**MODEL 1106-1363**

**SUB FOR:** WESTLAKE 1211  
**FITS:** WESTLAKE ML80-2/3 & BUFFERS 1103-1642-L/R PINLOCKS  
**MATERIAL:** FORGED STEEL **FINISH:** PRIMER  
**WEIGHT:** 3.11 LBS / 1.41 Kg





**HANDLE**

**PIN**

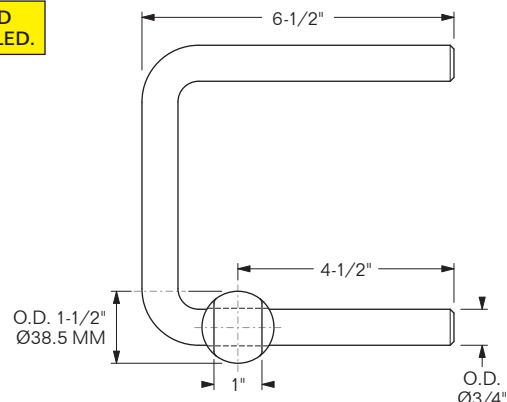
I.D. 25/32"  
Ø19.5 MM

1" 8"

HANDLE & PIN ARE SOLD SEPARATELY, UNASSEMBLED.

**PIN** MODEL 1106-1374-2

**HANDLE** MODEL 1107-1374-1



6-1/2"

4-1/2"

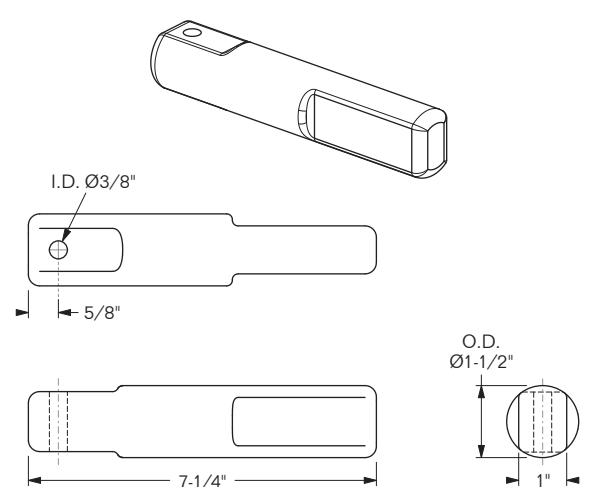
1"

O.D. 1-1/2"  
Ø38.5 MM

O.D. Ø3/4"

**SUB FOR:** PENZ 20-45-2 **FOR USE ON:** BERTOLINI CHASSIS  
**WORKS WITH:** PENZ 20-45-1 HANDLE  
**PIN MATERIAL:** FORGED STEEL **HANDLE MATERIAL:** ROUND ROD  
**FINISH:** PRIMER **PIN WEIGHT:** 3.45 LBS / 1.56 Kg  
**HANDLE WEIGHT:** 2.11 LBS / 0.96 Kg

**MODEL 1106-1380**



I.D. Ø3/8"

5/8"

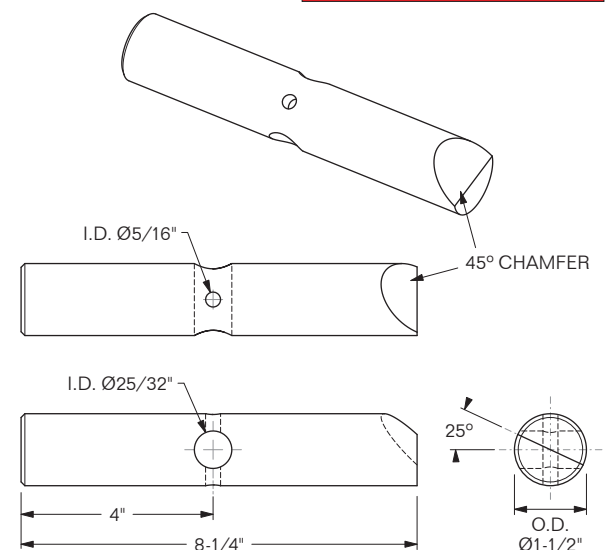
7-1/4"

O.D. Ø1-1/2"

1"

**SUB FOR:** PENZ 30-21  
**FITS:** PENZ 90-01-XX & SCHULZ FB55HL-XX PINLOCKS  
**WORKS WITH:** BUFFERS 1107-1464 HANDLE  
**MATERIAL:** FORGED STEEL **FINISH:** PRIMER  
**WEIGHT:** 3.1 LBS / 1.41 Kg

**MODEL 1106-1384**



I.D. Ø5/16"

45° CHAMFER

I.D. Ø25/32"

4" 8-1/4"

25°

O.D. Ø1-1/2"

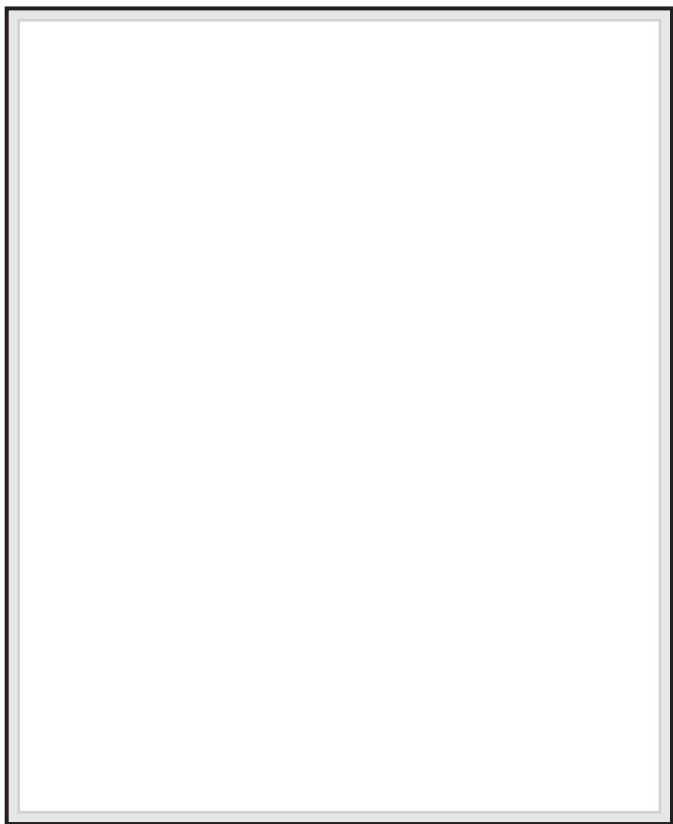
**SUB FOR:** PENZ 30-20  
**FOR USE ON:** THEURER CHASSIS  
**MATERIAL:** FAB. STEEL **FINISH:** PRIMER  
**WEIGHT:** 3.85 LBS / 1.75 Kg

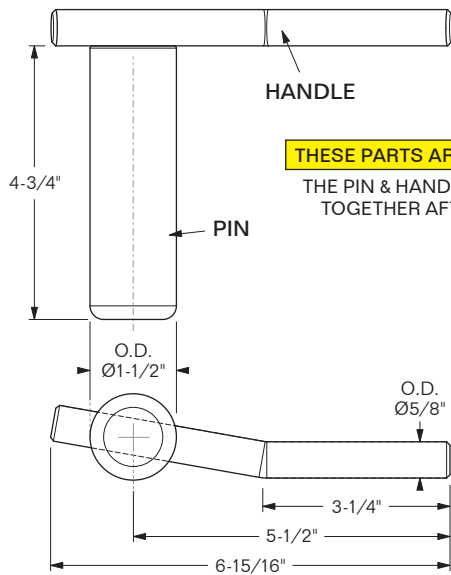
**MODEL 1106-1398**  
Supplied w/ Handle welded on

**SUB FOR:** PENZ 20-38  
**MATERIAL:** FAB. STEEL **FINISH:** PRIMER  
**WEIGHT:** 4.41 LBS / 2 Kg

**MODEL 1106-1405**

**SUB FOR:** PENZ 30-11  
**MATERIAL:** FAB. STEEL **FINISH:** PRIMER  
**WEIGHT:** 3.99 LBS / 1.81 Kg

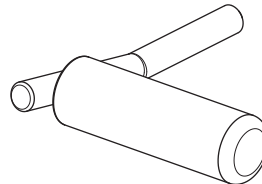




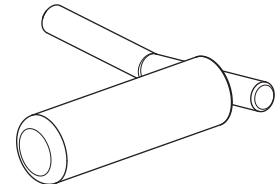
**PIN MODEL 1106-1417-2**  
**HANDLE MODEL 1107-1417-4**

**THESE PARTS ARE SOLD SEPARATELY.**

THE PIN & HANDLE MUST BE WELDED TOGETHER AFTER INSTALLATION.

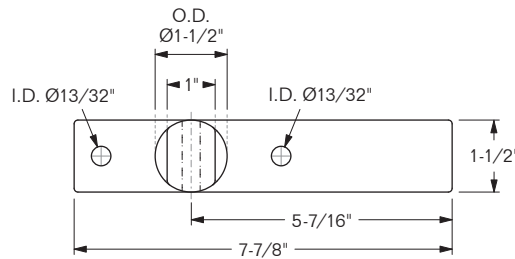
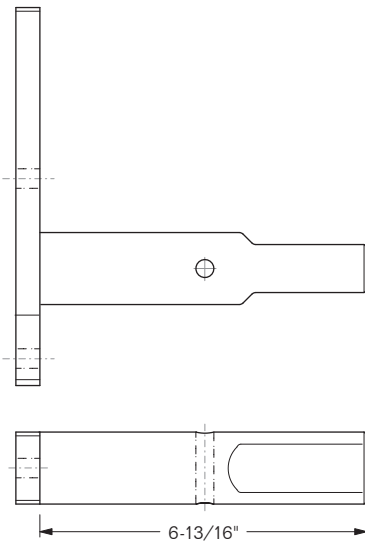


**LH CONFIGURATION**  
(Roadside)



**RH CONFIGURATION**  
(Curbside)

**SUB 1106-1417-2 PIN FOR:** PENZ 30-28 & 30-28/CR **SUB 1107-1417-4 HANDLE FOR:** PENZ 20-111  
**1106-1417-2 PIN FITS:** BUFFERS 1103-1417-L/R, 1103-1517-L/R, PENZ 90-20-XX, 90-20/CR-XX PINLOCKS  
**1107-1417-4 HANDLE FITS:** BUFFERS 1103-1417-L/R, 1103-1617-L/R, PENZ 90-19/H-XX PINLOCKS  
**MATERIAL:** FAB. STEEL **FINISH:** PRIMER  
**1106-1417-2 PIN WEIGHT:** 2.4 LBS / 1.09 Kg **1107-1417-4 HANDLE WEIGHT:** 0.6 LBS / 0.27 Kg



**MODEL 1106-1469**

Supplied w/ Handle welded on

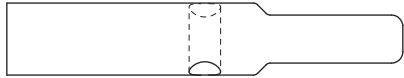
**COMPARE AGAINST PIN & HANDLE # 1106-1358**

**SUB FOR:** PENZ 20-84HDC  
**FITS:** BUFFERS 1103-1624-L/R, PENZ 90-14HD-XX & SCHULZ FB88HL-XX PINLOCKS  
**MATERIAL:** FAB. STEEL **FINISH:** PRIMER **WEIGHT:** 4.55 LBS / 2.06 Kg

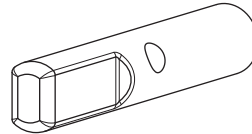
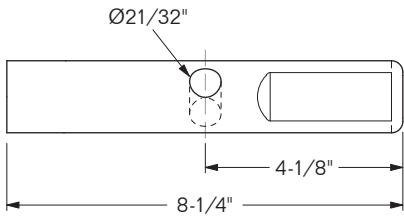
**MODEL 1106-1518-L**

**MODEL 1106-1518-R**

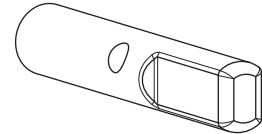
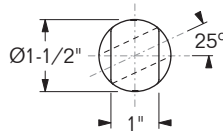
for Strick chassis



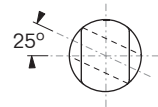
MODEL 1106-1518-R SHOWN DIMENSIONED



**MODEL 1518-L**



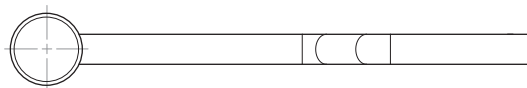
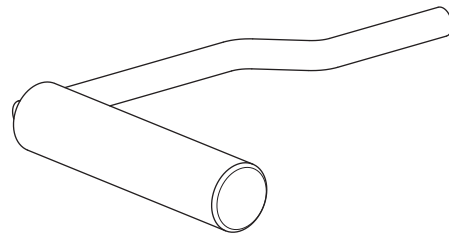
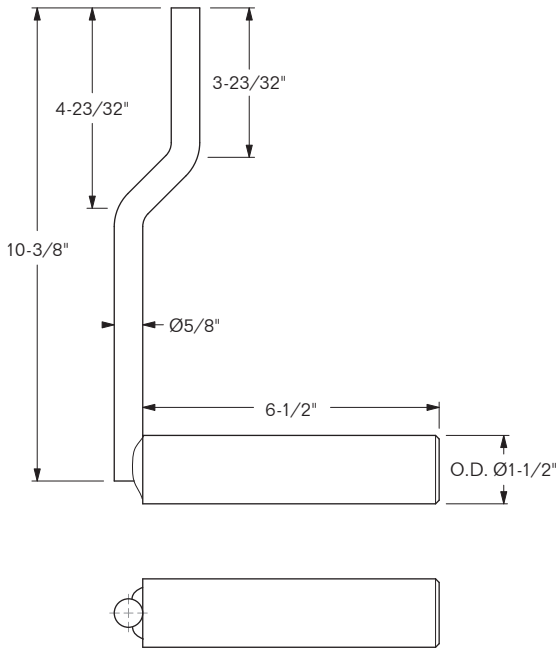
**MODEL 1518-R**



**SUB FOR:** PENZ 20-100-XX  
**MATERIAL:** FORGED STEEL **FINISH:** PRIMER  
**WEIGHT:** 3.6 LBS / 1.63 Kg

**MODEL 1106-1559**

Supplied w/ Handle welded on



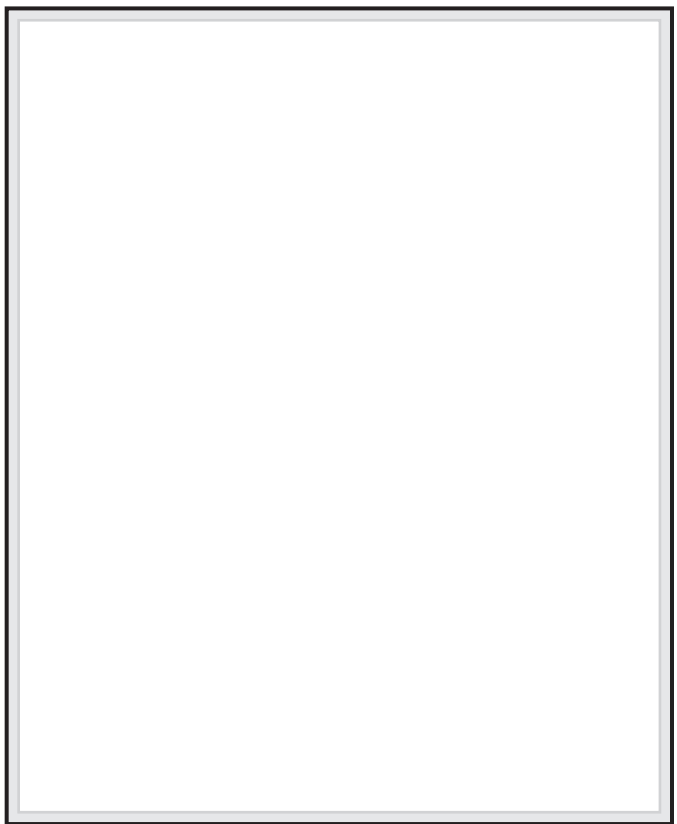
**SUB FOR:** PENZ 20-37  
**MATERIAL:** FAB. STEEL **FINISH:** PRIMER  
**WEIGHT:** 4.25 LBS / 1.93 Kg

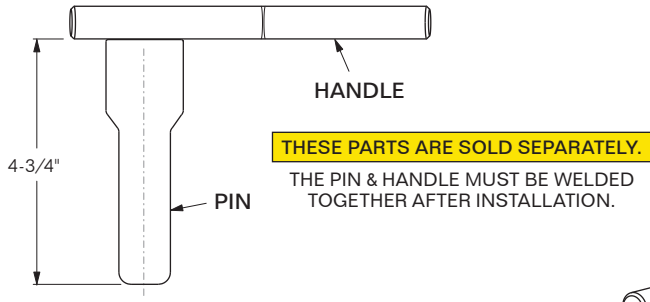
**MODEL 1106-1560**  
Supplied w/ Handle welded on

**SUB FOR:** PENZ 20-43  
**MATERIAL:** FAB. STEEL **FINISH:** PRIMER  
**WEIGHT:** 4.1 LBS / 1.86 Kg

**MODEL 1106-1569**

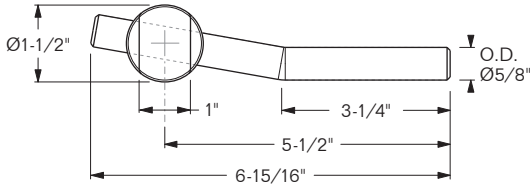
**SUB FOR:** PENZ 30-27 **FITS:** PENZ 90-13 PINLOCK  
**MATERIAL:** FORGED STEEL **FINISH:** PRIMER  
**WEIGHT:** 3.11 LBS / 1.41 Kg

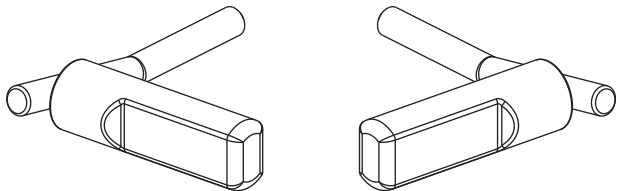




**PIN** MODEL 1106-1617-2  
**HANDLE** MODEL 1107-1417-4

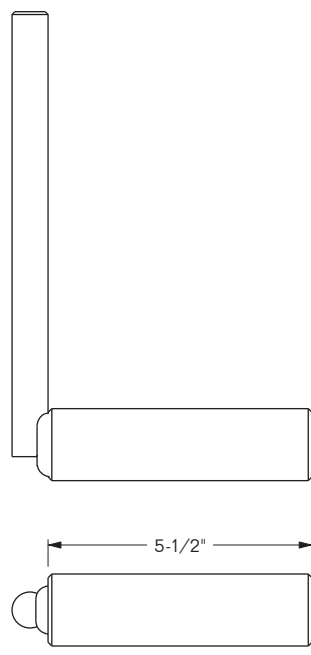
THESE PARTS ARE SOLD SEPARATELY.  
THE PIN & HANDLE MUST BE WELDED TOGETHER AFTER INSTALLATION.



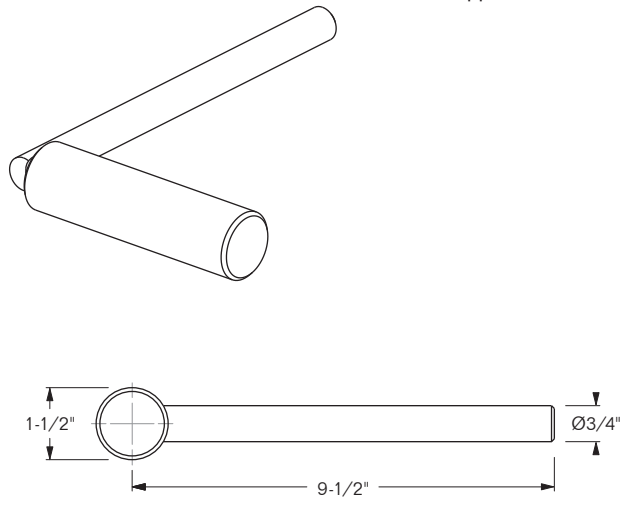


LH CONFIGURATION (ROADSIDE)      RH CONFIGURATION (CURBSIDE)

**SUB 1106-1617-2 PIN FOR:** PENZ 30-30    **SUB 1107-1417-4 HANDLE FOR:** PENZ 20-111  
**1106-1617-2 PIN FITS:** BUFFERS 1103-1617-L/R, PENZ 90-19-XX & 90-19/H-XX PINLOCKS  
**1107-1417-4 HANDLE FITS:** BUFFERS 1103-1417-L/R, 1103-1617-L/R & PENZ 90-19/H-XX PINLOCKS  
**MATERIAL:** FAB. STEEL    **FINISH:** PRIMER  
**1106-1617-2 PIN WEIGHT:** 2 LBS / 0.91 Kg    **1107-1417-4 HANDLE WEIGHT:** 0.6 LBS / 0.27 Kg



**MODEL 1106-1640**  
Supplied w/ Handle welded on



**SUB FOR:** PENZ 20-42  
**MATERIAL:** FAB. STEEL    **FINISH:** PRIMER  
**WEIGHT:** 3.95 LBS / 1.79 Kg



**MODEL 1106-1644-L**

**MODEL 1106-1644-L**

**MODEL 1106-1644-R**

**MODEL 1106-1644-R**

**SUB FOR:** PENZ 30-17-A-XX  
**MATERIAL:** FAB. STEEL **FINISH:** PRIMER  
**WEIGHT:** 1.9 LBS / 0.86 Kg

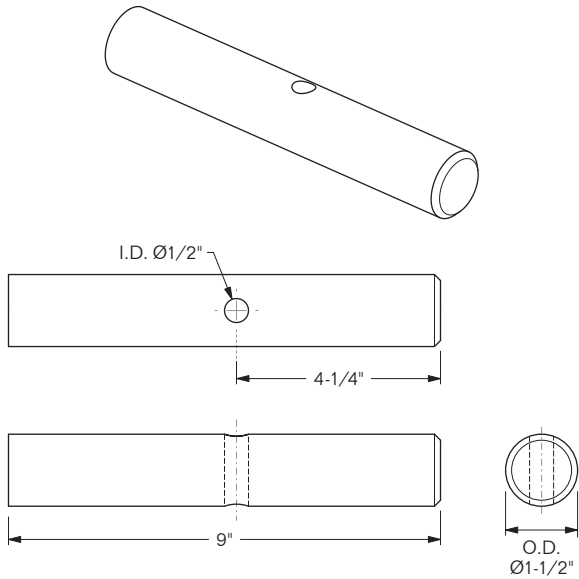
**MODEL 1106-1759**

**MODEL 1106-1759**

Supplied w/ Handle welded on

**SUB FOR:** PENZ 20-40  
**MATERIAL:** FAB. STEEL **FINISH:** PRIMER  
**WEIGHT:** 4.4 LBS / 2 Kg

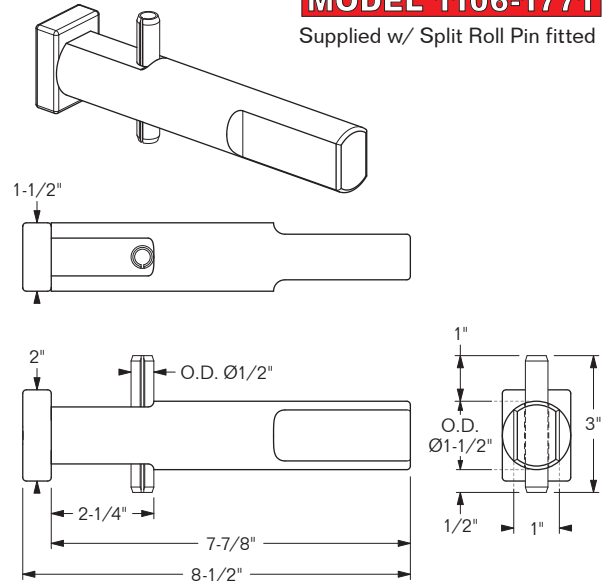
**MODEL 1106-1769**



**SUB FOR:** PENZ 30-13  
**MATERIAL:** FAB. STEEL **FINISH:** PRIMER  
**WEIGHT:** 4.4 LBS / 2 Kg

**MODEL 1106-1771**

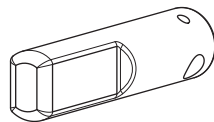
Supplied w/ Split Roll Pin fitted



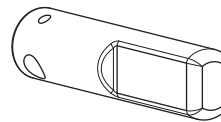
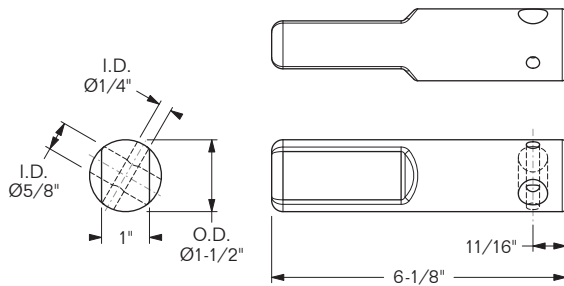
**SUB FOR:** PENZ 20-11  
**FITS:** SCHULZ FB44HL-XX PINLOCKS  
**MATERIAL:** FORGED STEEL **FINISH:** PRIMER  
**WEIGHT:** 4.1 LBS / 1.86 Kg

**MODEL 1106-1917-2-L**

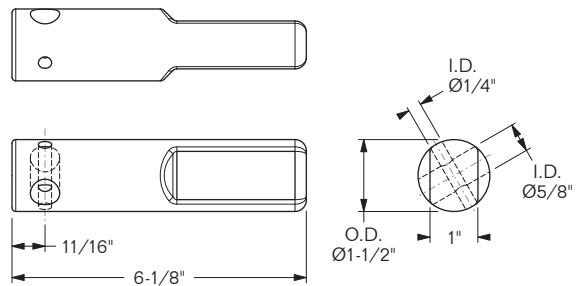
**MODEL 1106-1917-2-R**



**MODEL 1917-2-L**  
Roadside

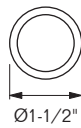
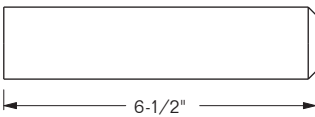
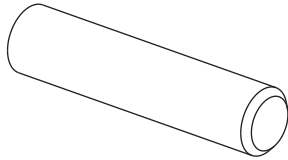


**MODEL 1917-2-R**  
Curbside



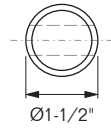
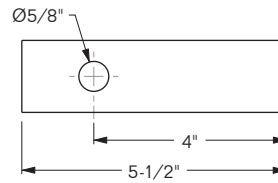
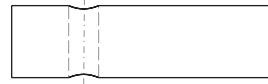
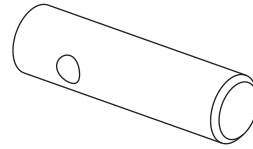
**SUB FOR:** J.B. HUNT 31821 (right/CS) & 31822 (left/RS)  
**FITS:** BUFFERS 1103-1917-L/R PINLOCKS  
**MATERIAL:** FORGED STEEL **FINISH:** PRIMER  
**WEIGHT:** 2.5 LBS / 1.13 Kg

**MODEL 1106-2242**



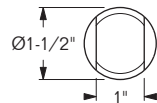
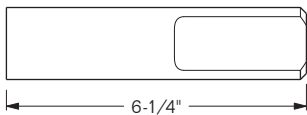
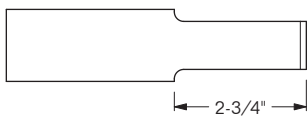
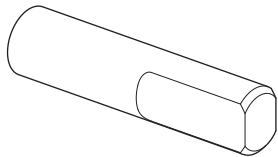
**SUB FOR:** PENZ 30-16  
**MATERIAL:** FAB. STEEL **FINISH:** PRIMER  
**WEIGHT:** 3.26 LBS / 1.48 Kg

**MODEL 1106-2364**



**SUB FOR:** PENZ 30-36  
**MATERIAL:** FAB. STEEL **FINISH:** PRIMER  
**WEIGHT:** 2.62 LBS / 1.19 Kg

**MODEL 1106-2365**

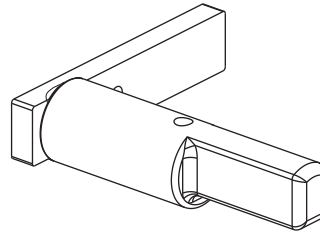
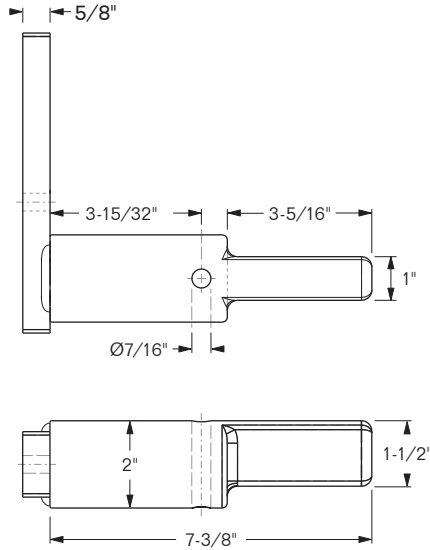


**SUB FOR:** PENZ 30-29  
**MATERIAL:** FAB. STEEL **FINISH:** PRIMER  
**WEIGHT:** 2.83 LBS / 1.28 Kg

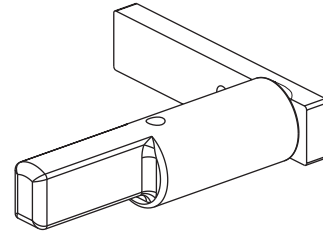
**MODEL 1106-2525-L**

**MODEL 1106-2525-R**

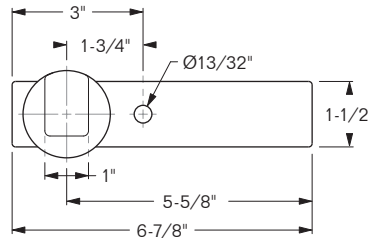
Both models supplied w/  
Handle welded on



**MODEL 1106-2525-L**

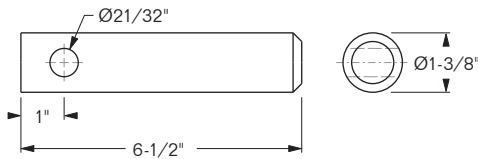
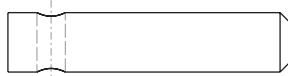
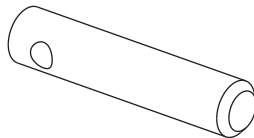


**MODEL 1106-2525-R**



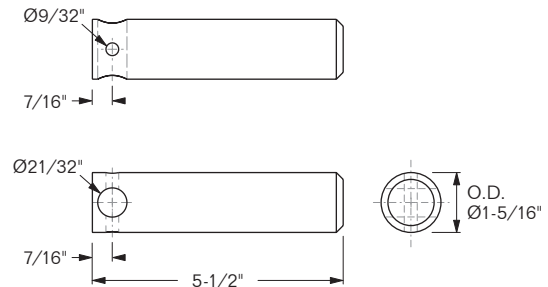
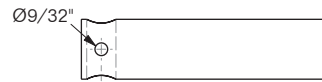
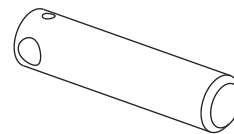
**SUB FOR:** PENZ 20-124-XX  
**FITS:** PENZ 90-42-XX PINLOCK  
**MATERIAL:** FORGED STEEL PIN  
& FAB. STEEL HANDLE  
**FINISH:** PRIMER  
**WEIGHT:** 6.9 LBS / 3.13 Kg

**MODEL 1106-2546**



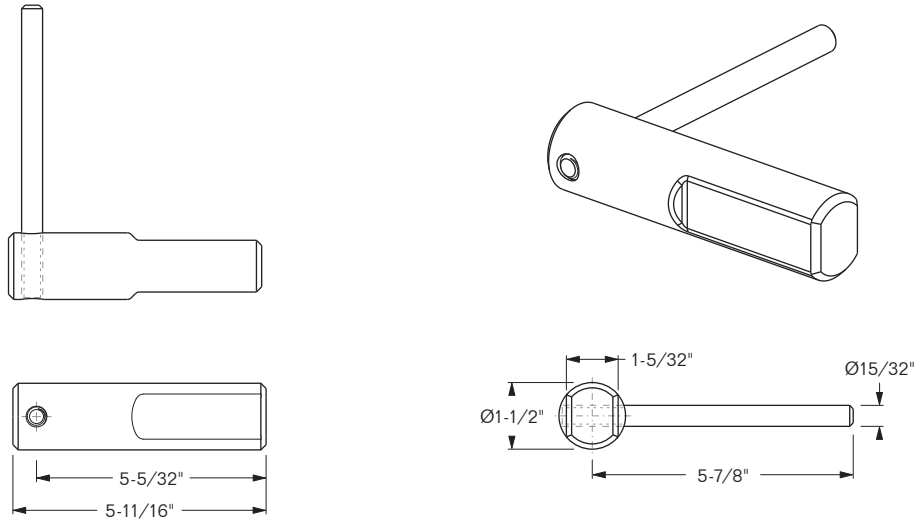
**SUB FOR:** PENZ 30-22  
**MATERIAL:** FORGED STEEL **FINISH:** PRIMER  
**WEIGHT:** 2.6 LBS / 1.18 Kg

**MODEL 1106-2674**



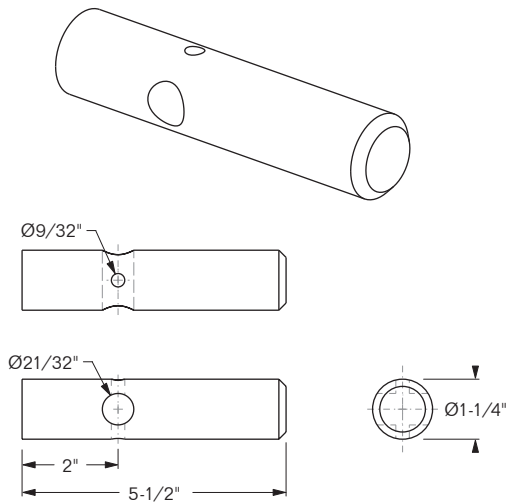
**SUB FOR:** PENZ 30-03  
**MATERIAL:** FORGED STEEL **FINISH:** PRIMER  
**WEIGHT:** 2.05 LBS / 0.93 Kg

**MODEL 1106-2766**



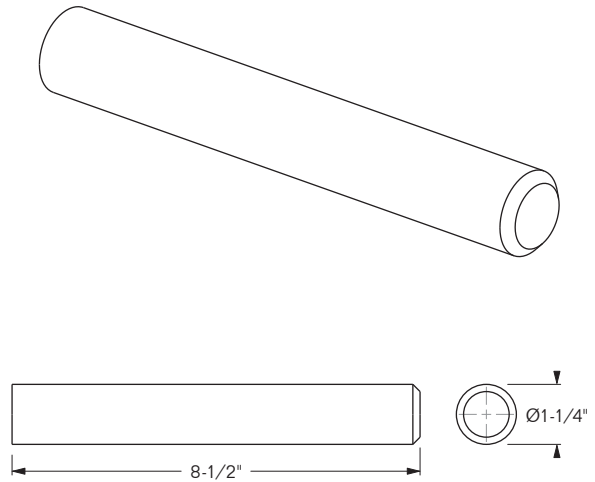
**SUB FOR:** CMCI / SEACO **FITS:** CMCI PINLOCK  
**MATERIAL:** FORGED STEEL PIN & FAB. STEEL HANDLE  
**FINISH:** ZINC-PLATED **WEIGHT:** 2.94 LBS / 1.33 Kg

**MODEL 1106-2832**



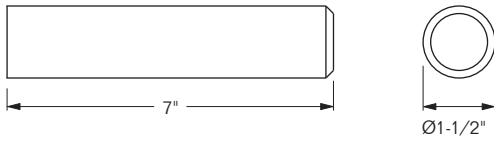
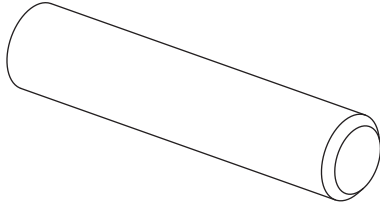
**SUB FOR:** PENZ 30-05  
**MATERIAL:** FORGED STEEL **FINISH:** PRIMER  
**WEIGHT:** 2 LBS / 0.91 Kg

**MODEL 1106-2833**



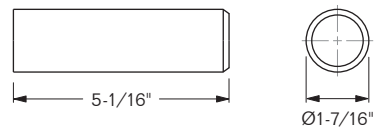
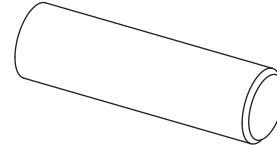
**SUB FOR:** PENZ 30-12  
**MATERIAL:** FORGED STEEL **FINISH:** PRIMER  
**WEIGHT:** 3.05 LBS / 1.38 Kg

**MODEL 1106-2834**



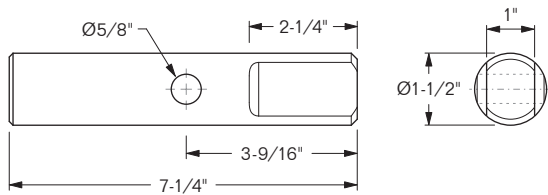
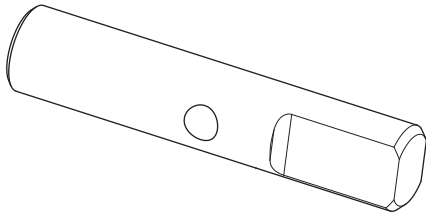
**SUB FOR:** PENZ 30-16A  
**MATERIAL:** FORGED STEEL **FINISH:** PRIMER  
**WEIGHT:** 3.39 LBS / 1.54 Kg

**MODEL 1106-6926**



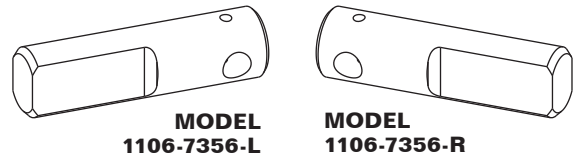
**FITS:** MAERSK CHASSIS  
**MATERIAL:** FORGED STEEL **FINISH:** PRIMER  
**WEIGHT:** 2.25 LBS / 1.02 Kg

**MODEL 1106-7355**

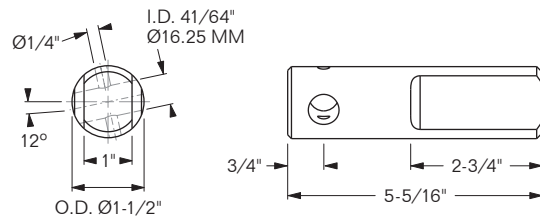


**SUB FOR:** PENZ 30-24  
**MATERIAL:** FORGED STEEL **FINISH:** PRIMER  
**WEIGHT:** 2.83 LBS / 1.28 Kg

**MODEL 1106-7356-L**  
**MODEL 1106-7356-R**

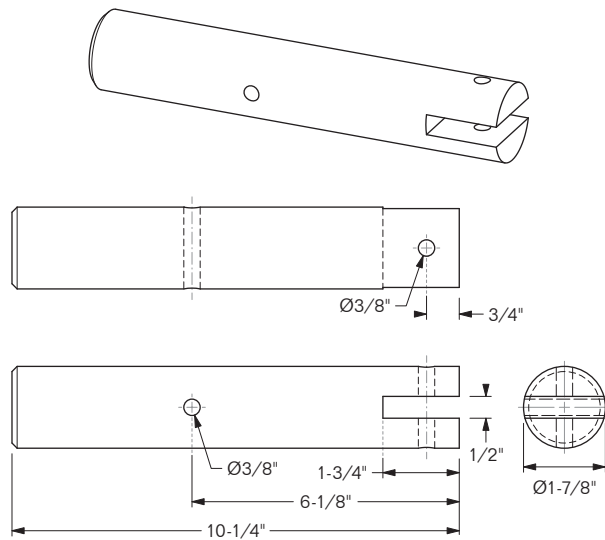


MODEL 1106-7356-R SHOWN DIMENSIONED. 1106-7356-L IS THE MIRROR OPPOSITE.



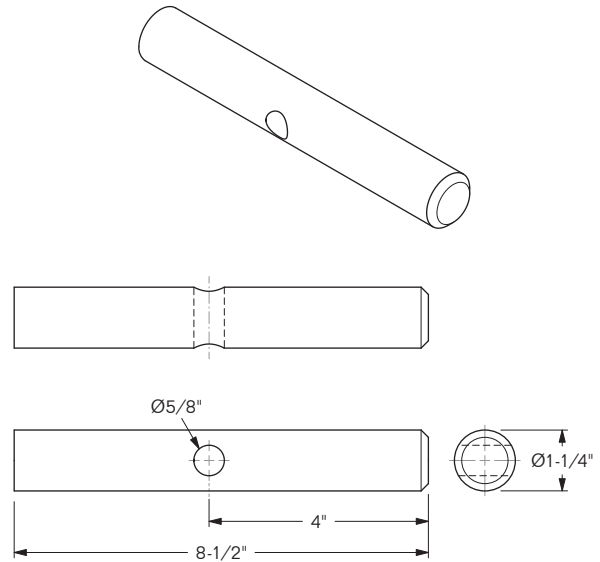
**SUB FOR:** PENZ 30-31-XX  
**WORKS WITH:** PENZ 90-29-XX PINLOCK  
**MATERIAL:** FORGED STEEL **FINISH:** PRIMER  
**WEIGHT:** 2.16 LBS / 0.98 Kg

**MODEL 1106-7357**



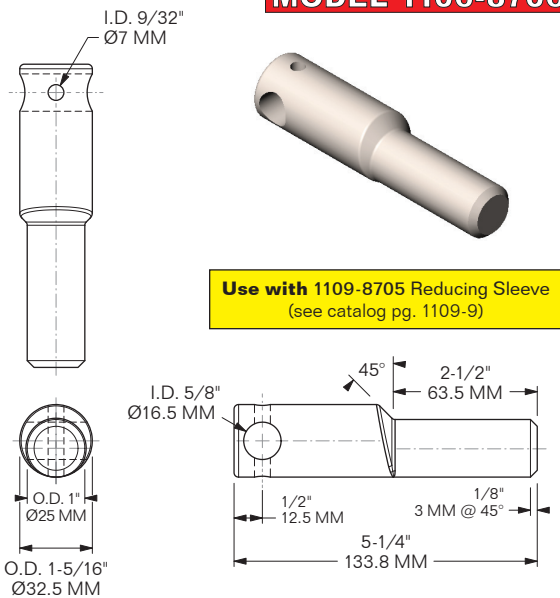
**SUB FOR:** PENZ 30-38  
**FOR USE ON:** SEALAND CHASSIS  
**MATERIAL:** FORGED STEEL **FINISH:** PRIMER  
**WEIGHT:** 7.45 LBS / 3.38 Kg

**MODEL 1106-8176**



**SUB FOR:** PENZ 30-14  
**MATERIAL:** FORGED STEEL **FINISH:** PRIMER  
**WEIGHT:** 3.1 LBS / 1.41 Kg

**MODEL 1106-8706**



**Use with 1109-8705 Reducing Sleeve**  
(see catalog pg. 1109-9)

**USE WITH:** BUFFERS 1109-8705 REDUCING SLEEVE  
**WORKS WITH:** BUFFERS 1103-1175 & 1103-1213 PINLOCKS  
**MATERIAL:** CAST STEEL **FINISH:** PRIMER  
**WEIGHT:** 1.39 LBS / 0.63 Kg