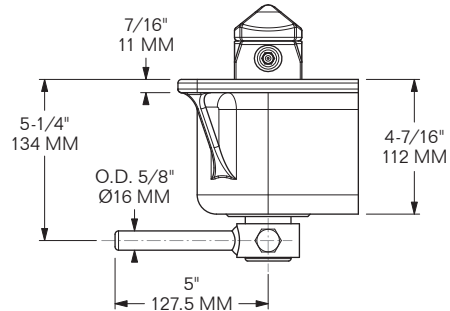
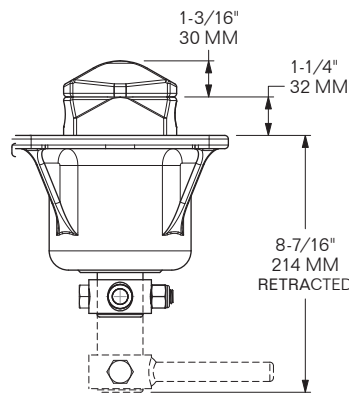
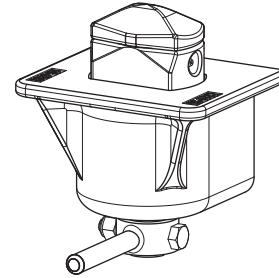
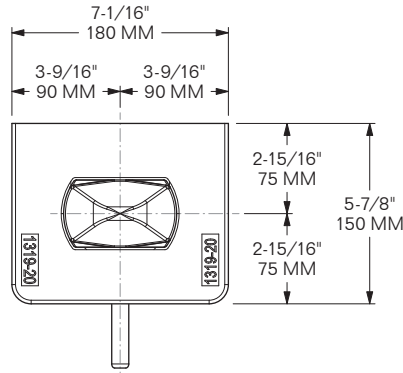
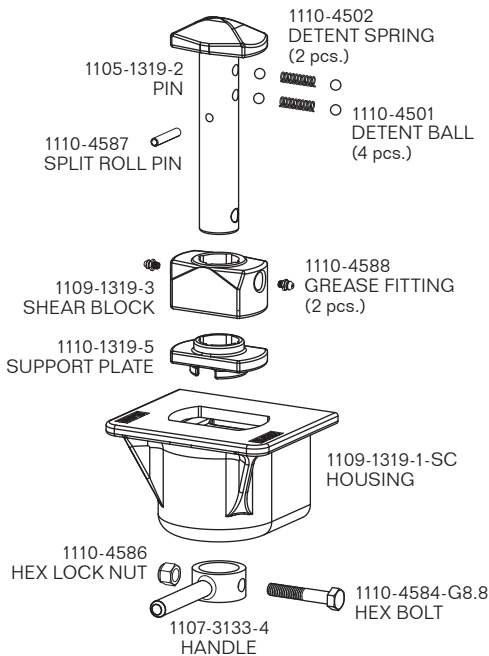


MODEL 1101-1319



EXPLODED VIEW



FINISH: WELDABLE PRIMER
WEIGHT: 22.3 LBS / 10.1 Kg

- Special design that engages and retracts w/ Container still loaded on Chassis
- For use on ISO Standard Chassis Trailers or Swap-Body Chassis
- Exceeds ADR 6.8.1.2 strength requirements
- Load criteria based on 18,000 Kg total mass, as specified by ADR 6.8.2.1.2

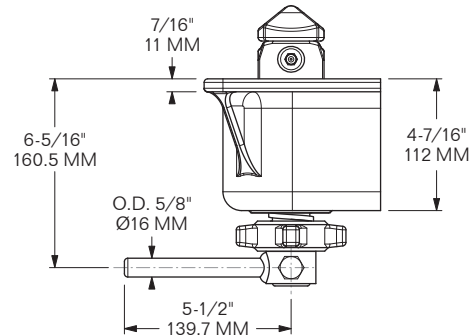
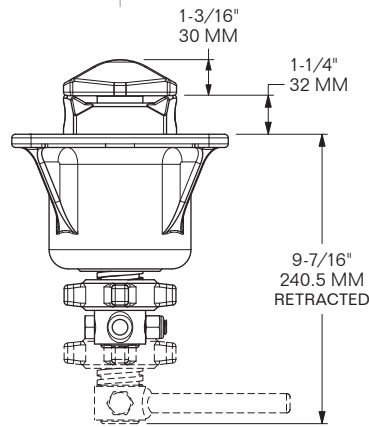
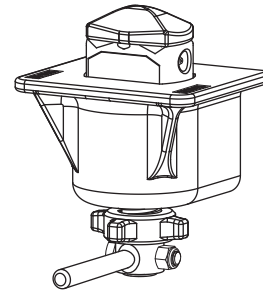
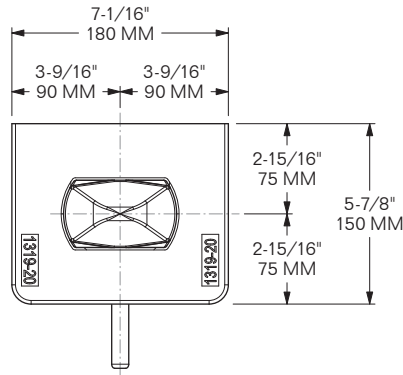


1105-1319-INNER CONTAINS:

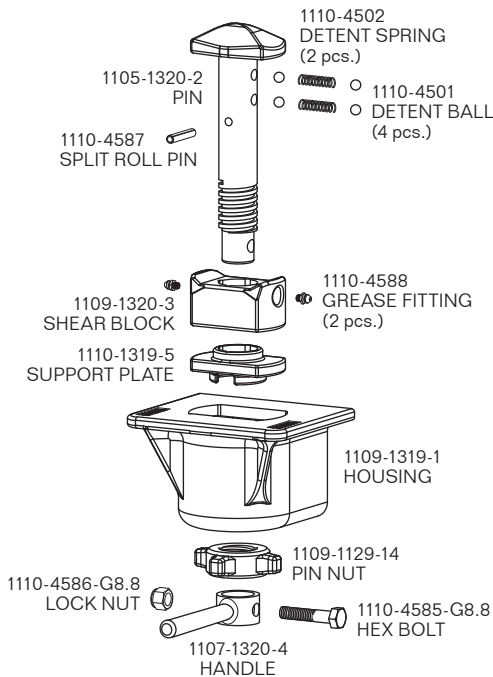
- 1105-1319-2 PIN
- 1110-4501 DETENT BALL (4 pcs.)
- 1110-4502 DETENT SPRING (2 pcs.)
- 1109-1319-3 SHEAR BLOCK
- 1110-4588 GREASE FITTING (2 pcs.)
- 1110-1319-5 SUPPORT PLATE
- 1110-4587 SPLIT ROLL PIN

ALSO AVAILABLE: 1105-1316-INNER-HDG

MODEL 1101-1320

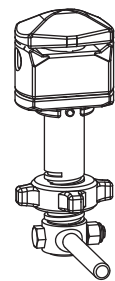


EXPLODED VIEW



FINISH: WELDABLE PRIMER
WEIGHT: 23.4 LBS / 10.61 Kg

- Special design that engages and retracts w/ Container still loaded on Chassis
- For use on ISO Standard Chassis Trailers or Swap-Body Chassis
- Exceeds ADR 6.8.1.2 strength requirements
- Load criteria based on 18,000 Kg total mass, as specified by ADR 6.8.2.1.2



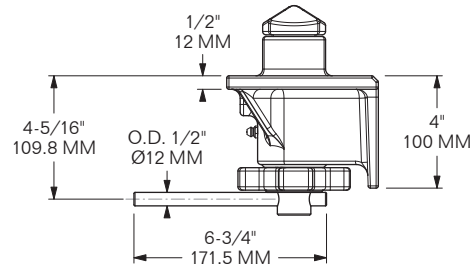
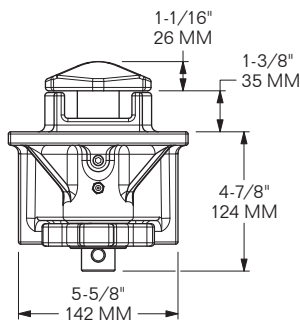
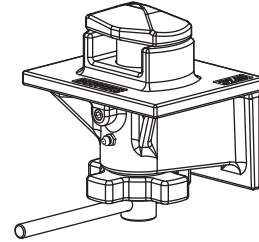
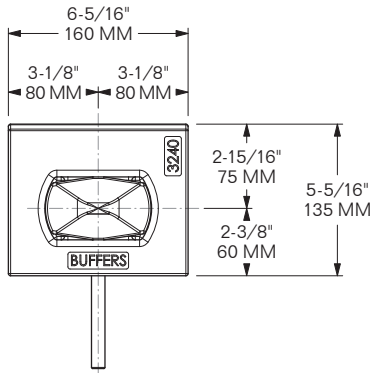
1105-1320-INNER CONTAINS:

- 1105-1320-2 PIN (209 MM LONG UNDER HEAD)
- 1110-4501 DETENT BALL (4 pcs.)
- 1110-4502 DETENT SPRING (2 pcs.)
- 1109-1320-3 SHEAR BLOCK
- 1110-4588 GREASE FITTING (2 pcs.)
- 1110-1319-5 SUPPORT PLATE
- 1110-4587 SPLIT ROLL PIN
- 1109-1129-14 HAND NUT
- 1107-1320-4 HANDLE
- 1110-4585-G8.8 HEX BOLT
- 1110-4586-G8.8 HEX NUT

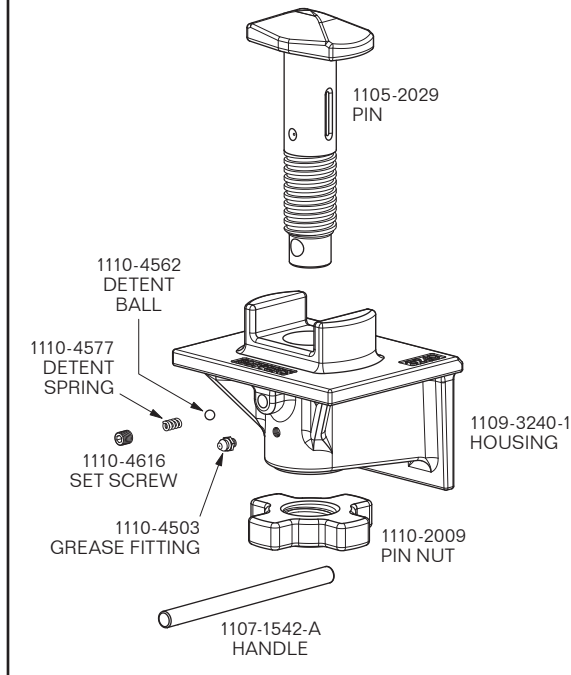
ALSO AVAILABLE: 1105-1320-INNER-MOD
w/ LONGER PIN (222 MM) UNDER HEAD.

MODEL 1101-3240-NRS

Blair style



EXPLODED VIEW

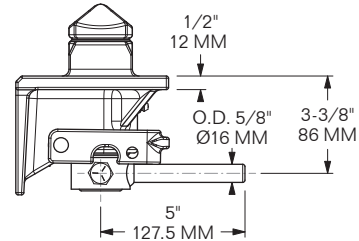
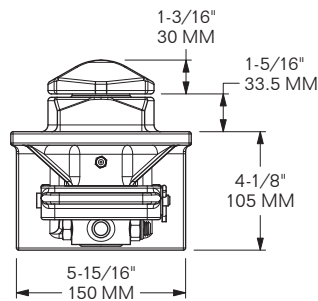
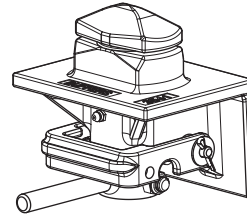
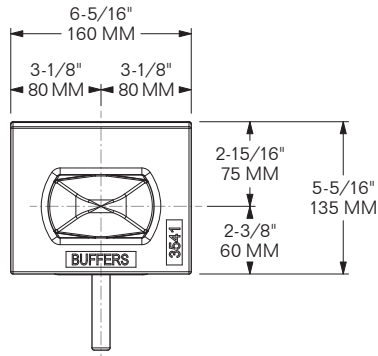


NOTE: Handle welded by installer.

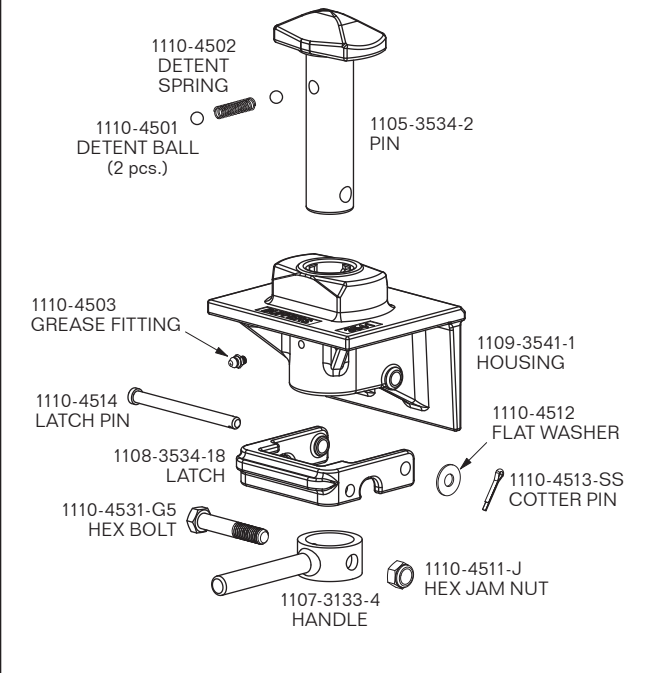
SUB FOR: BLAIR 149
FINISH: WELDABLE PRIMER
WEIGHT: 18.1 LBS / 8.21 Kg

- Non-handed design; locks to either left or right
- Euro-dimensioned Top & Back Plates
- Grease Fitting
- Cast Steel Housing & Forged Steel Pin
- Screwdown Nut for tighter securing

MODEL 1101-3541-NR



EXPLODED VIEW



SUB FOR: BLAIR 149/2NR,
 NSN 5325-01-487-5196, & REINKE 217222
FINISH: WELDABLE PRIMER
WEIGHT: 18.8 LBS / 8.53 Kg

- Non-handed design; locks to either left or right
- Euro-dimensioned Top & Back Plates
- Grease Fitting
- Cast Steel Housing & Forged Steel Pin