

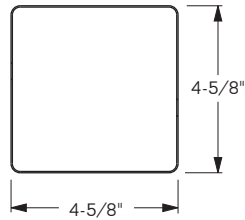
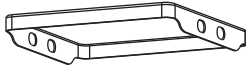


# LANDING LEG HARDWARE LANDING LEG COVERS

CHASSIS & TRAILERS:  
AUTO / DRY VAN / FLATBED / REEFER VAN

## MODEL 1009-2398

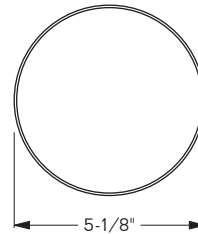
LANDING LEG COVER  
Square



**SUB FOR:** HOLLAND XA-06218 **FITS:** ATLAS 55,  
HOLLAND 150 LEG **MATERIAL:** FAB. STEEL  
**FINISH:** PRIMER **WEIGHT:** 0.3 LBS / 0.14 Kg

## MODEL 1009-2399

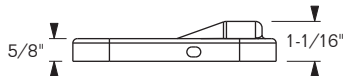
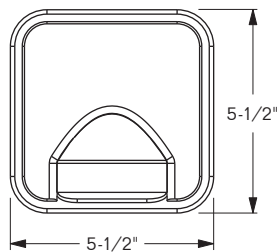
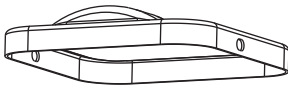
LANDING LEG COVER  
Round



**SUB FOR:** K/W 751568 **FITS:** K/W AUSTIN LIFT-PAK  
**MATERIAL:** FAB. STEEL **FINISH:** PRIMER  
**WEIGHT:** 0.29 LBS / 0.13 Kg

## MODEL 1009-6466

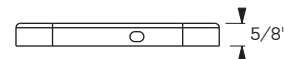
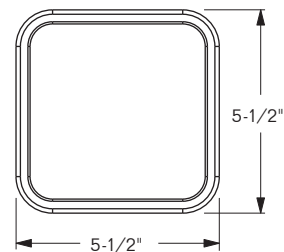
LANDING LEG COVER  
Square



**SUB FOR:** JOST C10217  
**FITS:** ALL JOST GEARBOX LEGS (2-SPEED)  
**MATERIAL:** FAB. STEEL **FINISH:** PRIMER  
**WEIGHT:** 0.63 LBS / 0.29 Kg

## MODEL 1009-6467

LANDING LEG COVER  
Square



**SUB FOR:** JOST C10259  
**FITS:** ALL JOST SLAVE LEGS (SINGLE-SPEED)  
**MATERIAL:** FAB. STEEL **FINISH:** PRIMER  
**WEIGHT:** 0.62 LBS / 0.28 Kg

# BUFFERS USA INC

"The Intermodal Hardware Specialists"

1009-1



904-696-0010

E-mail: sales@buffersusa.com

3/8/19

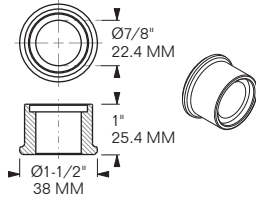


# LANDING LEG HARDWARE LANDING LEG COVERS

CHASSIS & TRAILERS:  
AUTO / DRY VAN / FLATBED / REEFER VAN

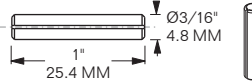
**FITS: HOLLAND 150 LEG**

**MODEL 1004-6522**  
**SHAFT AXLE BEARING**



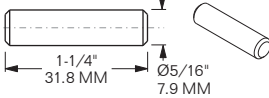
**SUB FOR:** XB-0308-PM  
**WEIGHT:** 0.16 LBS / 0.07 Kg

**MODEL 1110-6523**  
**SPLIT ROLL PIN**

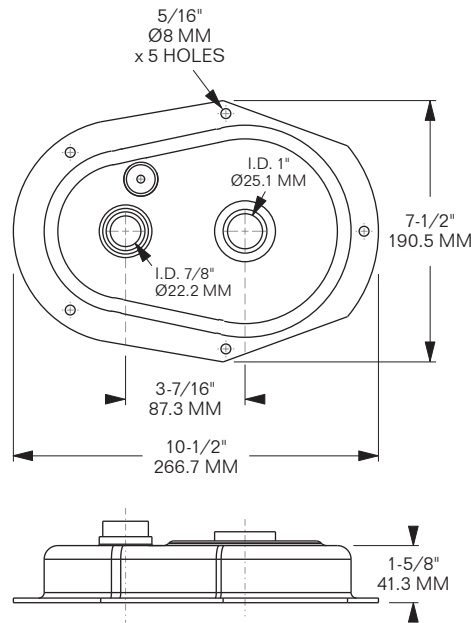


**SUB FOR:** XB-21-S-187-1000  
**WEIGHT:** 0.006 LBS / 0.003 Kg

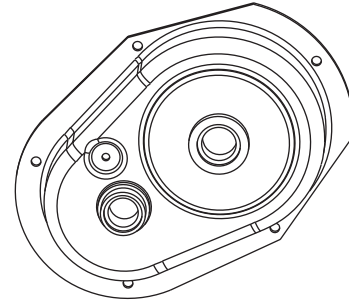
**MODEL 1004-6524-125**  
**STOP PIN**



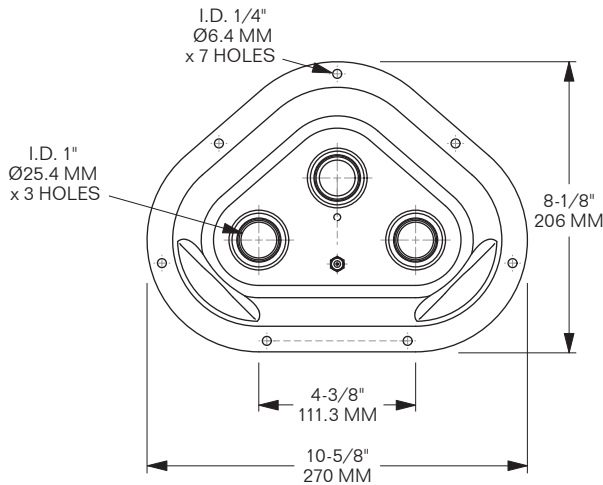
**SUB FOR:** XA-01792  
**WEIGHT:** 0.03 LBS / 0.01 Kg



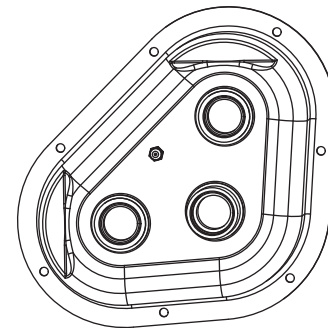
**MODEL 1009-2758**  
**GEARBOX COVER**



**SUB FOR:** HOLLAND XA-06224-A  
**FITS:** HOLLAND 150 LEG  
**MATERIAL:** FAB. STEEL  
**FINISH:** SELF-COLOR  
**WEIGHT:** 3.67 LBS / 1.67 Kg



**MODEL 1009-6527**  
**GEARBOX COVER**



**SUB FOR:** HOLLAND XB-LG0663  
**FITS:** HOLLAND 4700, 4701 & 51000 LEG  
**MATERIAL:** FAB. STEEL **FINISH:** PRIMER  
**WEIGHT:** 3.4 LBS / 1.52 Kg

**BUFFERS USA INC**

"The Intermodal Hardware Specialists"

**1009-2**



**904-696-0010**

E-mail: [sales@buffersusa.com](mailto:sales@buffersusa.com)