



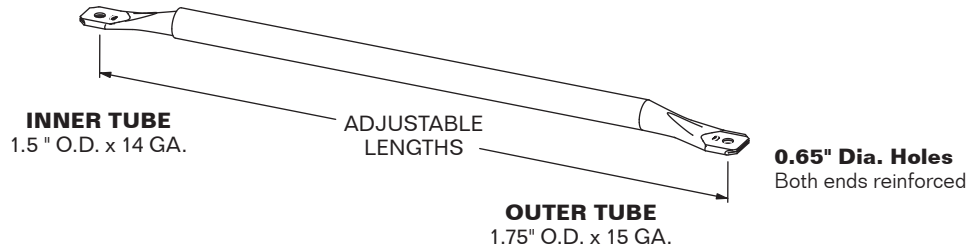
# ADJUSTABLE BRACES

## STANDARD & MEDIUM DUTY

CHASSIS & TRAILERS:  
AUTO / DRY VAN / FLATBED / REEFER VAN

### ADJUSTABLE BRACES

Standard Duty

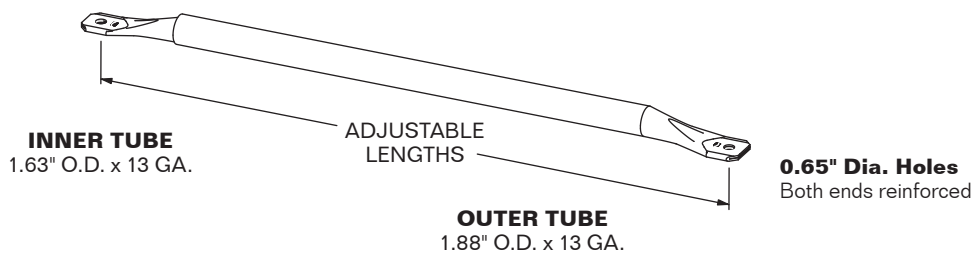


MODEL #:	ADJUSTABLE FROM:	WEIGHT:	SUB FOR HOLLAND #:	SUB FOR PENZ #:
<b>1006-1308</b>	22" - 30"	3.7 LBS	— n/a —	04-10-22-30
<b>1006-1309</b>	26" - 41"	4.85 LBS	50618006	04-10-26-41
<b>1006-1310</b>	42" - 57"	7.45 LBS	50618007	04-10-42-57
<b>1006-1311</b>	56" - 72"	9.1 LBS	50618008	04-10-56-72
<b>1006-1312</b>	72" - 88"	11 LBS	— n/a —	04-10-72-88

**MATERIAL: STEEL TUBE FINISH: PRIMER**

### ADJUSTABLE BRACES

Medium Duty



MODEL #:	ADJUSTABLE FROM:	WEIGHT:	SUB FOR HOLLAND #:	SUB FOR PENZ #:
<b>1006-1613</b>	26" - 41"	6.05 LBS	50618012	04-15-26-41
<b>1006-1614</b>	42" - 57"	7.83 LBS	50618013	04-15-42-57
<b>1006-1615</b>	56" - 72"	9.85 LBS	50618014	04-15-56-72

**MATERIAL: STEEL TUBE FINISH: PRIMER**



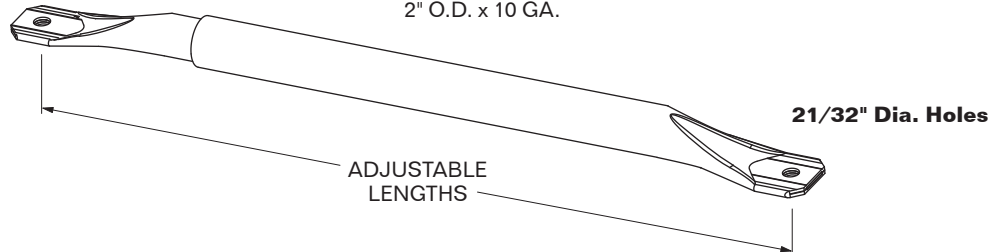
# ADJUSTABLE BRACES

HEAVY DUTY  
CHASSIS & TRAILERS:  
AUTO / DRY VAN / FLATBED / REEFER VAN

## ADJUSTABLE BRACES Heavy Duty

**INNER TUBE**  
1-5/8" O.D. x 11 GA. WALL THICKNESS  
THIS END WELDED

**OUTER TUBE**  
2" O.D. x 10 GA.



MODEL #:	ADJUSTABLE FROM:	WEIGHT:	SUB FOR PENZ #:
<b>1006-1766</b>	26" – 41"	8.05 LBS	04-40-26-41
<b>1006-1767</b>	42" – 57"	10.8 LBS	04-40-42-57
<b>1006-1768</b>	56" – 72"	14.65 LBS	04-40-56-72

**MATERIAL:** STEEL TUBE **FINISH:** PRIMER

**BUFFERS USA INC**

"The Intermodal Hardware Specialists"

**1006-2**

**904-696-0010**  
E-mail: [sales@buffersusa.com](mailto:sales@buffersusa.com)

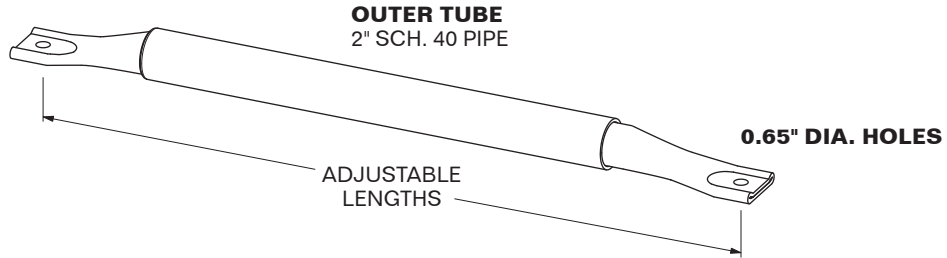


# ADJUSTABLE BRACES

EXTRA HEAVY DUTY  
CHASSIS & TRAILERS:  
AUTO / DRY VAN / FLATBED / REEFER VAN

**INNER TUBES**  
2" O.D. x 0.188" WALL THICKNESS  
THIS END WELDED

**ADJUSTABLE BRACES**  
Extra Heavy Duty



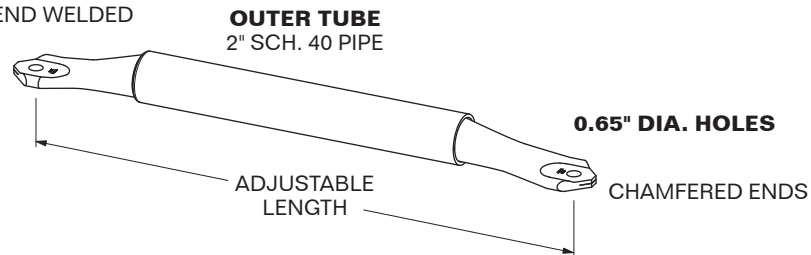
MODEL:	ADJUSTABLE FROM:	WEIGHT:	SUB FOR HOLLAND:	SUB FOR PENZ:
<b>1006-1527</b>	20" - 24"	8.9 LBS	— n/a —	04-80-20-24
<b>1006-1528</b>	25" - 34"	11.9 LBS	— n/a —	04-80-25-34
<b>1006-1529</b>	26" - 41"	13.55 LBS	50618009	04-80-26-41
<b>1006-1530</b>	35" - 54"	17.95 LBS	50618010	04-80-35-54
<b>1006-1531</b>	56" - 72"	24.3 LBS	50618011	04-80-56-72

**MATERIAL:** STEEL TUBE **FINISH:** PRIMER

**ADJUSTABLE BRACE**  
Extra Heavy Duty  
w/ Chamfered Ends

**NOTE:** The only difference between Model 1006-2470 and Model 1006-1529 is the Chamfered Ends.

**INNER TUBES**  
2" O.D. x 0.188" WALL THICKNESS  
THIS END WELDED

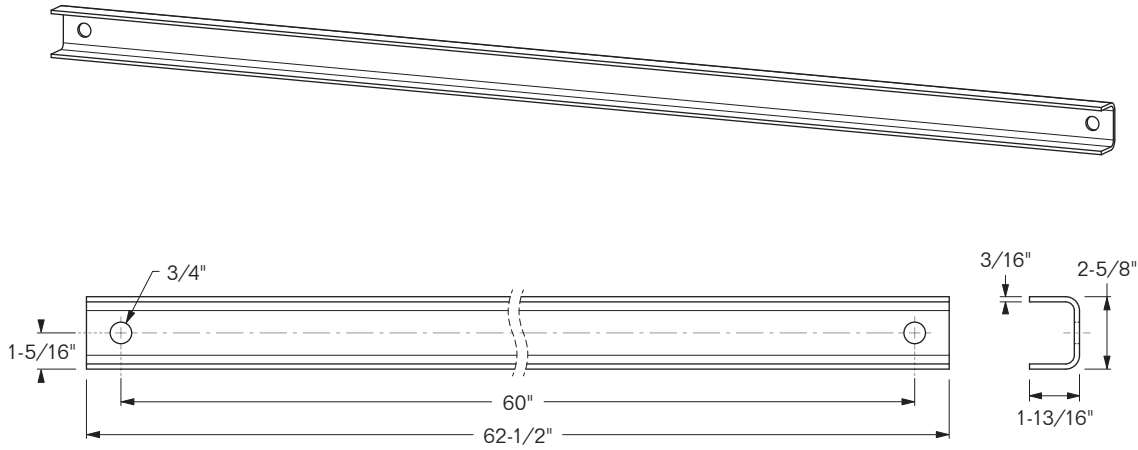


<b>MODEL 1006-2470</b>	<b>ADJUSTABLE FROM</b> 26" - 41"	13.2 LBS	<b>SUB FOR:</b> PENZ 04-80-26-41
------------------------	----------------------------------	----------	----------------------------------

**MATERIAL:** STEEL TUBE **FINISH:** PRIMER

**MODEL 1006-7602**

C-Channel



**SUB FOR:** WABASH 13S00544  
**MATERIAL:** FAB. STEEL  
**FINISH:** BLACK WELDABLE PRIMER  
**WEIGHT:** 19 LBS / 8.62 Kg



# FIXED BRACES

MEDIUM & HEAVY DUTY  
CHASSIS & TRAILERS:  
AUTO / DRY VAN / FLATBED / REEFER VAN

**FIXED BRACES**  
Medium Duty w/  
Chamfered Ends

**0.65" DIA. HOLES**  
CHAMFERED ENDS

FIXED LENGTHS  
1.88" O.D. x 13 GA. TUBE

**MATERIAL:** STEEL TUBE  
**FINISH:** PRIMER

MODEL #:	FIXED LENGTH:	WEIGHT:	SUB FOR HOLLAND #:
<b>1006-1966</b>	21"	3.41 LBS	— n/a —
<b>1006-1967</b>	24"	3.8 LBS	LG0646-2400-P
<b>1006-1968</b>	27"	4.2 LBS	LG0646-2700-P
<b>1006-1969</b>	32-7/8"	4.7 LBS	LG0646-3300-P
<b>SPECIAL ORDER</b> <b>1006-1970</b>	42-1/4"	5.9 LBS	LG0646-4200-P
<b>SPECIAL ORDER</b> <b>1006-1960</b>	42-1/2"	6 LBS	LG0646-4300-P
<b>SPECIAL ORDER</b> <b>1006-1971</b>	48-1/4"	6.5 LBS	LG0646-4800-P
<b>1006-1961</b>	48-1/2"	6.6 LBS	— n/a —
<b>SPECIAL ORDER</b> <b>1006-1972</b>	55-3/16"	7.5 LBS	LG0646-5500-P
<b>1006-1996</b>	60-1/4"	7.8 LBS	LG0646-6000-P

**FIXED BRACE**  
Heavy Duty w/  
Chamfered Ends

**0.65" DIA. HOLES**  
CHAMFERED ENDS

24"  
FIXED LENGTH

**MATERIAL:** STEEL TUBE  
**FINISH:** PRIMER

2" O.D. x 0.2" WALL THICKNESS

**SPECIAL ORDER** **MODEL 1006-1973** | FIXED LENGTH 24" | 6.7 LBS

**FIXED BRACE**  
Heavy Duty

**0.65" DIA. HOLES**

40"  
FIXED LENGTH

**MATERIAL:** STEEL TUBE  
**FINISH:** PRIMER

2" O.D. x 0.2" WALL THICKNESS

**MODEL 1006-6496** | FIXED LENGTH 40" | 12.7 LBS | **SUB FOR:** PENZ 04-20-40

**MODEL 1006-6532**

**SUB FOR: TRAILMOBILE 6004-8-100A MATERIAL: 3/16" FAB. STEEL**  
**FINISH: HOT-DIP GALVANIZED (HDG) WEIGHT: 5.5 LBS / 2.5 Kg**

**MODEL 1006-6533**

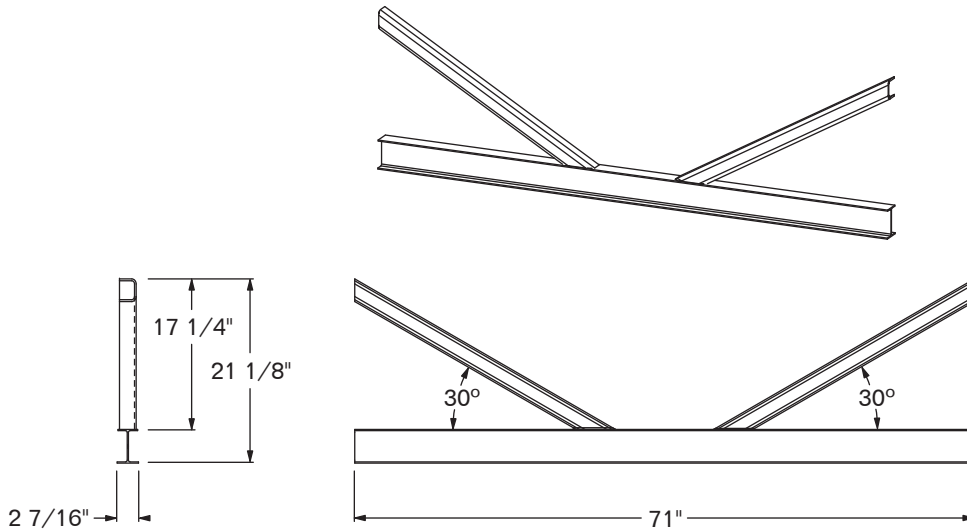
**SUB FOR: TRAILMOBILE 6004-8-100L MATERIAL: 3/16" FAB. STEEL**  
**FINISH: HOT-DIP GALVANIZED (HDG) WEIGHT: 5.5 LBS / 2.5 Kg**

**MODEL 1006-7601**

**SUB FOR: WABASH 13S00542 MATERIAL: 3/16" STEEL**  
**FINISH: SELF-COLOR WEIGHT: 4.5 LBS / 2.04 Kg**

**MODEL 1006-7599**

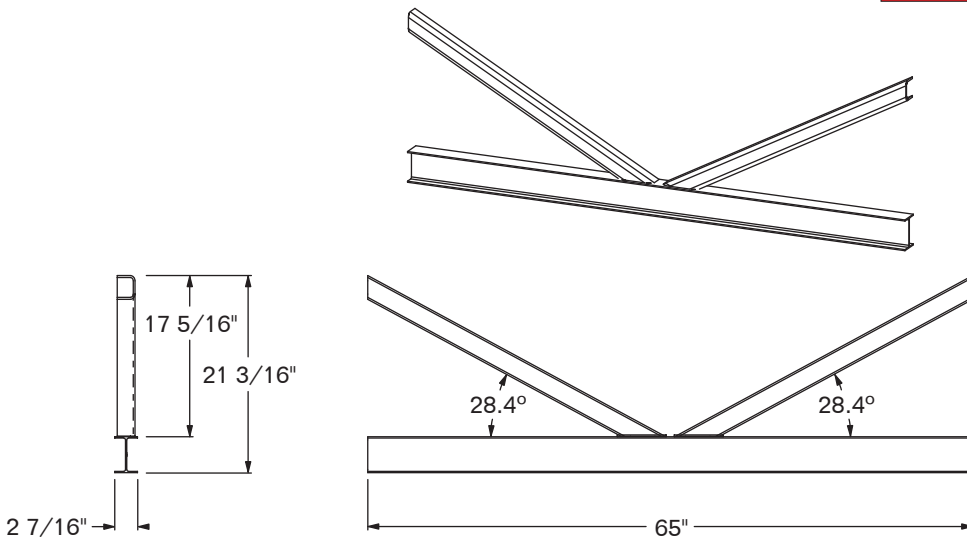
Universal, no Bracket



**SUB FOR:** WABASH 13000042  
**MATERIAL:** FAB STEEL **FINISH:** PRIMER  
**WEIGHT:** 60 LBS

**MODEL 1006-7600**

Universal, no Bracket

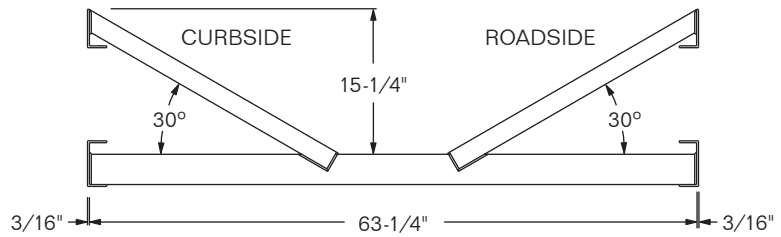
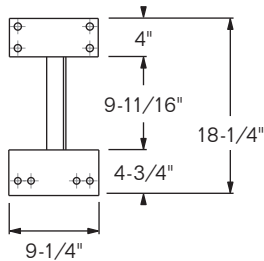
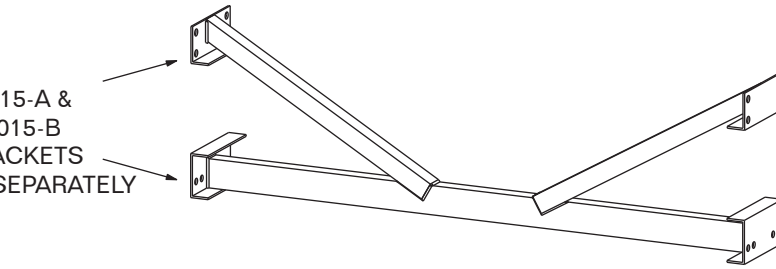


**SUB FOR:** HOLLAND 50618015, WABASH 13000065  
**MATERIAL:** FAB STEEL **FINISH:** PRIMER  
**WEIGHT:** 36 LBS

**MODEL 1006-2015**

w/ End Brackets

1008-2015-A &  
1008-2015-B  
END BRACKETS  
ALSO SOLD SEPARATELY

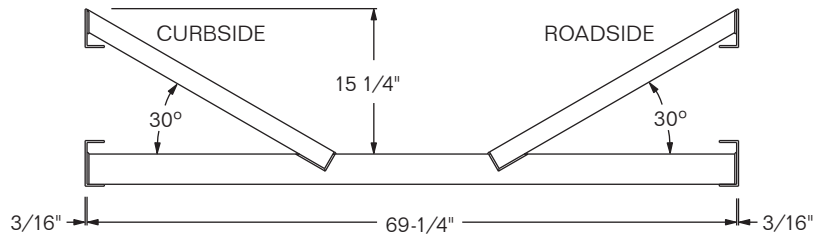
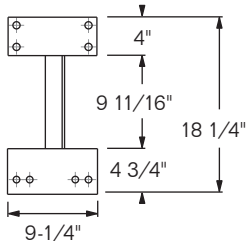
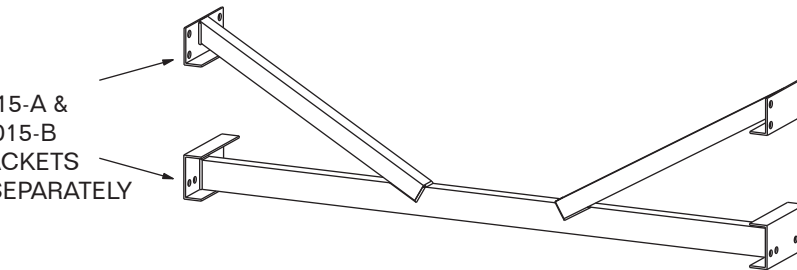


**SUB FOR:** PENZ 02-501-096 **MATERIAL:** FAB. STEEL  
**FINISH:** PRIMER **WEIGHT:** 55.8 LBS / 25.3 Kg

**MODEL 1006-2016**

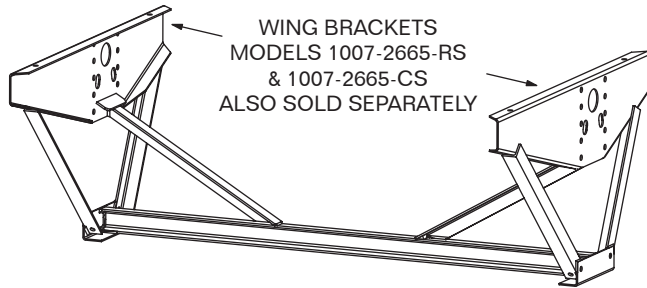
w/ End Brackets

1008-2015-A &  
1008-2015-B  
END BRACKETS  
ALSO SOLD SEPARATELY



**SUB FOR:** HOLLAND 50618015, PENZ 02-501-102  
**MATERIAL:** FAB. STEEL **FINISH:** PRIMER **WEIGHT:** 59 LBS / 26.75 Kg

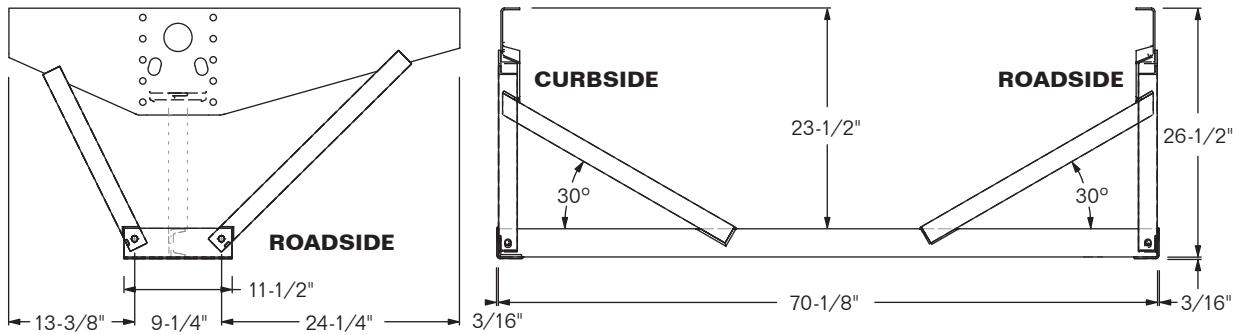




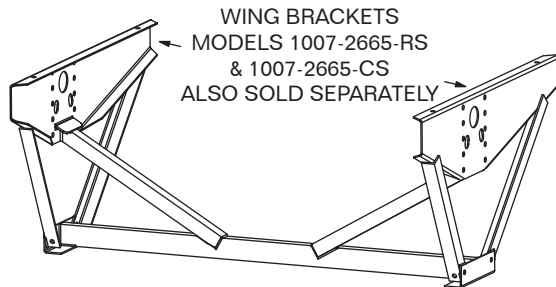
**MODEL 1006-2317**

**MODEL 1006-2317-US-KIT\***

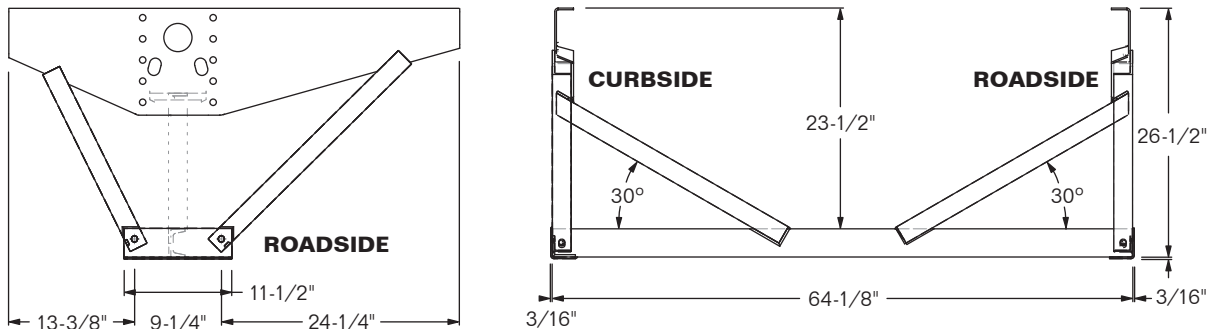
\*Made in the U.S.A



**SUB FOR:** GREAT DANE 31721, PENZ 02-500-102  
**MATERIAL:** 3/16" FAB. STEEL **FINISH:** PRIMER **WEIGHT:** 135.8 LBS / 61.6 Kg



**MODEL 1006-2318**



**SUB FOR:** GREAT DANE 31720, PENZ 02-500-096  
**MATERIAL:** 3/16" FAB. STEEL **FINISH:** PRIMER **WEIGHT:** 133.8 LBS / 60.7 Kg