

**MODEL 1004-1368**  
**SHIFT SHAFT, Universal Mount**

**FITS:** HOLLAND SERIES 50000, 51000, 4700  
**SUB FOR:** BINKLEY LG0261-01, PENZ 03-509  
**MATERIAL:** CARBON STEEL **FINISH:** SELF-COLOR  
**WEIGHT:** 4.3 LBS / 1.9 Kg

**MODEL 1004-1368-1**  
**SHIFT SHAFT Outside Mount**

**FITS:** HOLLAND 50000 (Std.) & 51000 (Std.) LEGS  
**SUB FOR:** HOLLAND LG0371-01  
**MATERIAL:** CARBON STEEL **FINISH:** SELF-COLOR  
**WEIGHT:** 2.1 LBS / 0.95 Kg

**MODEL 1004-1379**  
**SHIFT SHAFT, Universal Mount**

**FITS:** AUSTIN LIFT PAK (round & square), CONSTANT MESH  
**SUB FOR:** AUSTIN 6943-2, KYSOR-WESTRAN 750003, PENZ 03-501  
**MATERIAL:** CARBON STEEL **FINISH:** SELF-COLOR  
**WEIGHT:** 4.3 LBS / 1.9 Kg

**MODEL 1004-1383**  
**JACK SHAFT, Geared Leg (RH), Universal Mount**

**FITS:** HOLLAND CMS2, CMS3 (round & square), AUSTIN LIFT PAK  
**SUB FOR:** AUSTIN 6948-1, KYSOR-WESTRAN 750002, PENZ 03-500  
**MATERIAL:** CARBON STEEL **FINISH:** SELF-COLOR  
**WEIGHT:** 3.3 LBS / 1.5 Kg

**MODEL 1004-1729**  
**SHIFT SHAFT, Universal Mount**

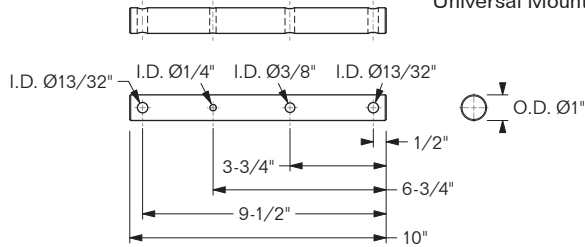
**FITS:** HOLLAND FORMULA 150 SERIES  
**SUB FOR:** HOLLAND XA-0662-A, PENZ 03-514  
**MATERIAL:** CARBON STEEL **FINISH:** SELF-COLOR  
**WEIGHT:** 3.3 LBS / 1.5 Kg

**MODEL 1004-1790**  
**JACK SHAFT, Geared Leg (RH), Universal Mount**

**FITS:** AUSTIN LIFT PAK (round & square), CONSTANT MESH (square)  
**SUB FOR:** AUSTIN 6943-5, PENZ 03-502  
**MATERIAL:** CARBON STEEL **FINISH:** SELF-COLOR  
**WEIGHT:** 2.27 LBS / 1.03 Kg

### MODEL 1004-2427

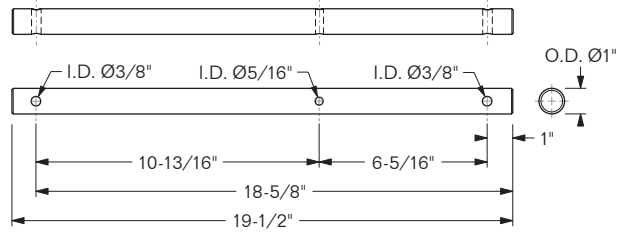
**JACK SHAFT**  
Non-Geared Leg (LH),  
Universal Mount



**FITS:** AUSTIN LIFT PAK (round & square), CONSTANT MESH (round & square)  
**SUB FOR:** AUSTIN 6956-1, KYSOR-WESTRAN 750004, PENZ 03-511  
**MATERIAL:** CARBON STEEL **FINISH:** SELF-COLOR  
**WEIGHT:** 2.1 LBS / 0.9 Kg

### MODEL 1004-2631

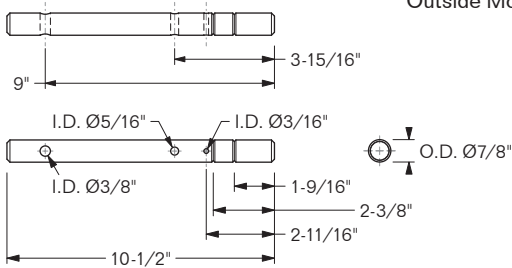
**SHIFT SHAFT**  
Universal & Inside Mount



**FITS:** AUSTIN CONSTANT MESH (round),  
HOLLAND CMS2 (round and square) & CMS3  
**SUB FOR:** KYSOR-WESTRAN 751175, PENZ 03-512  
**MATERIAL:** CARBON STEEL **FINISH:** SELF-COLOR  
**WEIGHT:** 4.4 LBS / 2 Kg

### MODEL 1004-6525

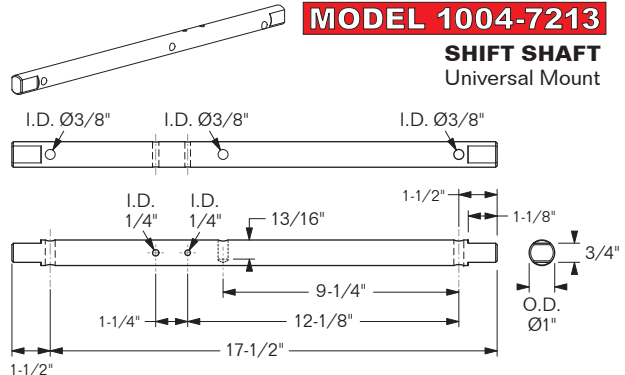
**SHIFT SHAFT**  
Outside Mount



**FITS:** HOLLAND FORMULA 150 SERIES  
**SUB FOR:** HOLLAND XA-06226-C-402, PENZ 03-517  
**MATERIAL:** CARBON STEEL **FINISH:** SELF-COLOR  
**WEIGHT:** 2.1 LBS / 0.9 Kg

### MODEL 1004-7213

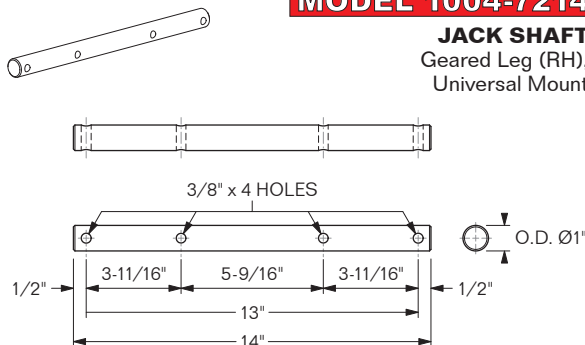
**SHIFT SHAFT**  
Universal Mount



**FITS:** HOLLAND MARK V & MARK V HEAVY-DUTY (after 5/1994) LEGS  
**SUB FOR:** HOLLAND XA-V-06625-A **MATERIAL:** STEEL  
**FINISH:** MACHINED & LIGHTLY OILED **WEIGHT:** 4.02 LBS / 1.82 Kg

### MODEL 1004-7214

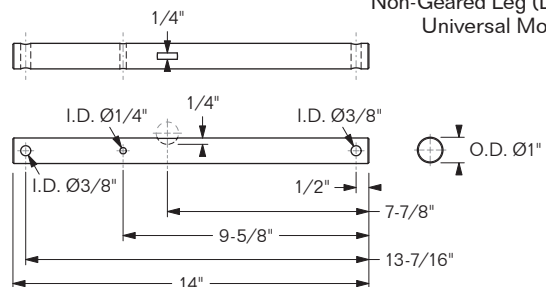
**JACK SHAFT**  
Geared Leg (RH),  
Universal Mount



**FITS:** HOLLAND MARK V & MARK V HEAVY-DUTY (after 5/1994) LEGS  
**SUB FOR:** HOLLAND XA-V-06624-A **MATERIAL:** STEEL  
**FINISH:** MACHINED & LIGHTLY OILED **WEIGHT:** 2.97 LBS / 1.35 Kg

### MODEL 1004-8903

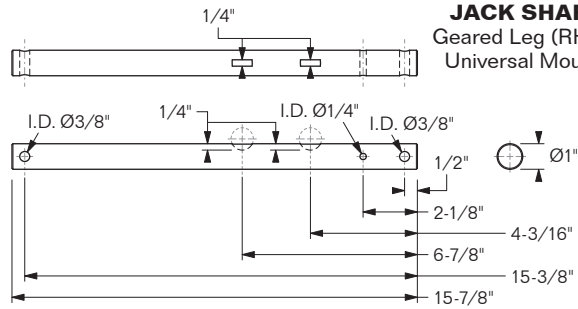
**JACK SHAFT**  
Non-Geared Leg (LH),  
Universal Mount



**FITS:** HOLLAND 50000 (Std./No Lube) LEGS  
**SUB FOR:** HOLLAND LG0259 **MATERIAL:** STEEL  
**FINISH:** SELF-COLOR **WEIGHT:** 3.1 LBS / 1.4 Kg

### MODEL 1004-8909

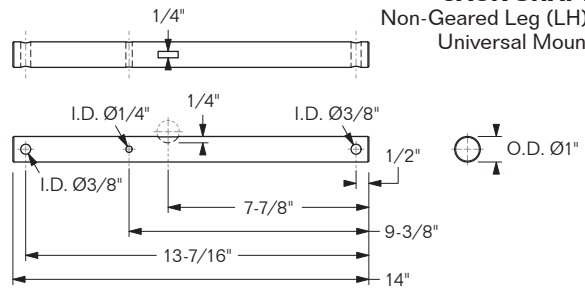
**JACK SHAFT**  
Geared Leg (RH),  
Universal Mount



**FITS:** HOLLAND 51000 (Std./No Lube) & 4700/4701 (up to 09-2010) LEGS **SUB FOR:** HOLLAND LG0928  
**MATERIAL:** STEEL **FINISH:** SELF-COLOR  
**WEIGHT:** 3.3 LBS / 1.5 Kg

### MODEL 1004-8910

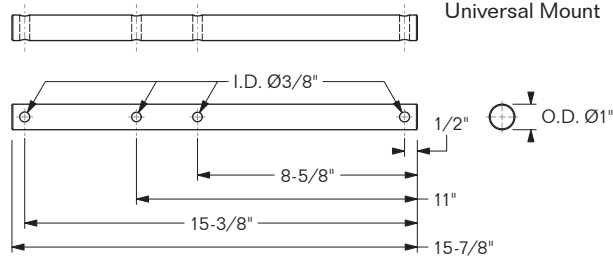
**JACK SHAFT**  
Non-Geared Leg (LH),  
Universal Mount



**FITS:** HOLLAND 51000 (Std./No Lube), FG4000 & 4700/4701 (up to 09-2010) LEGS **SUB FOR:** HOLLAND LG0927  
**MATERIAL:** STEEL **FINISH:** SELF-COLOR  
**WEIGHT:** 3.1 LBS / 1.4 Kg

### MODEL 1004-8911

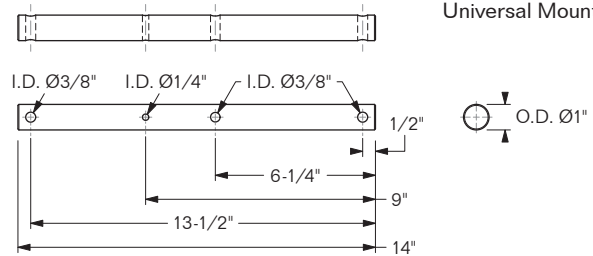
**JACK SHAFT**  
Geared Leg (RH),  
Universal Mount



**FITS:** HOLLAND ATLAS 55 (Std./No Lube) & 4700/4701 (up to 09-2010) LEGS **SUB FOR:** HOLLAND LG2963-01  
**MATERIAL:** STEEL **FINISH:** SELF-COLOR  
**WEIGHT:** 3.3 LBS / 1.5 Kg

### MODEL 1004-8912

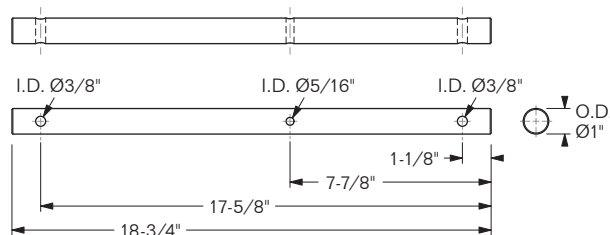
**JACK SHAFT**  
Non-Geared Leg (LH),  
Universal Mount



**FITS:** HOLLAND ATLAS 55 (Std./No Lube) & 4700/4701 (up to 09-2010) LEGS **SUB FOR:** HOLLAND LG2964-01  
**MATERIAL:** STEEL **FINISH:** SELF-COLOR  
**WEIGHT:** 3.1 LBS / 1.4 Kg

### MODEL 1004-8913

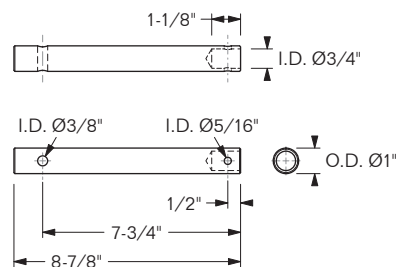
**SHIFT SHAFT**  
Universal Mount



**FITS:** HOLLAND ATLAS 55 (Std./No Lube) & ATLAS 65 (Std./No Lube) LEGS **SUB FOR:** HOLLAND 211100003400  
**MATERIAL:** STEEL **FINISH:** SELF-COLOR  
**WEIGHT:** 4 LBS / 1.8 Kg

### MODEL 1004-8918

**SHIFT SHAFT EXTENSION**  
Universal & Inside Mount



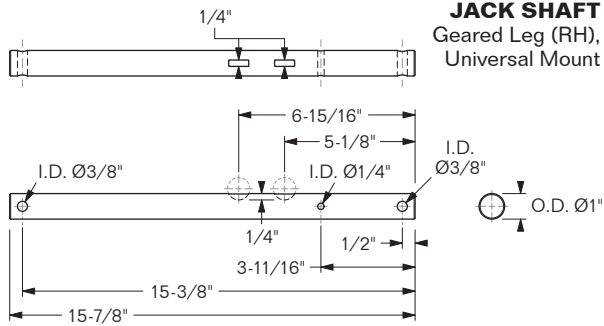
**FITS:** HOLLAND FG4000 (Std./No Lube) FAST GEAR LEGS  
**SUB FOR:** HOLLAND LG2462 **MATERIAL:** STEEL  
**FINISH:** SELF-COLOR **WEIGHT:** 1.8 LBS / 0.8 Kg



# LANDING LEG JACK SHAFT & SHIFT SHAFT GEAR ASSEMBLY

CHASSIS & TRAILERS:  
 AUTO / DRY VAN / FLATBED / REEFER VAN

## MODEL 1004-8920

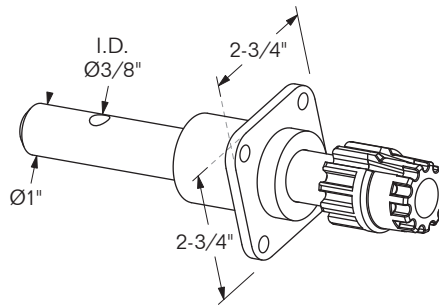


**JACK SHAFT**  
 Geared Leg (RH),  
 Universal Mount

**FITS:** HOLLAND FG4000 (Std./No Lube) FAST GEAR LEGS  
**SUB FOR:** HOLLAND LG2147 **MATERIAL:** STEEL  
**FINISH:** SELF-COLOR **WEIGHT:** 3.3 LBS / 1.5 Kg

## MODEL 1004-1753-KIT

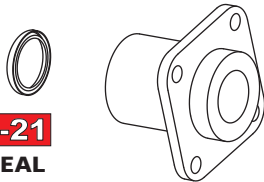
This **SHIFT SHAFT ASSEMBLY** contains  
 all parts shown in exploded view below:



**SUB FOR:** JOST B10285 SER  
**FITS:** JOST A-400, A-401, A-440 & A-441 LEGS  
**WEIGHT:** 3.23 LBS / 1.46 Kg

### MODEL 1004-1753-KIT PARTS BREAKDOWN

**MODEL 1004-1753-21**  
**GREASE SEAL**



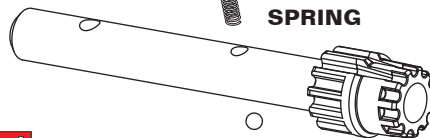
**MODEL 1004-1753-1**  
**HOUSING**

**WEIGHT:** 1.3 LBS / 0.6 Kg

### MODEL 1004-1753-8

**STEEL BALL**  
 (2 pcs. needed)

**MODEL 1004-1753-9**  
**SPRING**



**MODEL 1004-1753-2**

**SHAFT**

**WEIGHT:** 2.1 LBS / 0.9 Kg

**BUFFERS USA INC**

"The Intermodal Hardware Specialists"

1004-4



**904-696-0010**

E-mail: [sales@buffersusa.com](mailto:sales@buffersusa.com)



# LANDING LEG INTERNAL HARDWARE

CHASSIS & TRAILERS:  
AUTO / DRY VAN / FLATBED / REEFER VAN

**MODEL 1004-6522**  
**SHAFT AXLE BEARING**

I.D. 7/8"  
Ø22.4 MM

1"  
25.4 MM

O.D. 1-1/2" / Ø38 MM

**SUB FOR:** HOLLAND XB-0308-PM  
**FITS:** HOLLAND 135 & 150 LEGS  
**MATERIAL:** STEEL **FINISH:** SELF-COLOR  
**WEIGHT:** 0.16 LBS / 0.07 Kg

**MODEL 1110-6523**  
**SPLIT ROLL PIN**

O.D. 3/16"  
Ø4.8 MM

1"  
25.4 MM

**SUB FOR:** HOLLAND XB-21-S-187-1000  
**FITS:** HOLLAND 135 & 150 LEGS  
**MATERIAL:** CARBON STEEL  
**WEIGHT:** 0.006 LBS / 0.003 Kg

**MODEL 1004-6524-125**  
**STOP PIN**

1-1/4"  
31.8 MM

O.D. 5/16" / Ø7.9 MM

**SUB FOR:** HOLLAND XA-01792 **FITS:** HOLLAND 150 LEG  
**MATERIAL:** SOLID STEEL **FINISH:** SELF-COLOR  
**WEIGHT:** 0.03 LBS / 0.01 Kg

**MODEL 1004-6524-200**  
**STOP PIN**

2"  
50.8 MM

O.D. 5/16" / Ø7.9 MM

**SUB FOR:** HOLLAND XA-CRP-V-06635  
**FITS:** HOLLAND ATLAS 55 & 65 LEGS  
**MATERIAL:** SOLID STEEL **FINISH:** SELF-COLOR  
**WEIGHT:** 0.06 LBS / 0.02 Kg

