



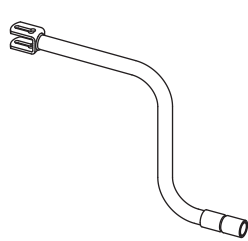
CRANK HANDLES

HORIZONTAL FOLDING TYPE

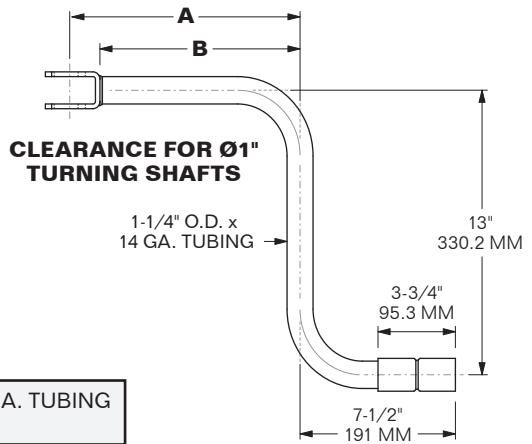
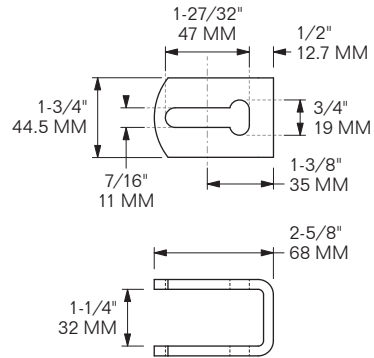
CHASSIS & TRAILERS:
 AUTO / DRY VAN / FLATBED / REEFER VAN

- MODEL 1003-1695**
- MODEL 1003-1296**
- MODEL 1003-6497**
- MODEL 1003-1297**
- MODEL 1003-1298**

A, TRADE SIZE	B	SUB FOR HOLLAND	SUB FOR PENZ	WEIGHT
7" / 178 MM	5-7/8" / 149 MM	—	03-207-H	2.75 LBS / 1.25 Kg
11" / 279 MM	9-5/8" / 244 MM	—	03-211-H	3.28 LBS / 1.49 Kg
12-1/4" / 310 MM	11" / 279 MM	50644047	03-212-H	3.2 LBS / 1.45 Kg
15" / 381 MM	14-1/2" / 368 MM	50644048	03-215-H	3.57 LBS / 1.62 Kg
21" / 533 MM	19-5/8" / 498 MM	50644049	03-221-H	3.82 LBS / 1.73 Kg



I.D. 1-1/32"
 Ø26 MM



MATERIAL: 1-1/4" O.D. x 14 GA. TUBING
FINISH: PRIMER





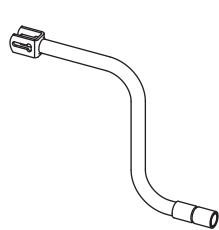
CRANK HANDLES

VERTICAL FOLDING TYPE

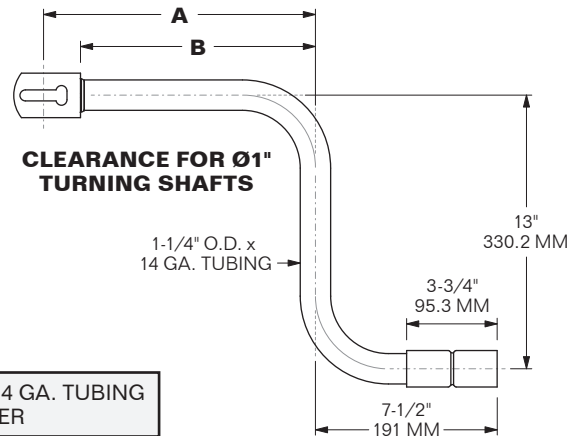
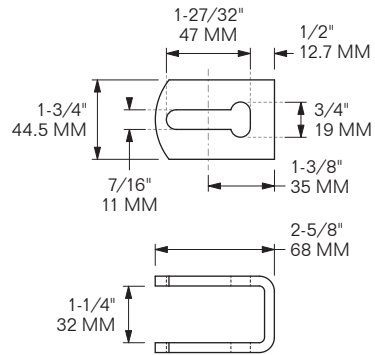
CHASSIS & TRAILERS:
 AUTO / DRY VAN / FLATBED / REEFER VAN

- MODEL 1003-1664**
- MODEL 1003-1764**
- MODEL 1003-1365**
- MODEL 1003-1366**
- MODEL 1003-1367**

A, TRADE SIZE	B	SUB FOR HOLLAND	SUB FOR PENZ	WEIGHT
7" / 178 MM	9-7/8" / 251 MM	—	03-207-V	2.75 LBS / 1.25 Kg
9" / 229 MM	12-3/8" / 314 MM	—	03-209-V	2.9 LBS / 1.32 Kg
11" / 279 MM	15-1/4" / 387 MM	50644050	03-211-V	3.3 LBS / 1.49 Kg
15" / 381 MM	17-3/4" / 451 MM	50644051	03-215-V	3.39 LBS / 1.54 Kg
21" / 533 MM	19-3/4" / 502 MM	50644052	03-221-V	4.01 LBS / 1.82 Kg



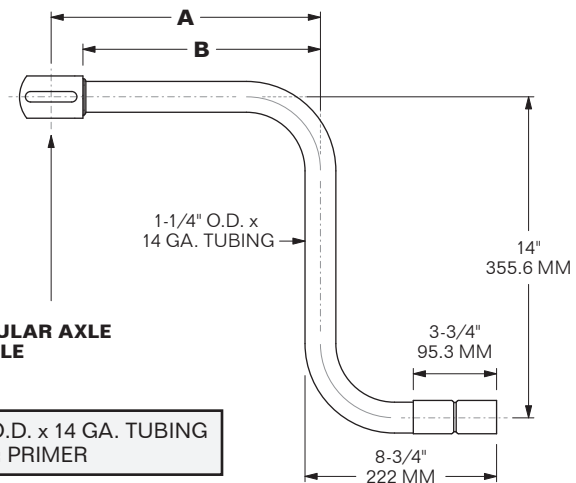
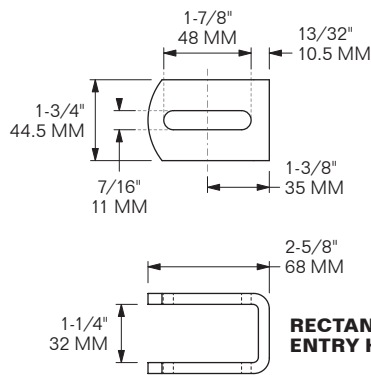
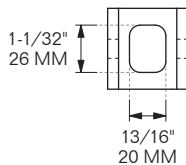
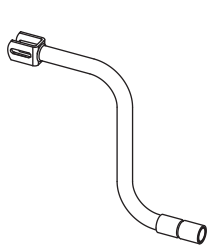
I.D. 1-1/32"
 Ø26 MM



MATERIAL: 1-1/4" O.D. x 14 GA. TUBING
FINISH: PRIMER

- MODEL 1003-6857**
- MODEL 1003-6858**
- MODEL 1003-6859**
- MODEL 1003-6863**
- MODEL 1003-6430**

A	B	SUB FOR HOLLAND	SUB FOR JOST	WEIGHT
9-7/8" / 251 MM	8-1/2" / 216 MM	XA-V-90-0	C10592.2	3.6 LBS / 1.63 Kg
12-3/8" / 314 MM	11" / 279 MM	XA-V-90-2	C10592.3	3.8 LBS / 1.72 Kg
15-1/4" / 387 MM	13-7/8" / 352 MM	XA-V-90-5	C10592.5	4.04 LBS / 1.83 Kg
17-3/4" / 451 MM	16-3/8" / 416 MM	XA-V-90-10	C10592.4	3.82 LBS / 1.73 Kg
19-3/4" / 502 MM	18-3/8" / 467 MM	XA-V-90-11	—	4.4 LBS / 2 Kg



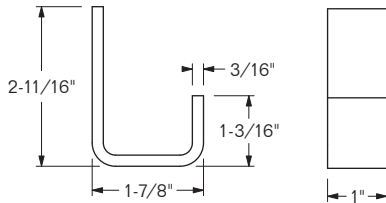
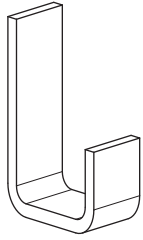
MATERIAL: 1-1/4" O.D. x 14 GA. TUBING
FINISH: PRIMER



CRANK HANDLE KEEPERS

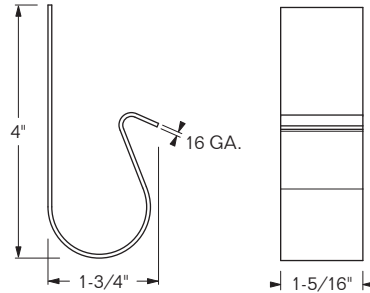
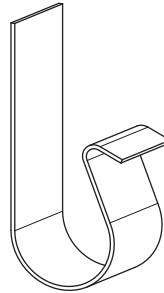
CHASSIS & TRAILERS:
 AUTO / DRY VAN / FLATBED / REEFER VAN

MODEL 1003-1406



SUB FOR: PENZ 03-403, HOLLAND 750812
MATERIAL: FAB. STEEL **FINISH:** PRIMER
WEIGHT: 0.31 LBS / 0.14 Kg

MODEL 1003-1789



SUB FOR: PENZ 03-400, 03-401;
 HOLLAND 50618000, RK-V-06388, XB-LG0085
MATERIAL: SPRING STEEL **FINISH:** PRIMER
WEIGHT: 0.21 LBS / 0.1 Kg