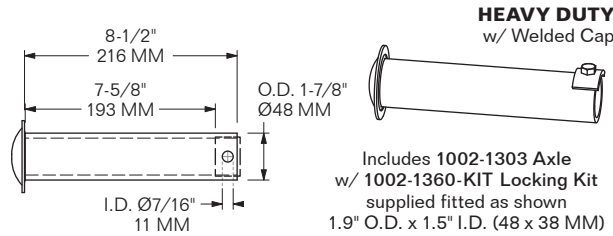




# SAND SHOE AXLES & LOCKING KITS

CHASSIS & TRAILERS:  
 AUTO / DRY VAN / FLATBED / REEFER VAN

## MODEL 1002-1303-KIT-F

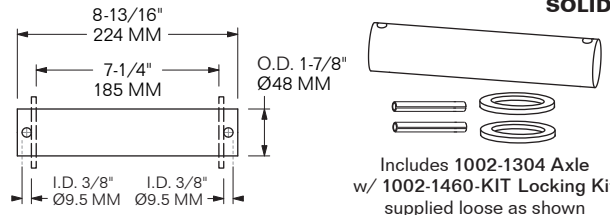


**HEAVY DUTY**  
w/ Welded Cap

Includes 1002-1303 Axle  
w/ 1002-1360-KIT Locking Kit  
supplied fitted as shown  
1.9" O.D. x 1.5" I.D. (48 x 38 MM)

**SUB FOR:** HOLLAND 50616040, PENZ 06-411 **MATERIAL:** 1-1/2" SCH 80 TUBE **FINISH:** PRIMER **WEIGHT:** 2.9 LBS / 1.32 Kg

## MODEL 1002-1304-KIT

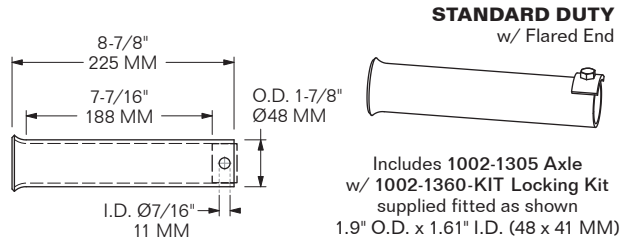


**SOLID**

Includes 1002-1304 Axle  
w/ 1002-1460-KIT Locking Kit  
supplied loose as shown

**SUB FOR:** HOLLAND LG0204-04 (Axle) & 50616041 (Axle Kit),  
PENZ 06-431 **MATERIAL:** 1-7/8" SOLID STEEL  
**FINISH:** PRIMER **WEIGHT:** 6.88 LBS / 3.12 Kg

## MODEL 1002-1305-KIT-F

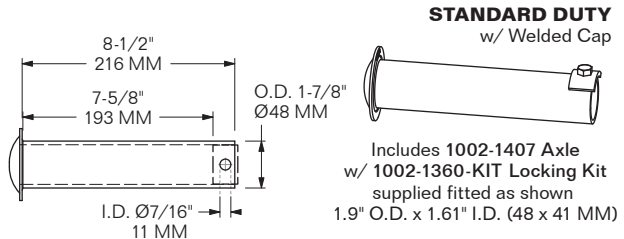


**STANDARD DUTY**  
w/ Flared End

Includes 1002-1305 Axle  
w/ 1002-1360-KIT Locking Kit  
supplied fitted as shown  
1.9" O.D. x 1.61" I.D. (48 x 41 MM)

**SUB FOR:** PENZ 06-404 **MATERIAL:** 1-1/2" SCH 40 TUBE  
**FINISH:** PRIMER **WEIGHT:** 2.03 LBS / 0.92 Kg

## MODEL 1002-1407-KIT-F

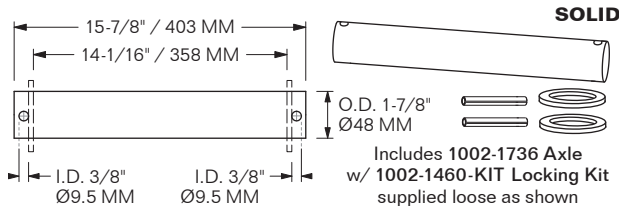


**STANDARD DUTY**  
w/ Welded Cap

Includes 1002-1407 Axle  
w/ 1002-1360-KIT Locking Kit  
supplied fitted as shown  
1.9" O.D. x 1.61" I.D. (48 x 41 MM)

**SUB FOR:** HOLLAND 50616043, PENZ 06-410 **MATERIAL:** 1-1/2" SCH 40 TUBE **FINISH:** PRIMER **WEIGHT:** 2.12 LBS / 0.96 Kg

## SPECIAL ORDER MODEL 1002-1736-KIT

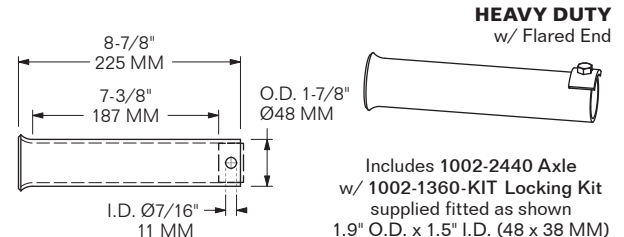


**SOLID**

Includes 1002-1736 Axle  
w/ 1002-1460-KIT Locking Kit  
supplied loose as shown

**SUB FOR:** HOLLAND LG0204-01, PENZ 06-430  
**WORKS WITH:** 1001-1791 DOLLY WHEEL & 1001-1737  
DOLLY WHEEL FOOT **MATERIAL:** 1-7/8" SOLID STEEL  
**FINISH:** PRIMER **WEIGHT:** 13.1 LBS / 5.94 Kg

## MODEL 1002-2440-KIT-F

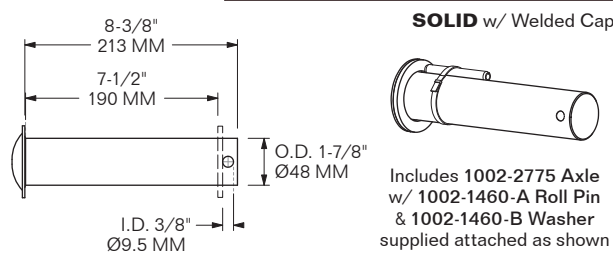


**HEAVY DUTY**  
w/ Flared End

Includes 1002-2440 Axle  
w/ 1002-1360-KIT Locking Kit  
supplied fitted as shown  
1.9" O.D. x 1.5" I.D. (48 x 38 MM)

**SUB FOR:** HOLLAND 50616042, PENZ 06-405 **MATERIAL:** 1-1/2" SCH 80 TUBE **FINISH:** PRIMER **WEIGHT:** 2.7 LBS / 1.22 Kg

## MODEL 1002-2775-KIT-P

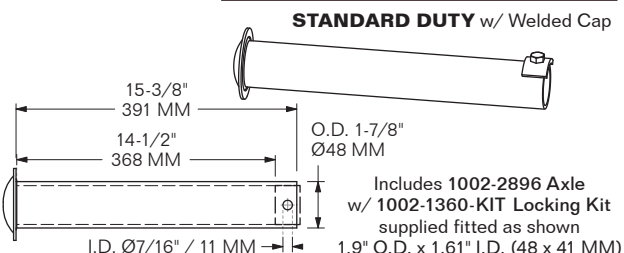


**SOLID w/ Welded Cap**

Includes 1002-2775 Axle  
w/ 1002-1460-A Roll Pin  
& 1002-1460-B Washer  
supplied attached as shown

**SUB FOR:** PENZ 06-441 **MATERIAL:** 1-7/8" SOLID STEEL  
**FINISH:** PRIMER **WEIGHT:** 6.95 LBS / 3.15 Kg

## SPECIAL ORDER MODEL 1002-2896-KIT-F



**STANDARD DUTY w/ Welded Cap**

Includes 1002-2896 Axle  
w/ 1002-1360-KIT Locking Kit  
supplied fitted as shown  
1.9" O.D. x 1.61" I.D. (48 x 41 MM)

**SUB FOR:** PENZ 06-420 **MATERIAL:** 1-1/2" SCH 40 TUBE  
**FINISH:** PRIMER **WEIGHT:** 3.6 LBS / 1.63 Kg

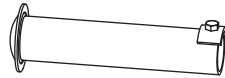
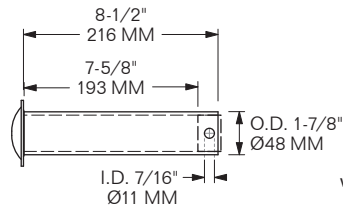


# SAND SHOE AXLES & LOCKING KITS

CHASSIS & TRAILERS:  
AUTO / DRY VAN / FLATBED / REEFER VAN

## MODEL 1002-6478-KIT-F

**EXTRA HEAVY DUTY**  
w/ Welded Cap

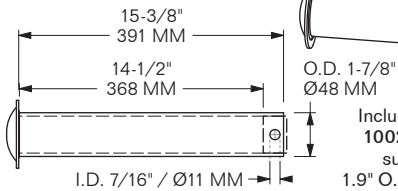


Includes 1002-6478 Axle  
w/ 1002-1360-KIT Locking Kit  
supplied fitted as shown  
1.9" O.D. x 1.34" I.D. (48 x 34 MM)

**SUB FOR:** HOLLAND 50616044, PENZ 06-425 **MATERIAL:**  
1-1/2" SCH 160 TUBE **FINISH:** PRIMER **WEIGHT:** 3.8 LBS / 1.72 Kg

## SPECIAL ORDER MODEL 1002-6479-KIT-F

**HEAVY DUTY** w/ Welded Cap

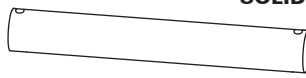
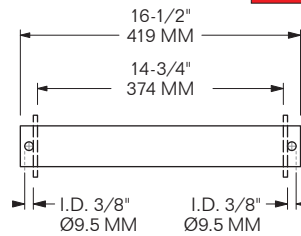


Includes 1002-6479 Axle w/  
1002-1360-KIT Locking Kit  
supplied fitted as shown  
1.9" O.D. x 1.5" I.D. (48 x 38 MM)

**SUB FOR:** PENZ 06-421 **WORKS WITH:** 1001-1791 DOLLY WHEEL  
& 1001-1737 DOLLY WHEEL FOOT **MATERIAL:** 1-1/2" SCH 80 TUBE  
**FINISH:** PRIMER **WEIGHT:** 4.6 LBS / 2.09 Kg

## MODEL 1002-6491-KIT

**SOLID**



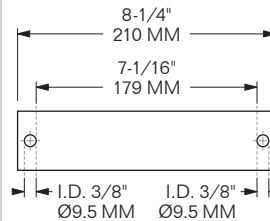
Includes 1002-6498 Axle  
w/ 1002-1460-KIT Locking Kit  
supplied loose as shown

**SUB FOR:** HOLLAND LG0204-05, PENZ 06-432 **WORKS WITH:**  
1001-1791 DOLLY WHEEL & 1001-1737 DOLLY WHEEL FOOT  
**MAT.:** 1-7/8" SOLID STEEL **FIN.:** PRIMER **WT.:** 13.7 LBS / 6.2 Kg

**NOTE:** Too short  
to fit spacer washers

## MODEL 1002-6821-KIT

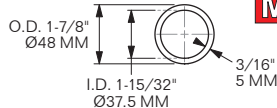
**SOLID**



Includes 1002-6821 Axle w/  
2 ea. 1002-1460-A Split Roll Pin  
supplied loose as shown

**SUB FOR:** HOLLAND XA-V-1903-1 **MATERIAL:** 1-7/8" SOLID STEEL  
**FINISH:** PRIMER **WEIGHT:** 6.4 LBS / 2.9 Kg

## MODEL 1002-6862-KIT



Includes 1002-6862 Axle w/  
2 ea. 1002-1460-A Split Roll Pin  
supplied loose as shown

**SUB FOR:** HOLLAND LG0070-02 **MATERIAL:** ASTM A36  
SEAMLESS TUBING **FINISH:** SHOTBLASTED & DIPPED  
IN BLACK PRIMER **WEIGHT:** 2.49 LBS / 1.13 Kg

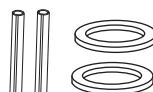
### LOCKING KITS



#### MODEL 1002-1360-KIT

**LOCKING KIT** includes 1 ea.  
Clip, 1 ea. Hex Bolt, 1 ea. Lock Nut

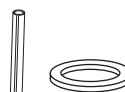
**SUB FOR:** PENZ 06-422-A,  
PENZ 06-422-B  
**WEIGHT:** 0.11 LBS / 0.5 Kg



#### MODEL 1002-1460-KIT

**LOCKING KIT** includes 2 ea.  
Spacer Washer, 2 ea. Split Roll Pin

**SUB FOR:** PENZ 06-400-B,  
PENZ 06-400-C  
**WEIGHT:** 0.44 LBS / 0.19 Kg



#### MODEL 1002-1660-KIT

**LOCKING KIT** includes 1 ea.  
Spacer Washer, 1 ea. Split Roll Pin

**SUB FOR:** PENZ 06-400-B,  
PENZ 06-400-C  
**WEIGHT:** 0.22 LBS / 0.1 Kg



#### MODEL 1002-1460-A

**SPLIT ROLL PIN**



#### MODEL 1002-1460-B

**SPACER WASHER**  
1.9" O.D. x 1.54" I.D. x 9/64" thick  
(48 MM x 39 MM x 3.5 MM)

**BUFFERS USA INC**

"The Intermodal Hardware Specialists"

1002-2



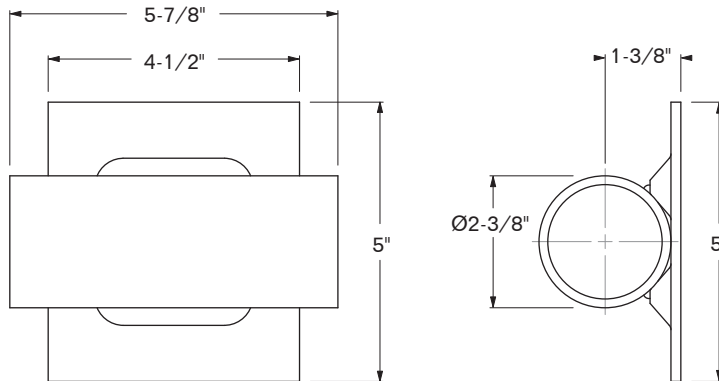
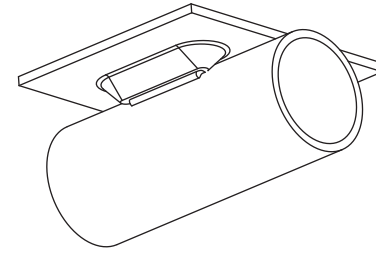
**904-696-0010**

E-mail: sales@buffersusa.com

# AXLE HOUSINGS

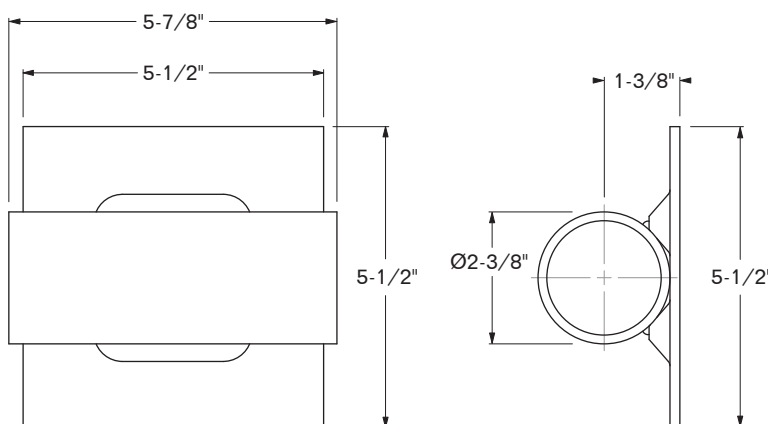
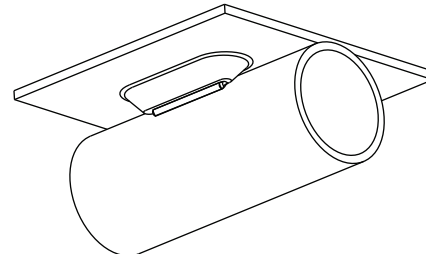
CHASSIS & TRAILERS:  
 AUTO / DRY VAN / FLATBED / REEFER VAN

**MODEL 1002-1294**

**SUB FOR:** HOLLAND 50616027,  
 PENZ 06-345  
**MATERIAL:** FAB. STEEL  
**FINISH:** PRIMER  
**WEIGHT:** 3.09 LBS / 1.4 Kg

**MODEL 1002-7828**

**MATERIAL:** FAB. STEEL  
**FINISH:** PRIMER  
**WEIGHT:** 3.47 LBS / 1.57 Kg

