

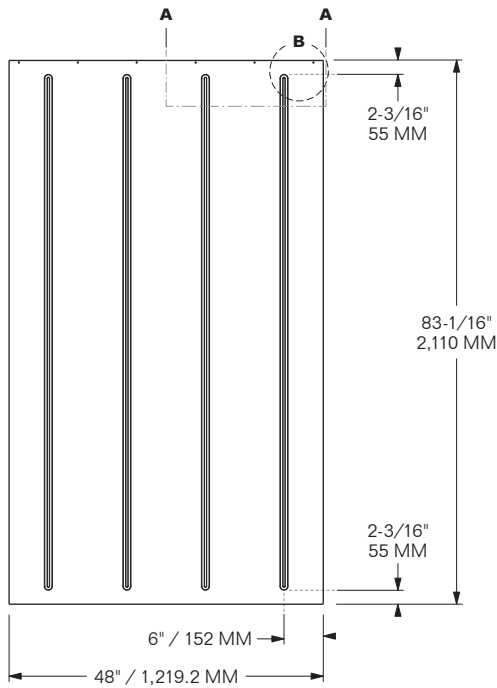


CONTAINER SIDE PANEL

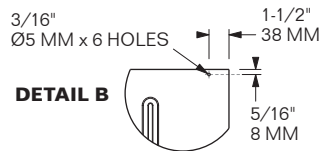
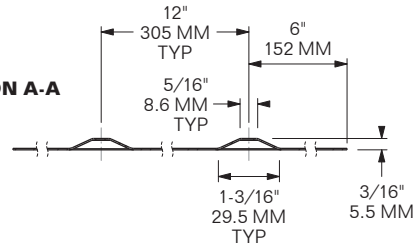
STAINLESS STEEL (INNER), 4-RIB
REEFER CONTAINERS

MODEL 1211-6447

INNER SIDE PANEL
Stainless Steel, 4-Rib,
Low-Profile (5.5 mm)



SECTION A-A

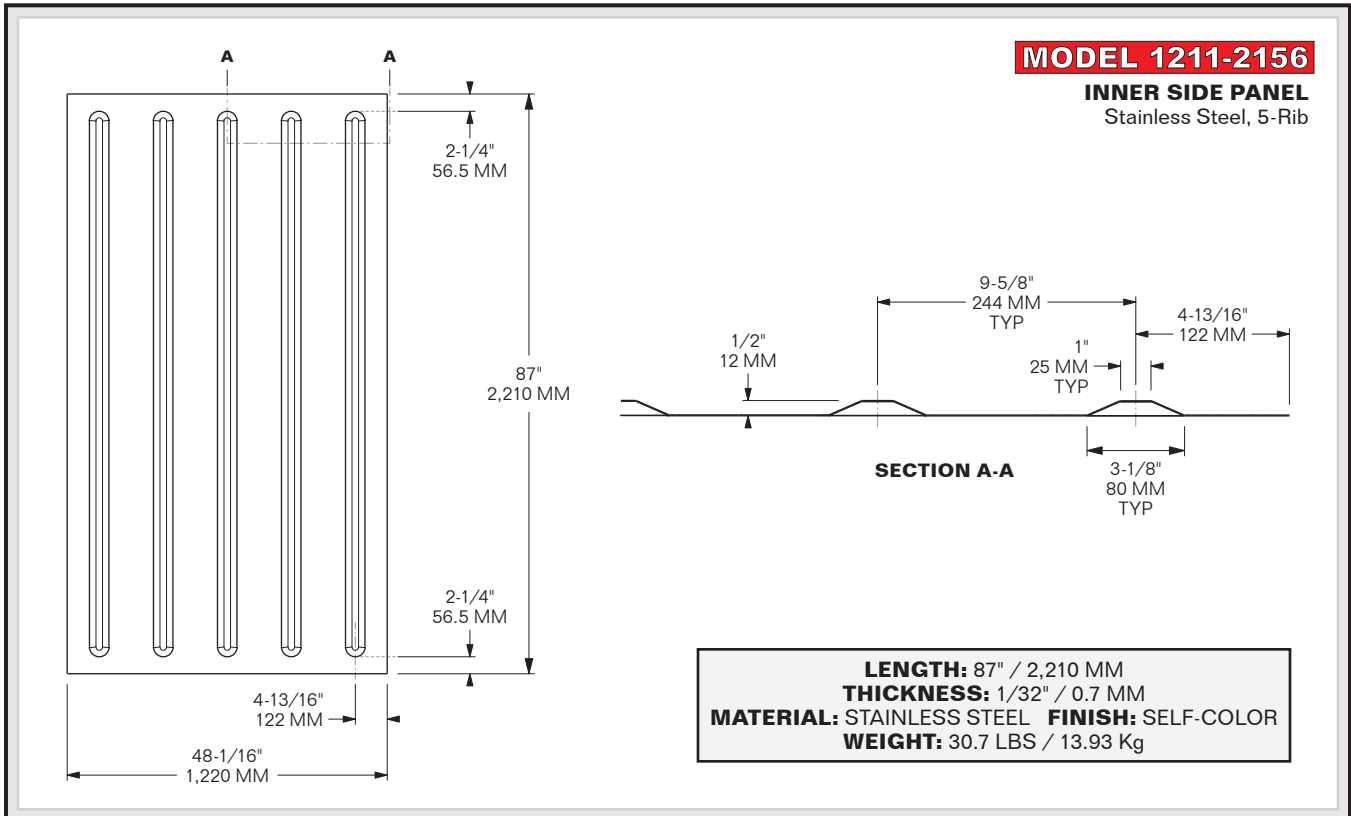


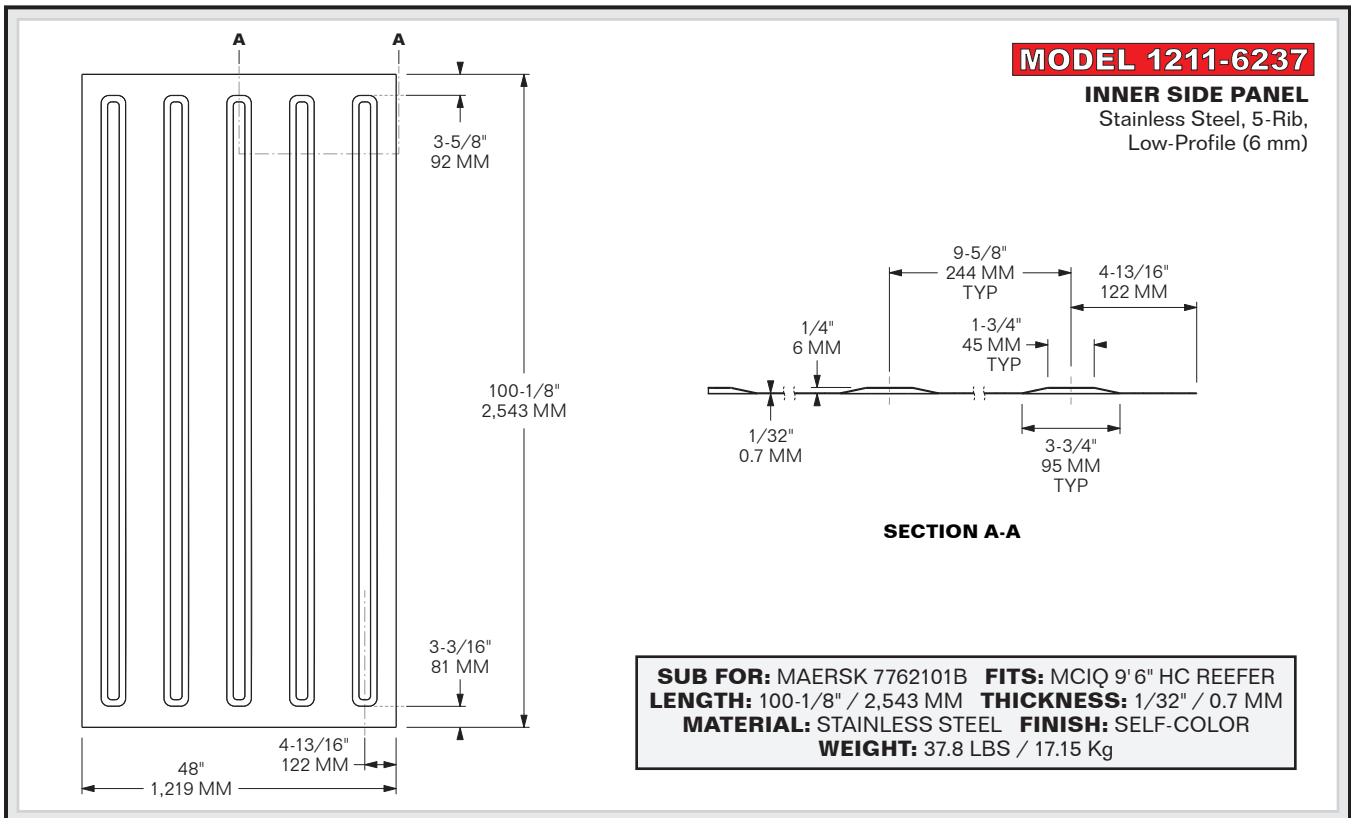
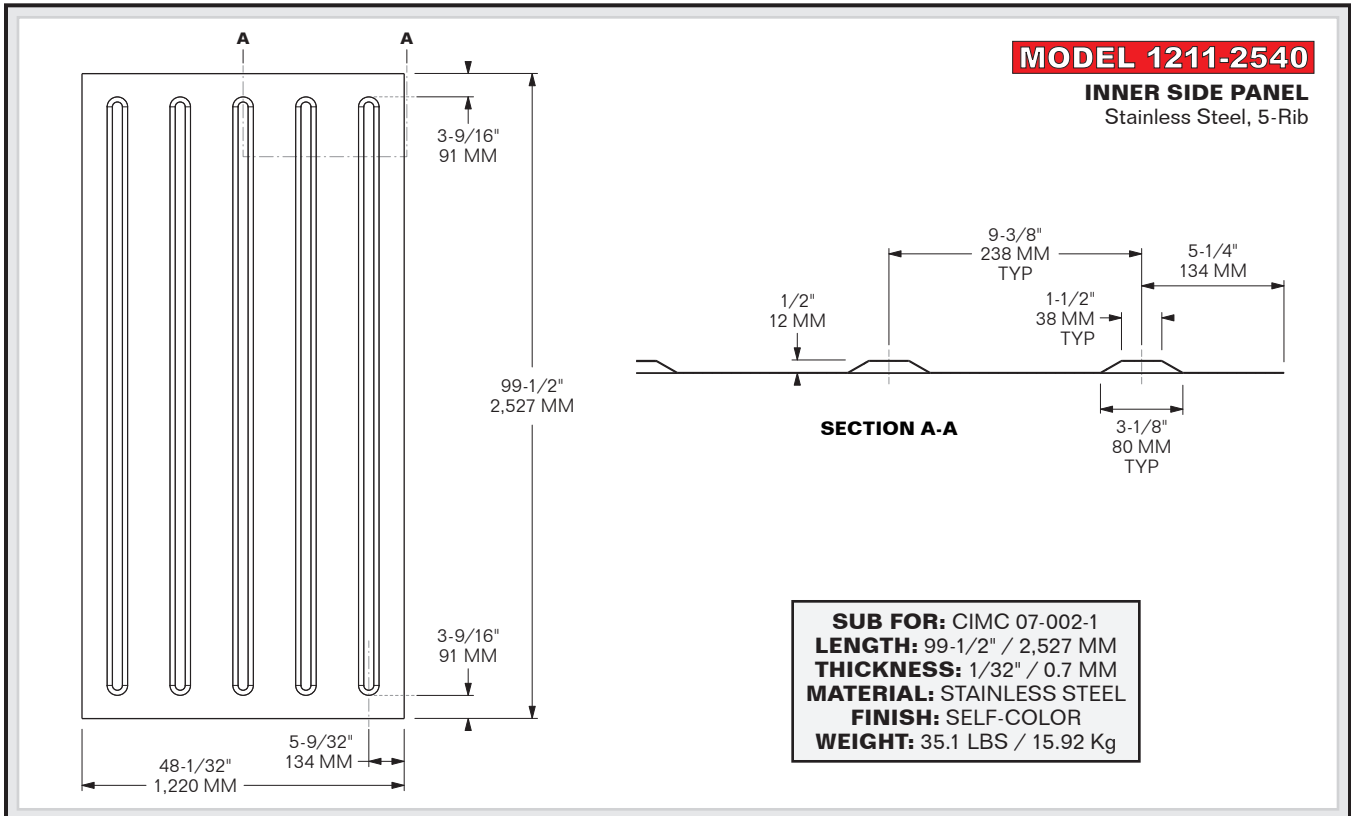
SUB FOR: MAERSK 7762235, 7762204, 7762234
FITS: MCIQ REEFER **LENGTH:** 83-1/16" / 2,110 MM
THICKNESS: 1/32" / 0.7 MM
MATERIAL: STAINLESS STEEL **FINISH:** SELF-COLOR
WEIGHT: 34.4 LBS / 15.6 Kg

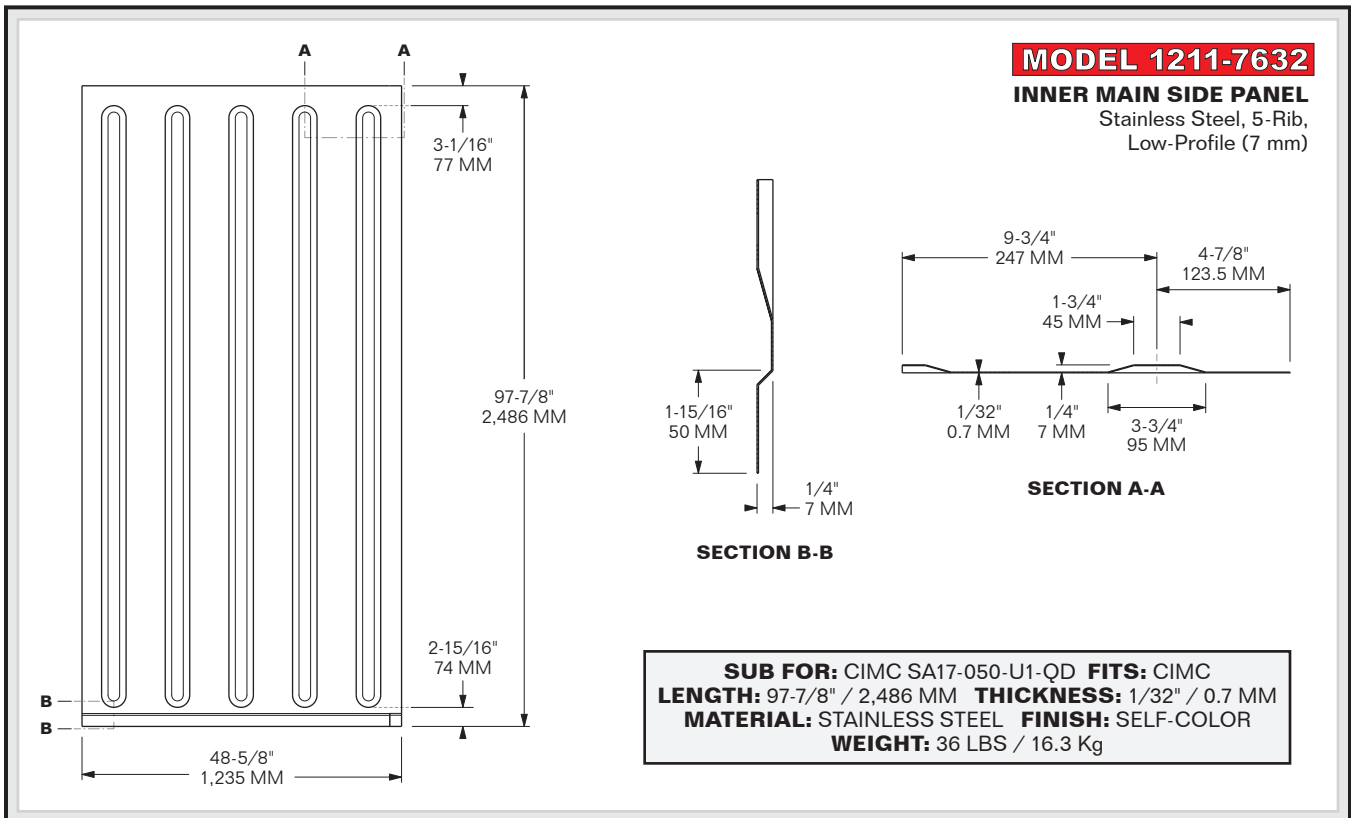
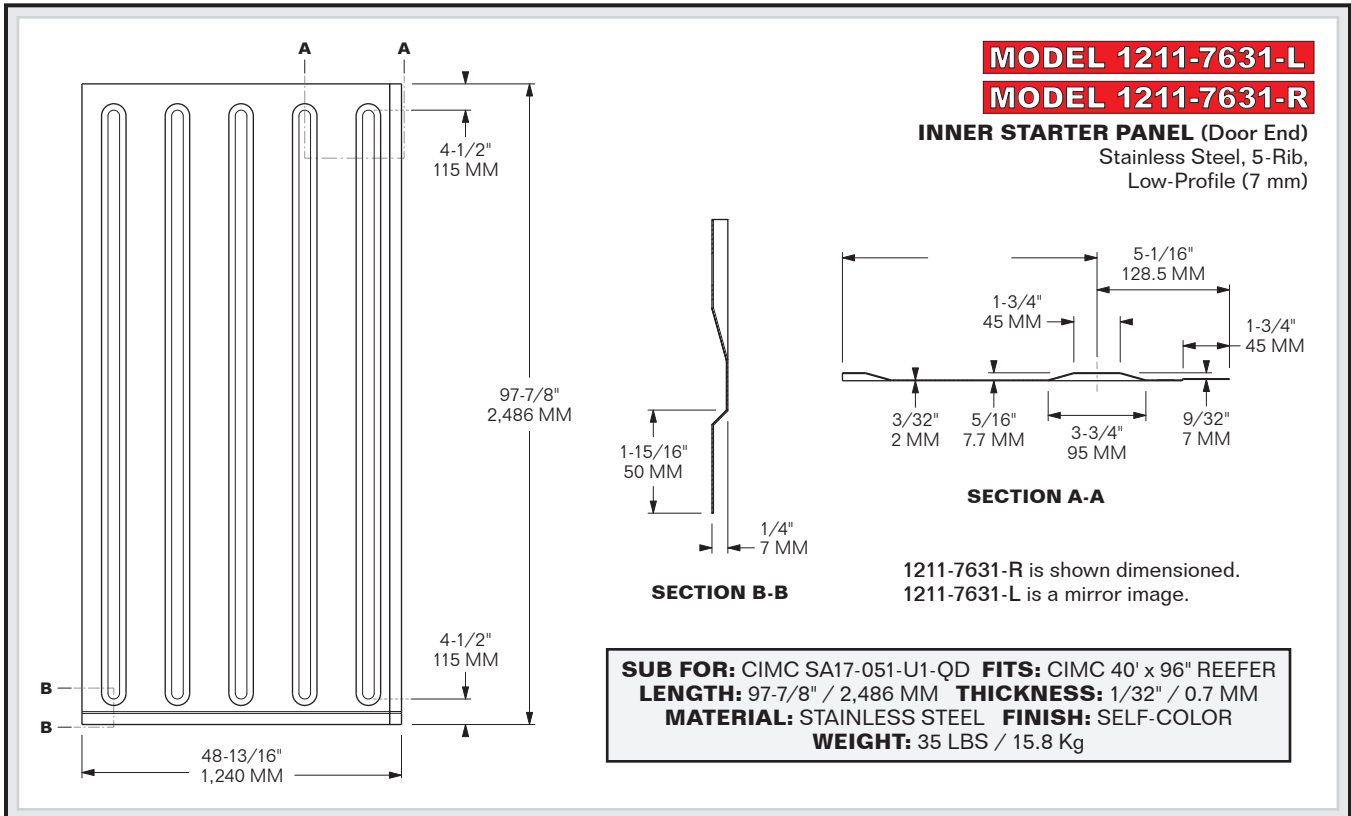


CONTAINER SIDE PANEL

STAINLESS STEEL (INNER), 5-RIB
REEFER CONTAINERS







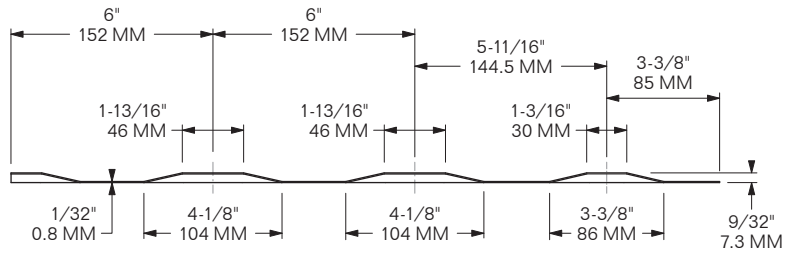
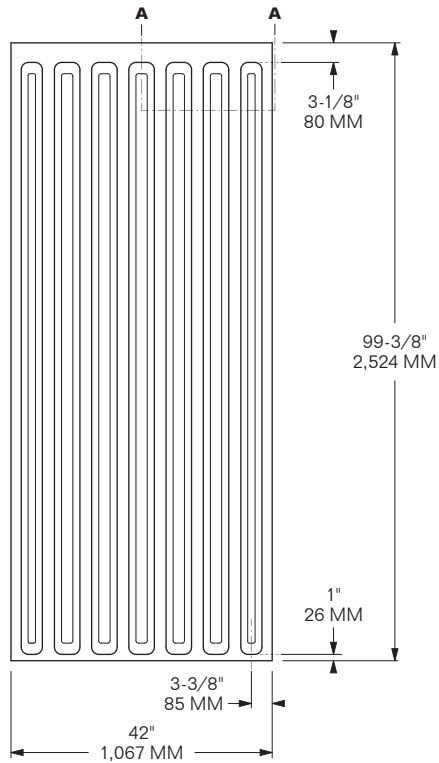


CONTAINER SIDE PANEL

STAINLESS STEEL (INNER), 7-RIB
REEFER CONTAINERS

MODEL 1211-2675

INNER SIDE PANEL
Stainless Steel, 7-Rib,
Low-Profile (7.3 mm)



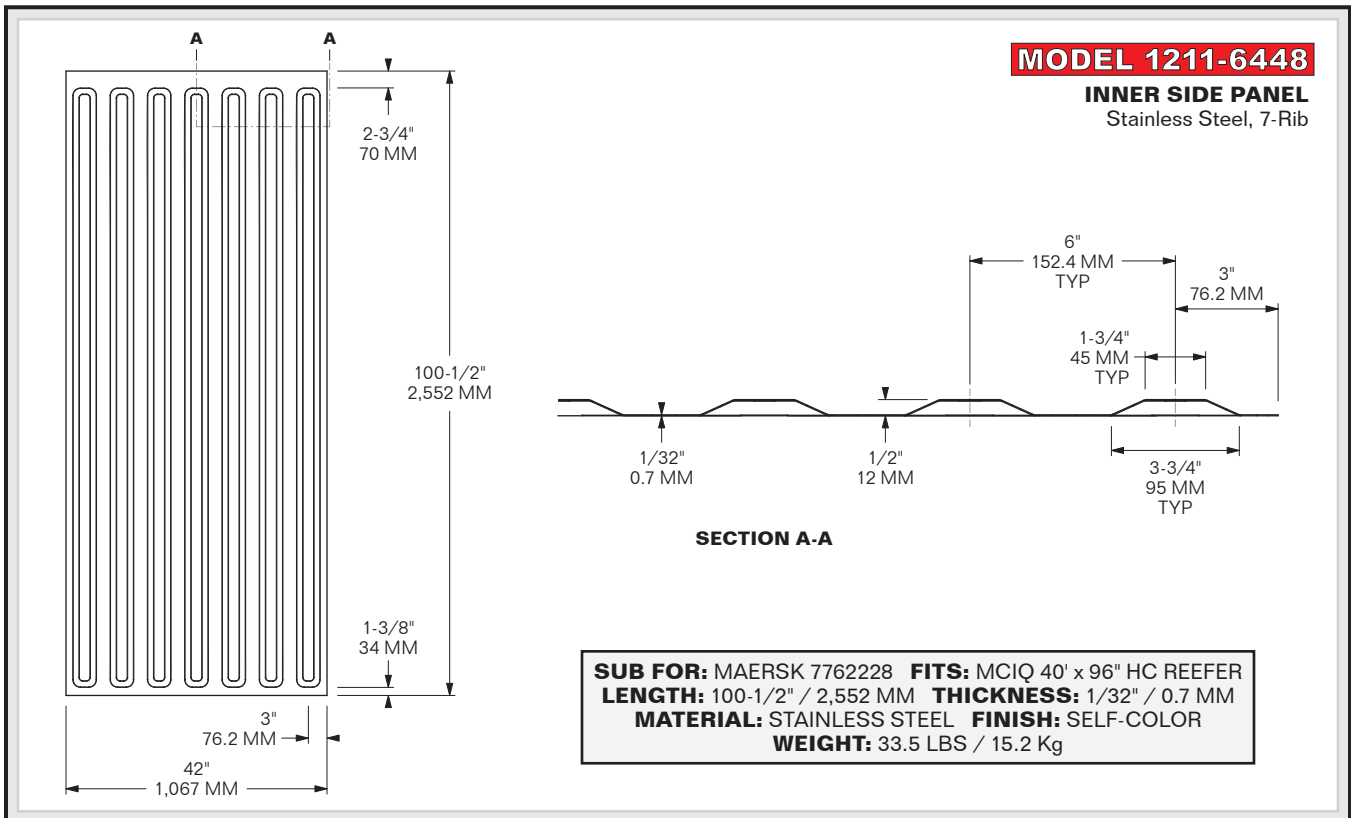
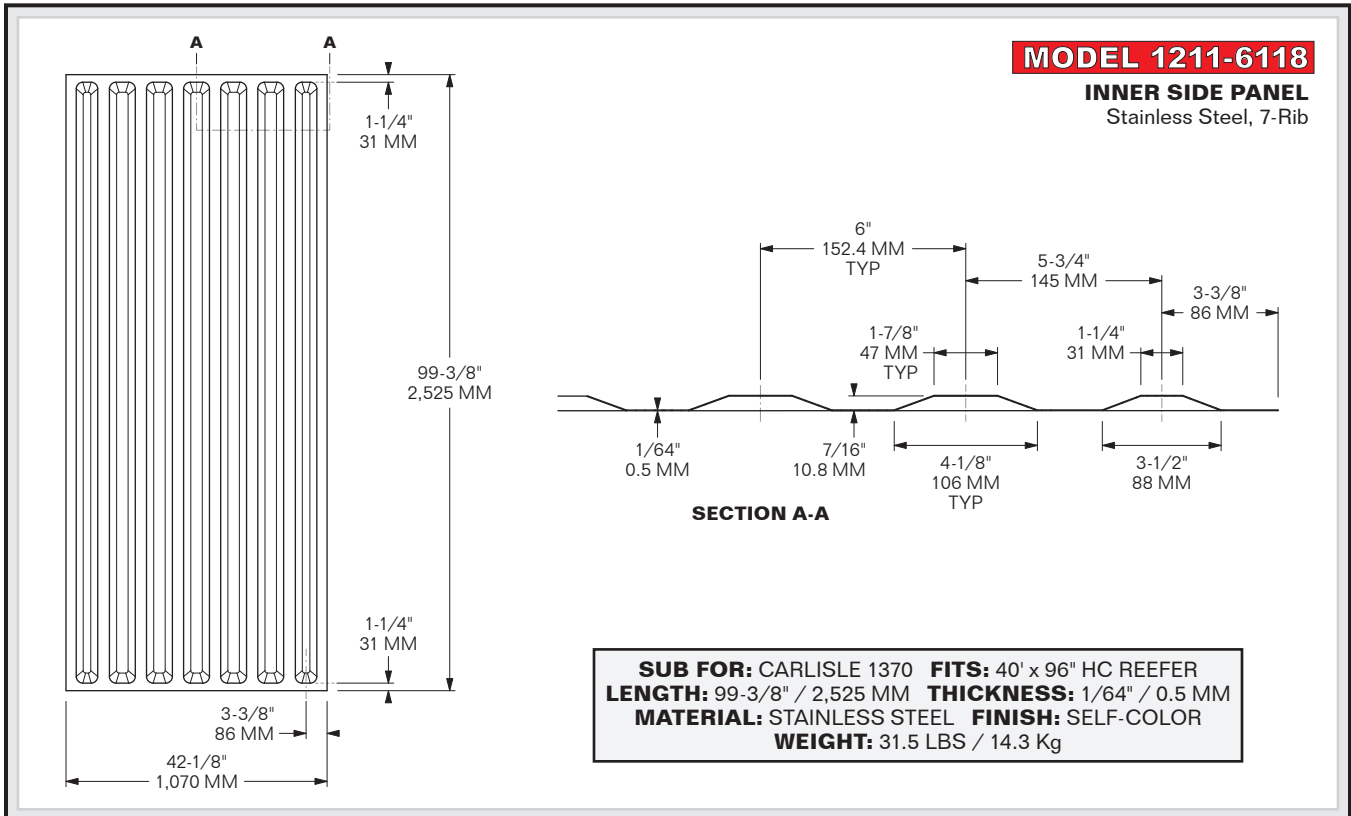
SECTION A-A

SUB FOR: REFRIGERATED CONTAINER RF-011-02
FITS: 40' x 96" HC REEFER
LENGTH: 99-3/8" / 2,524 MM **THICKNESS:** 1/32" / 0.8 MM
MATERIAL: STAINLESS STEEL **FINISH:** SELF-COLOR
WEIGHT: 32 LBS / 14.52 Kg



CONTAINER SIDE PANELS

STAINLESS STEEL (INNER), 7-RIB
REEFER CONTAINERS

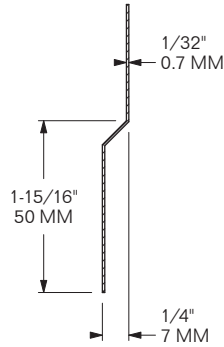
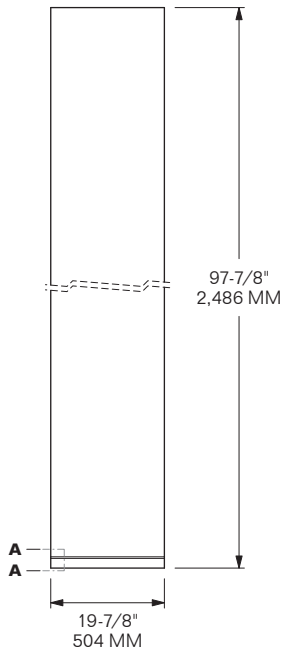




CONTAINER SIDE PANEL STAINLESS STEEL (INNER), NON-RIBBED REEFER CONTAINERS

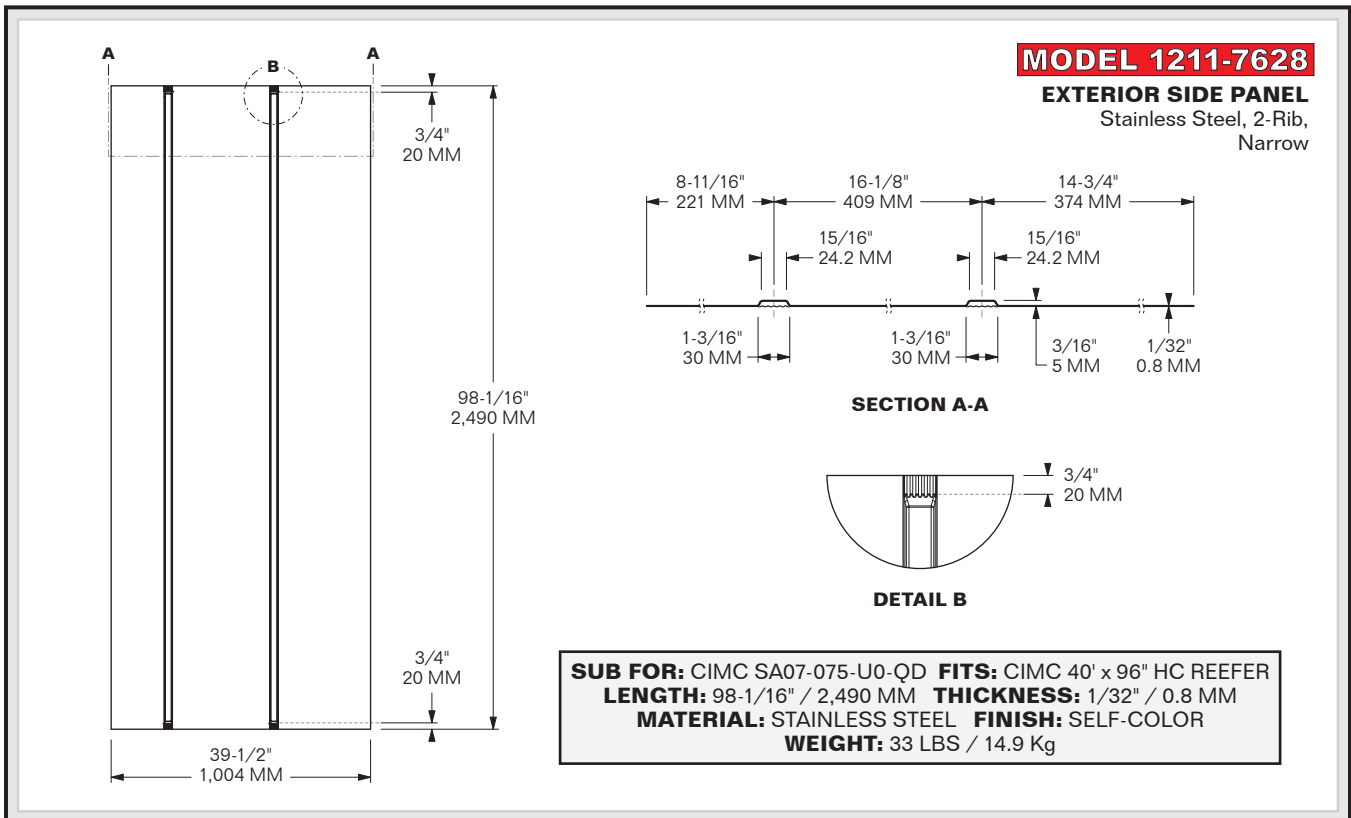
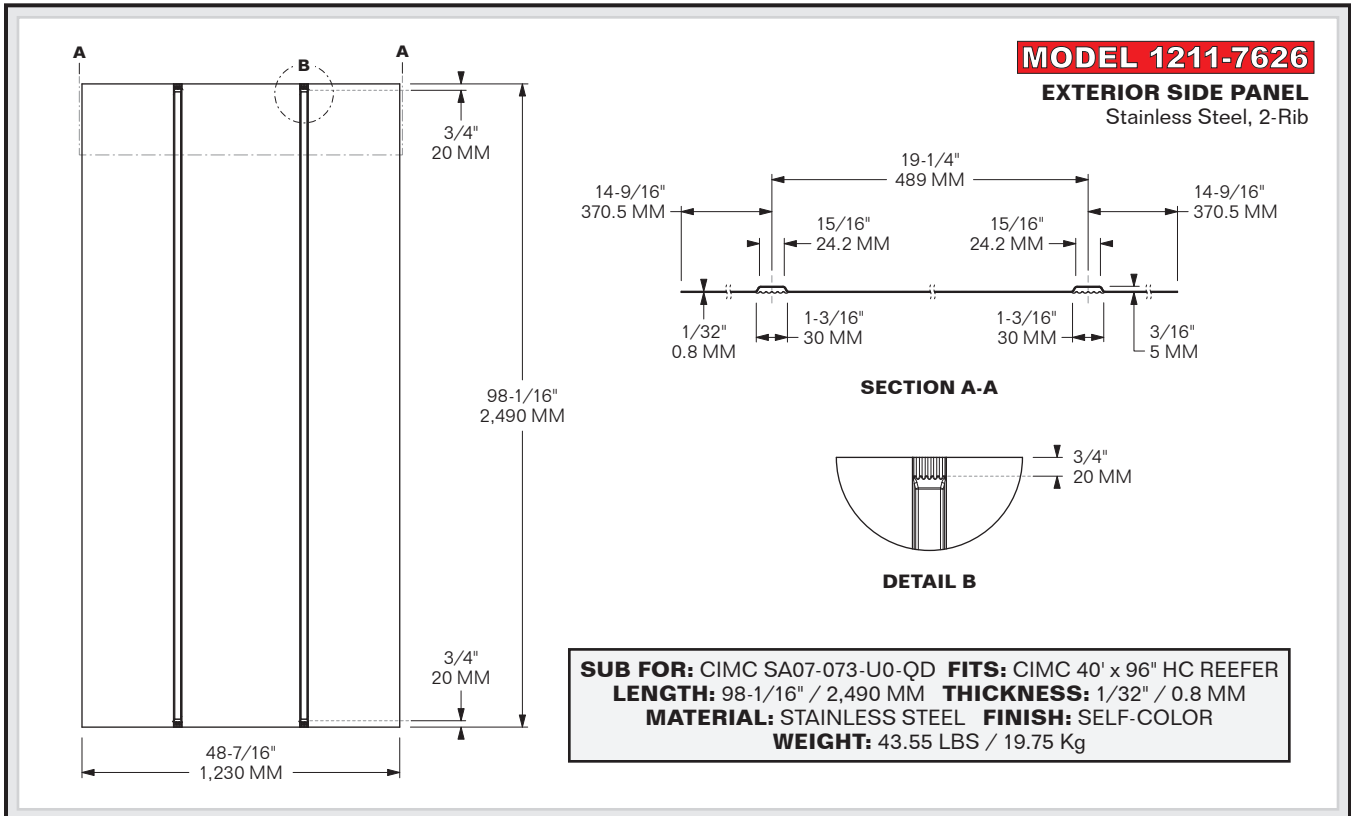
MODEL 1211-7633

INNER STARTER PANEL (Front End)
Stainless Steel, Non-Ribbed



SECTION A-A

SUB FOR: CIMC SA12-035-11-QD **FITS:** CIMC 40' x 96" HC REEFER
LENGTH: 97-7/8" / 2,486 MM **THICKNESS:** 1/32" / 0.7 MM
MATERIAL: STAINLESS STEEL **FINISH:** SELF-COLOR
WEIGHT: 14 LBS / 6.3 Kg

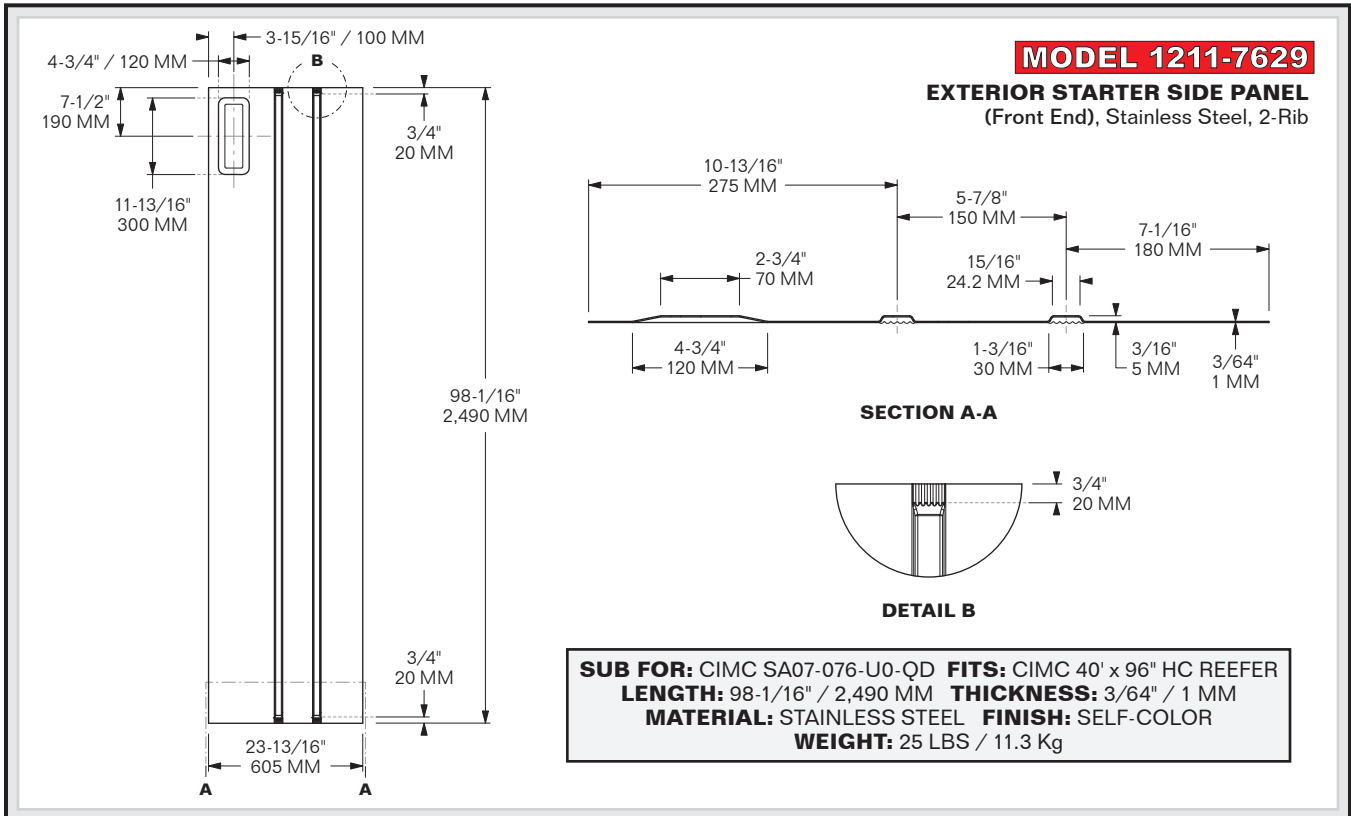




CONTAINER SIDE PANEL

STAINLESS STEEL (EXTERIOR), 2-RIB

REEFER CONTAINERS

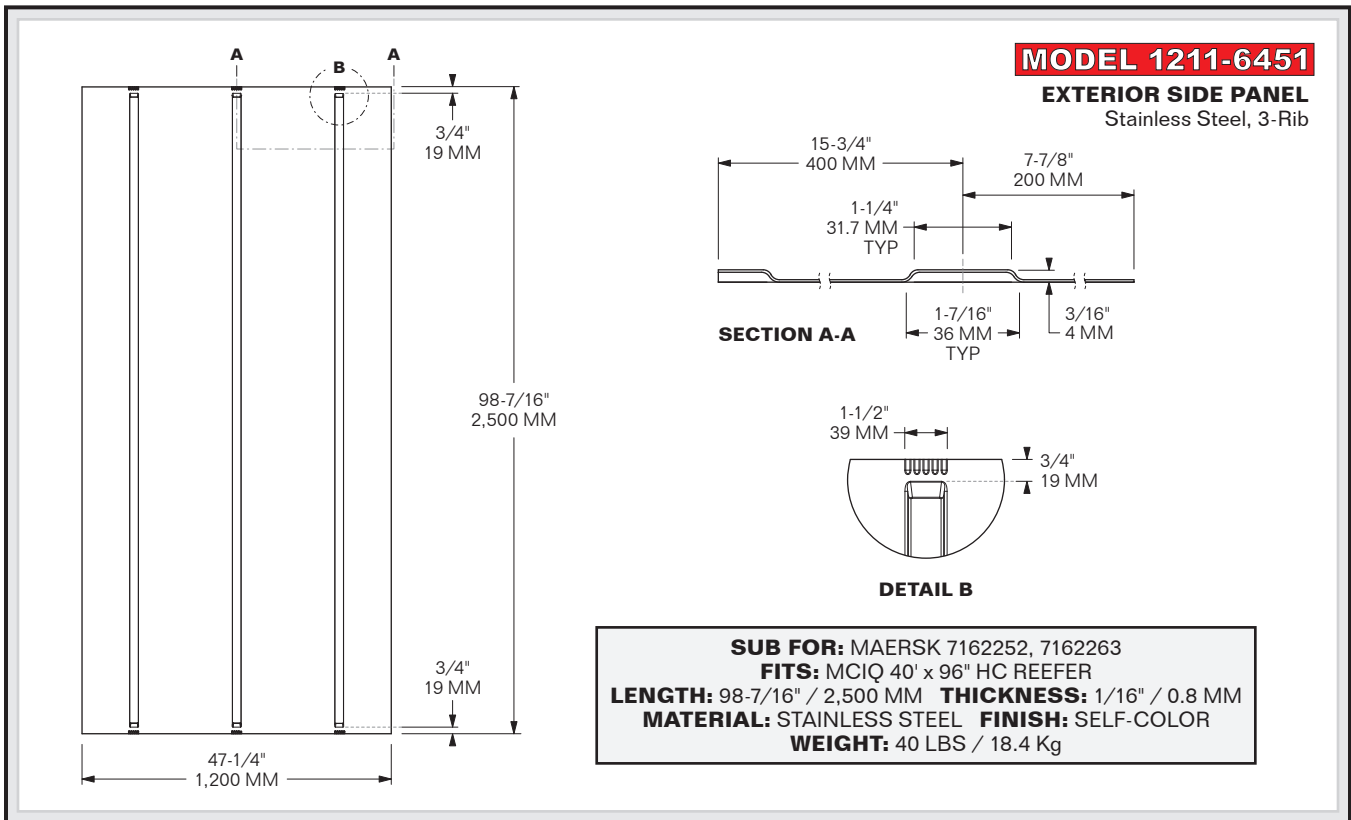
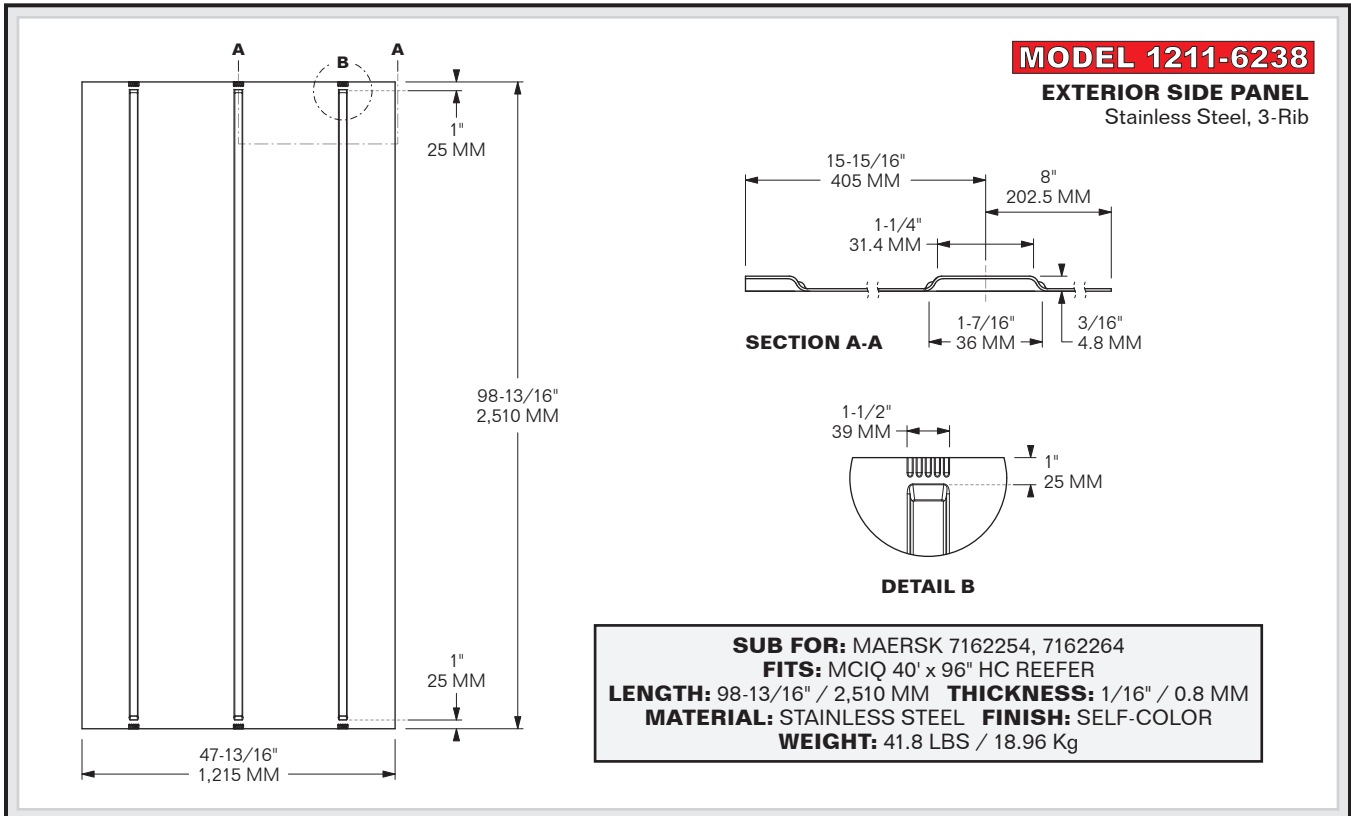


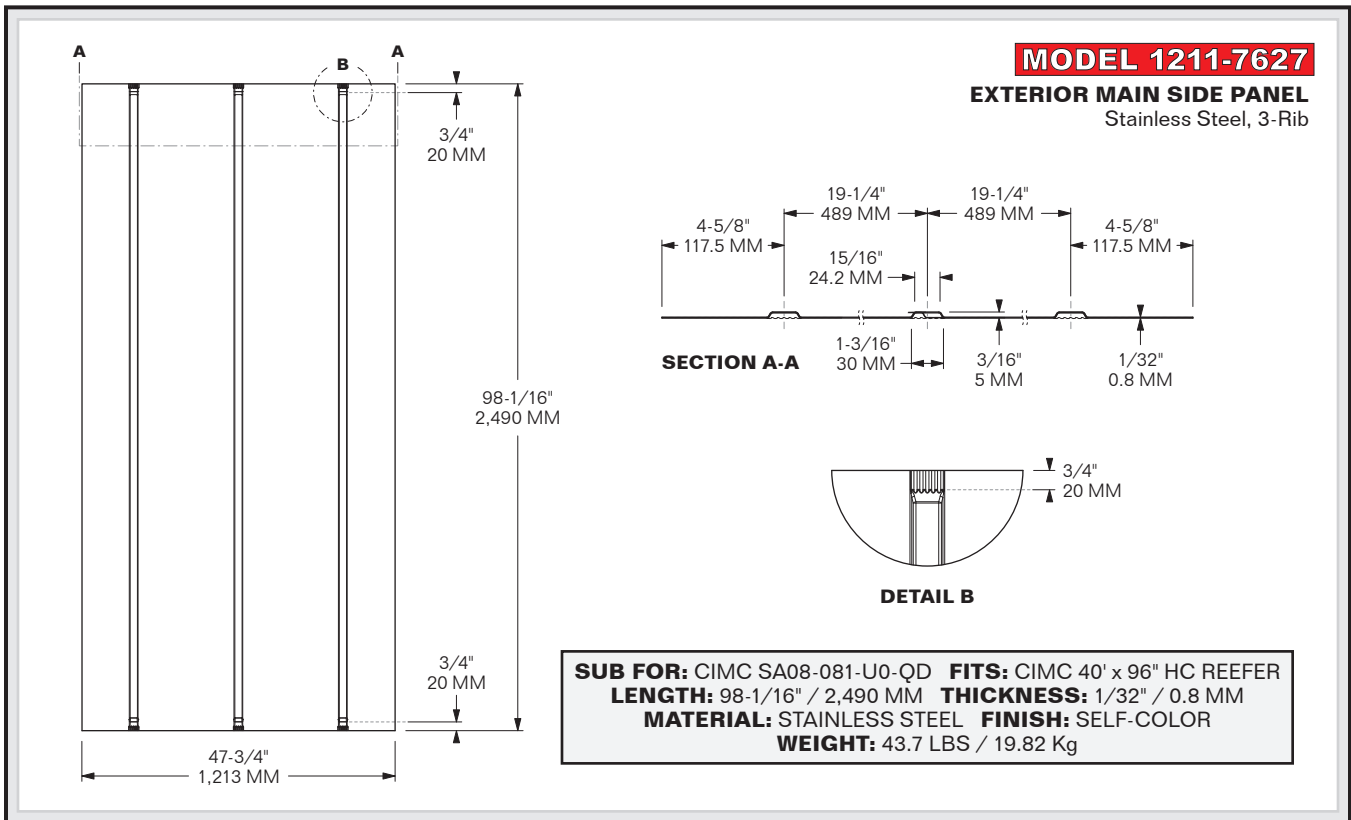
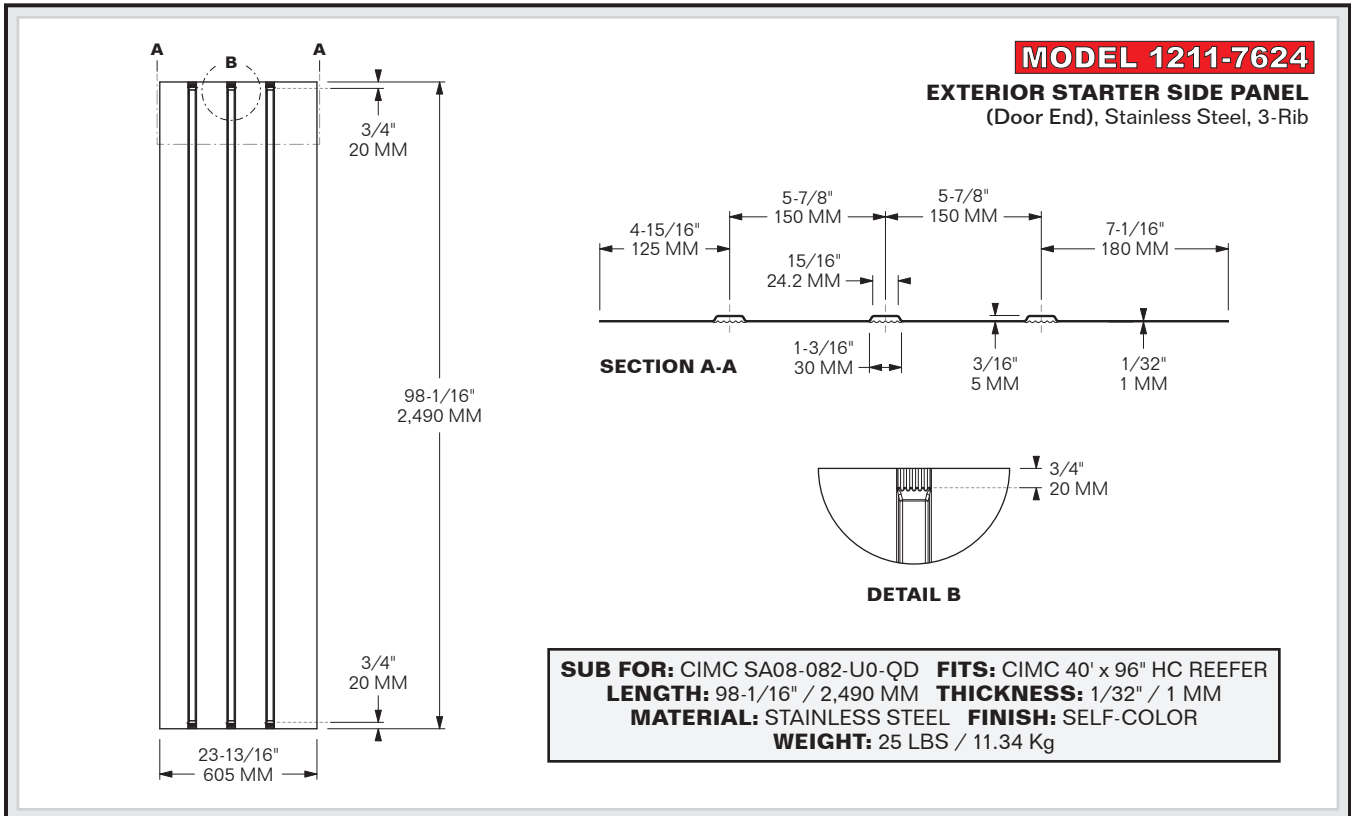


CONTAINER SIDE PANELS

STAINLESS STEEL (EXTERIOR), 3-RIB

REEFER CONTAINERS

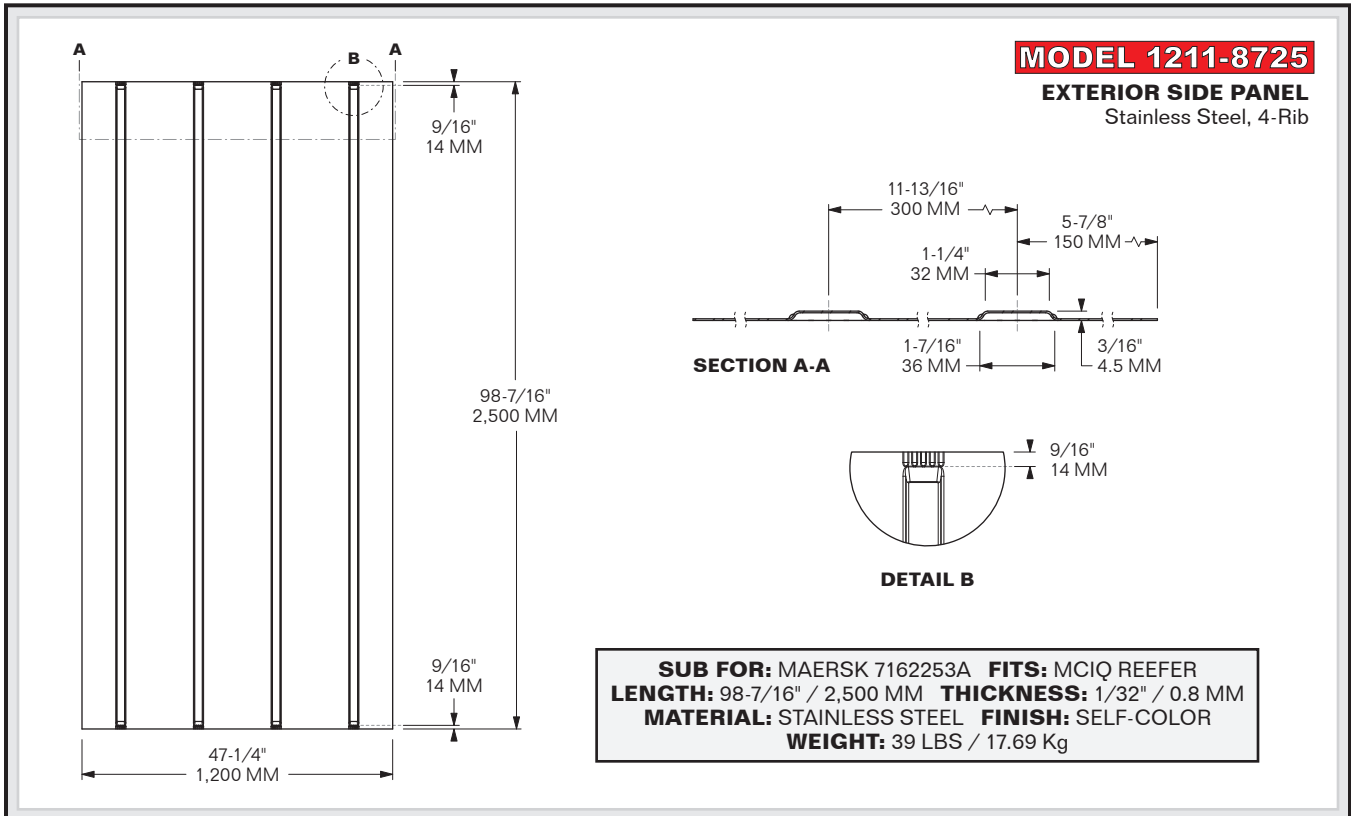






CONTAINER SIDE PANEL

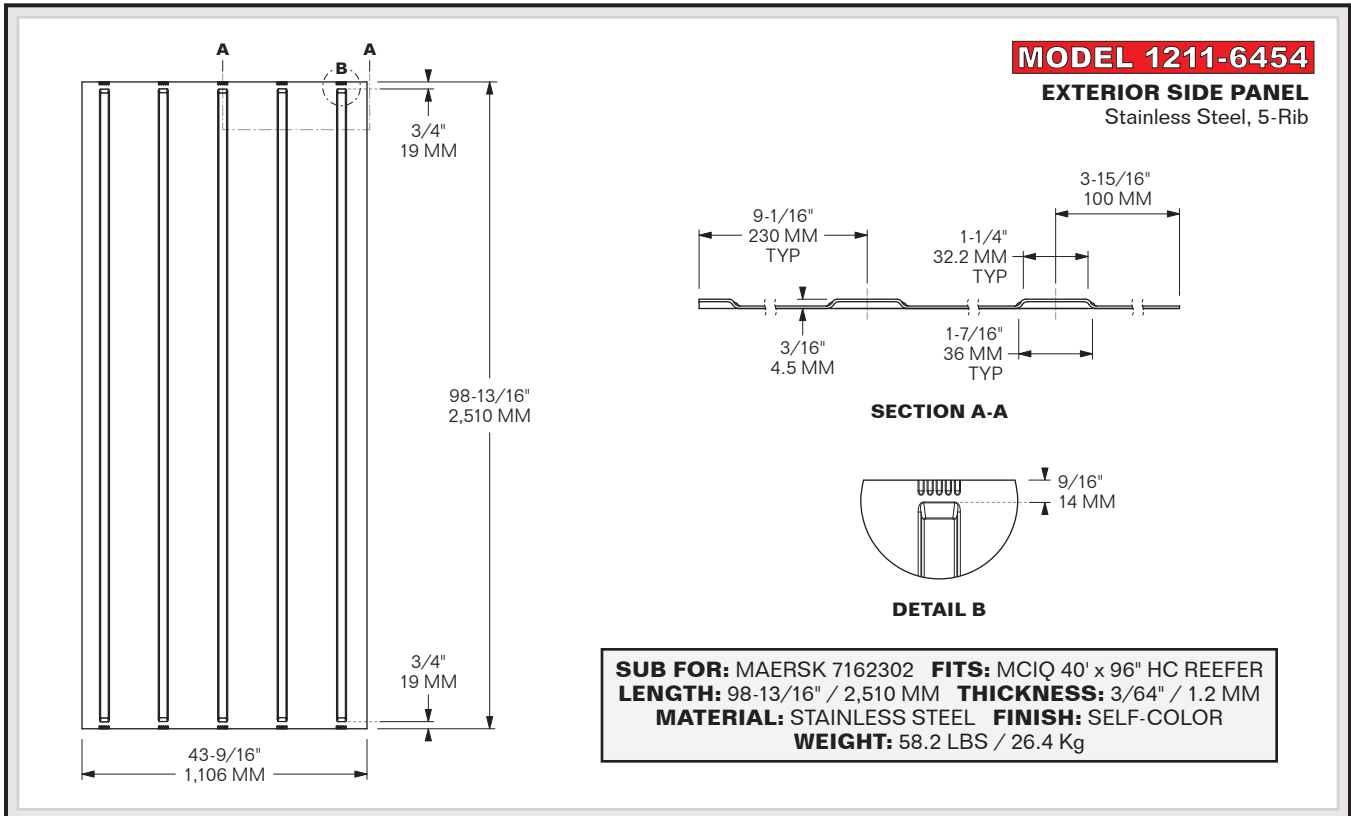
STAINLESS STEEL (EXTERIOR), 4-RIB
REEFER CONTAINERS





CONTAINER SIDE PANEL

STAINLESS STEEL (EXTERIOR), 5-RIB
REEFER CONTAINERS



SPECIAL ORDER ONLY **MODEL 1211-6239**

EXTERIOR ROOF PANEL
Stainless Steel, 3-Rib

SUB FOR: MAERSK 7772603A **FITS:** MCIQ 40' x 96' HC REEFER
LENGTH: 93-5/16" / 2,370 MM **THICKNESS:** 1/32" / 0.8 MM
MATERIAL: STAINLESS STEEL **FINISH:** SELF-COLOR
WEIGHT: 38.8 LBS / 17.6 Kg

SPECIAL ORDER ONLY **MODEL 1211-7251**

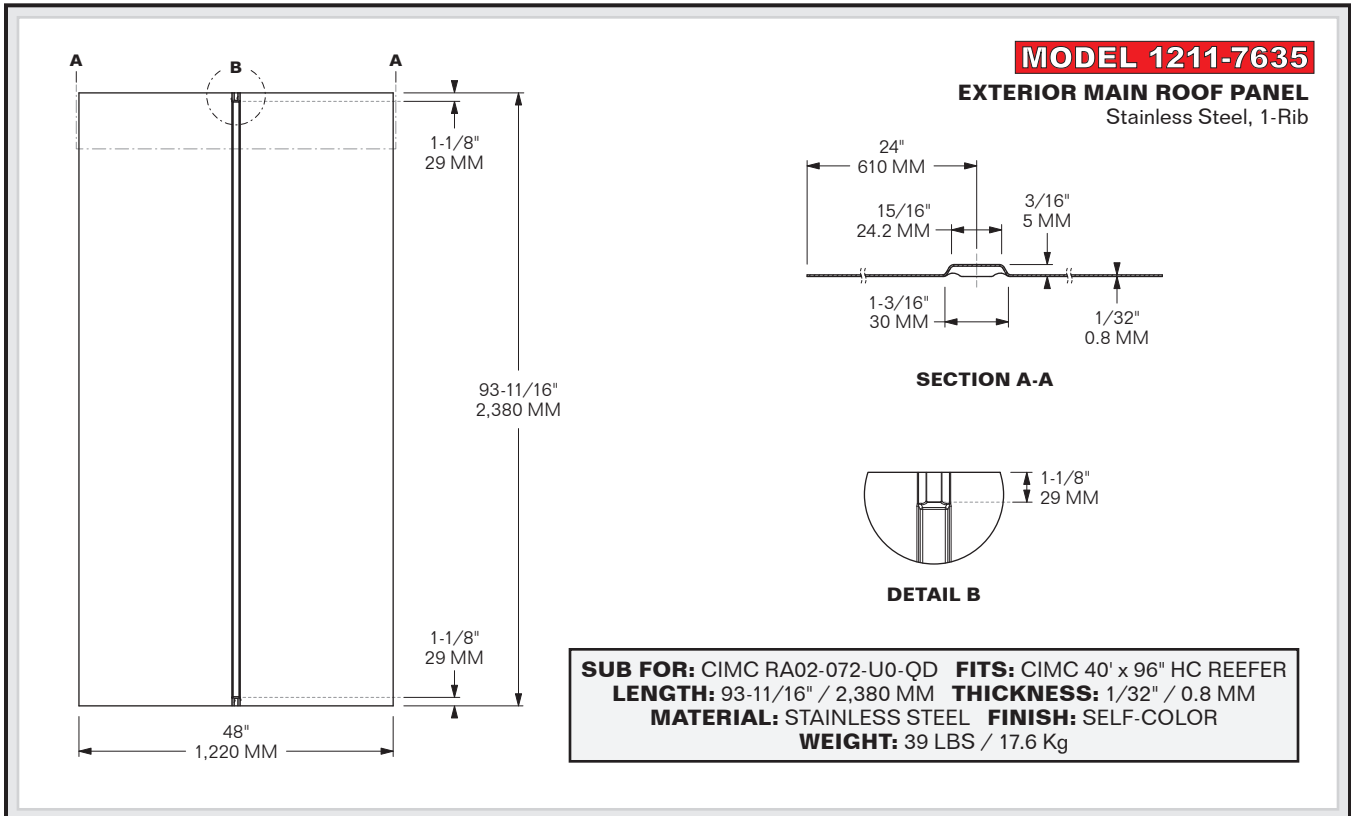
EXTERIOR MAIN ROOF PANEL
Stainless Steel, 6-Rib

SUB FOR: SINGAMAS C42480001 **FITS:** SINGAMAS 40' REEFER
LENGTH: 92-1/2" / 2,350 MM **THICKNESS:** 1/32" / 0.8 MM
MATERIAL: STAINLESS STEEL **FINISH:** SELF-COLOR
WEIGHT: 39.38 LBS / 17.86 Kg



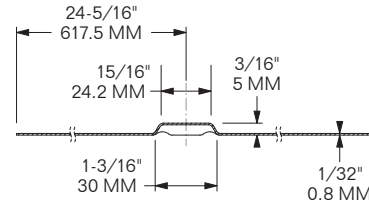
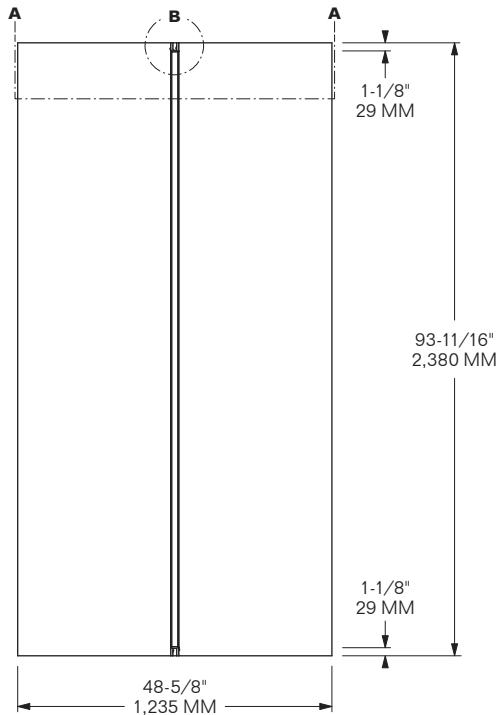
CONTAINER ROOF PANELS

STAINLESS STEEL REEFER CONTAINERS

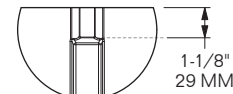


MODEL 1211-7637

EXTERIOR INTERMEDIATE ROOF PANEL
 Stainless Steel, 1-Rib



SECTION A-A



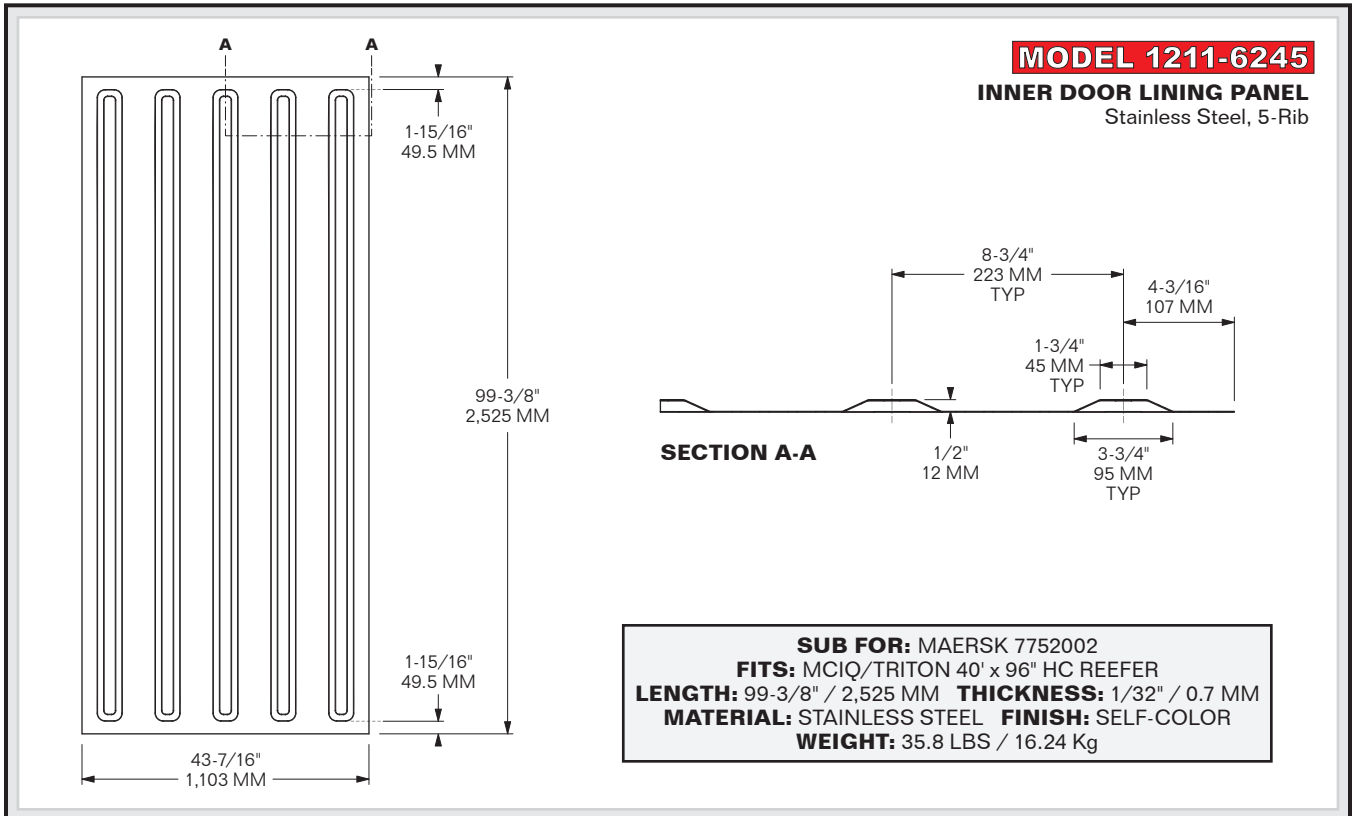
DETAIL B

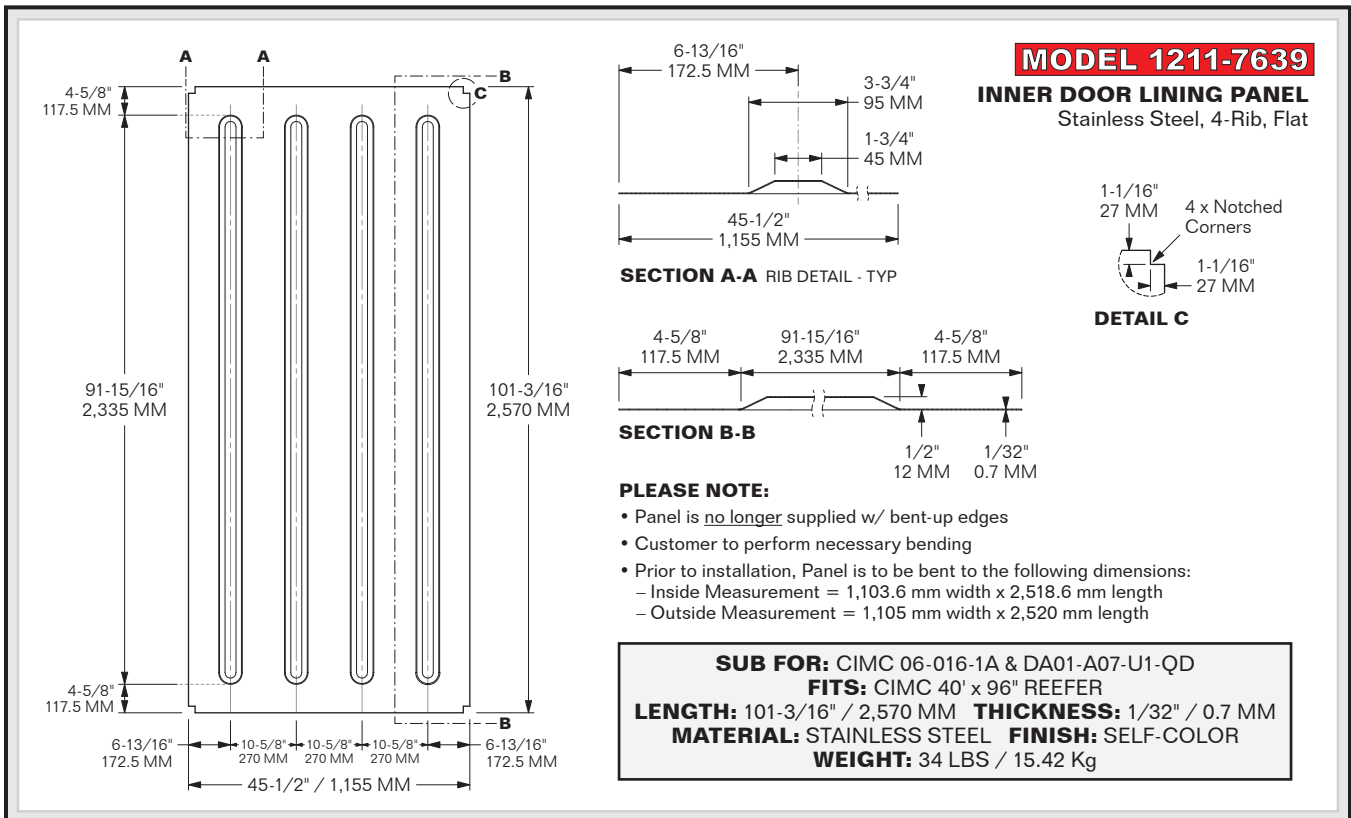
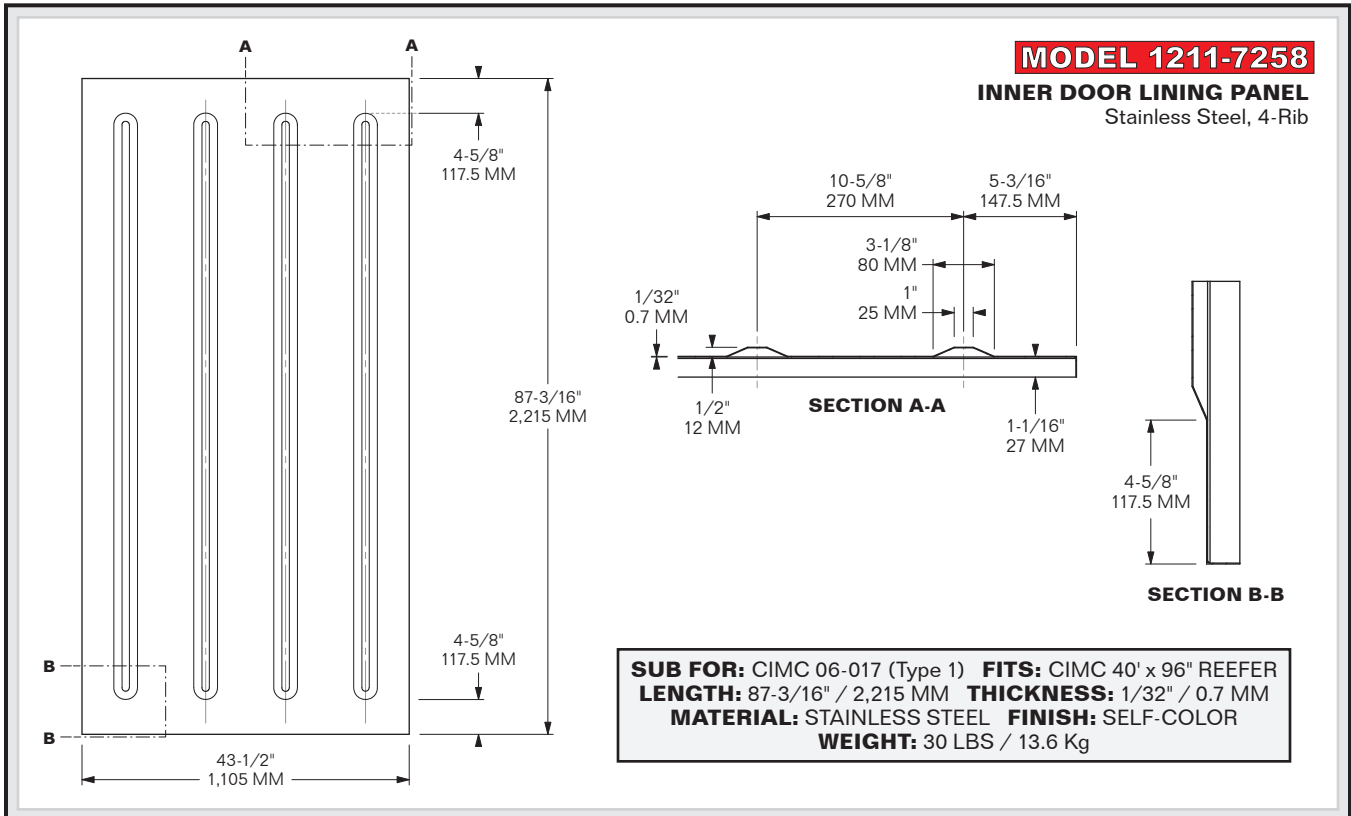
SUB FOR: CIMC RA02-017-U0-QD
FITS: CIMC 40' x 96" HC REEFER
LENGTH: 93-11/16" / 2,380 MM **THICKNESS:** 1/32" / 0.8 MM
MATERIAL: STAINLESS STEEL **FINISH:** SELF-COLOR
WEIGHT: 39 LBS / 17.7 Kg



CONTAINER DOOR PANELS

STAINLESS STEEL (INNER), 5-RIB
REEFER CONTAINERS







STAINLESS STEEL FLAT SHEETS

REEFER CONTAINERS | REEFER VAN TRAILERS

STAINLESS STEEL FLAT SHEETS

	MODEL	WIDTH	LENGTH	THICKNESS	WEIGHT
SPECIAL ORDER	MODEL 1211-6992	48" 1,219 MM	108" 2,743 MM	18 GA. / 0.048" 1.22 MM	70.12 LBS 31.81 Kg
SPECIAL ORDER	MODEL 1211-6993-409	48" 1,219 MM	108" 2,743 MM	20 GA. / 0.036" 0.914 MM	52.6 LBS 23.86 Kg
	MODEL 1211-6994-304	48" 1,219 MM	120" 3,048 MM	22 GA. / 0.029" 0.76 MM	48.57 LBS 22.03 Kg
	MODEL 1211-6995-409	48" 1,219 MM	120" 3,048 MM	20 GA. / 0.036" 0.914 MM	58.43 LBS 26.5 Kg
SPECIAL ORDER	MODEL 1211-6995-304-PVC *	48" 1,219 MM	120" 3,048 MM	20 GA. / 0.036" 0.914 MM	59.64 LBS 27.05 Kg
SPECIAL ORDER	MODEL 1211-6997	48" 1,219 MM	120" 3,048 MM	16 GA. / 0.059" 1.52 MM	97.06 LBS 44.03 Kg



MATERIAL: STAINLESS STEEL, except:
***6995-304-PVC MATERIAL:** GRADE 304SS w/ PVC PROTECTION
FINISH: SELF-COLOR

